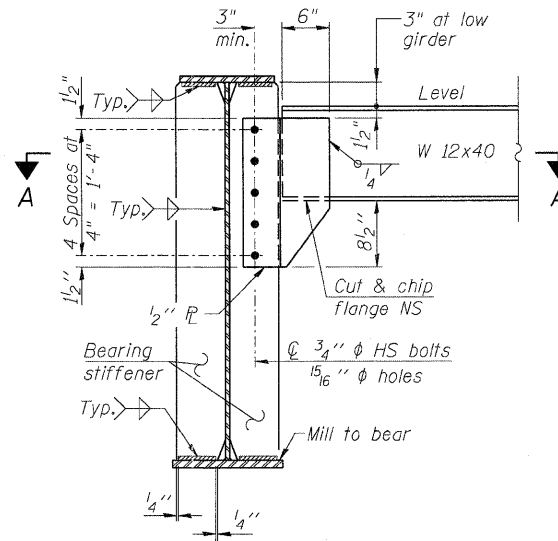
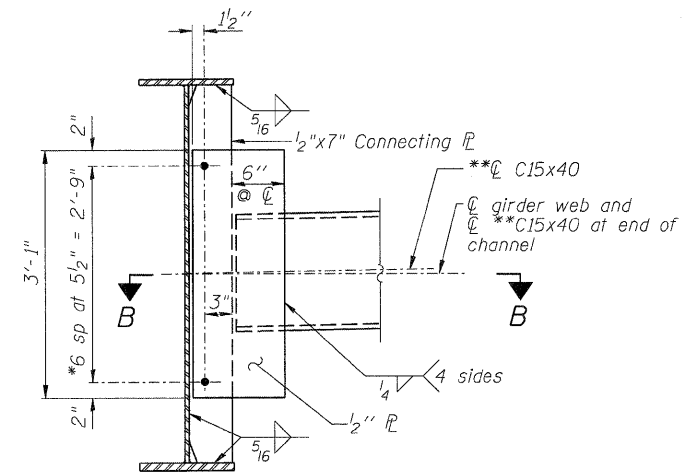


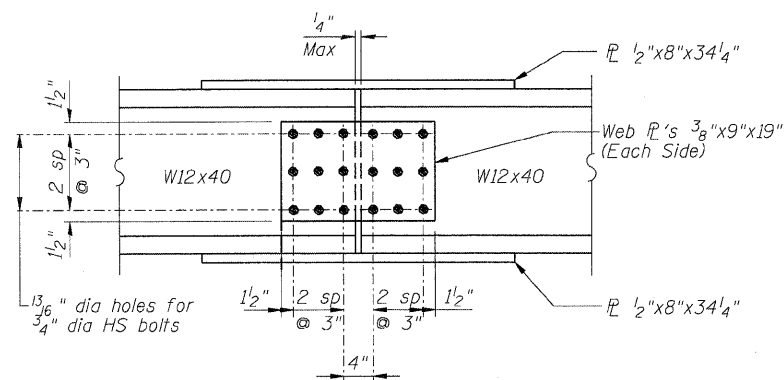
END DIAPHRAGM AT STAGE CONSTRUCTION JOINT
(2 required)



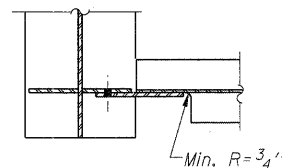
END DIAPHRAGM
(16 required)



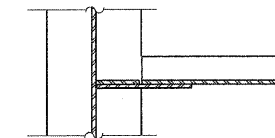
INTERIOR DIAPHRAGM
(486 required)



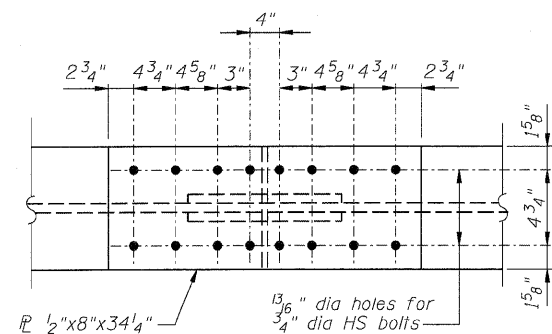
END DIAPHRAGM WEB SPLICE PLATE



SECTION A-A



SECTION B-B



TOP & BOTTOM FLANGE SPLICE PLATE

STAGE CONSTRUCTION FIELD SPLICE DETAIL

END DIAPHRAGM STAGE CONSTRUCTION SEQUENCE

- 1.) Order diaphragm in two sections.
- 2.) Attach section ① of diaphragm to girder 6.
- 3.) Place timber block posts between section ① of diaphragm and abutment bearing section.
- 4.) Attach section ② of diaphragm to both girder 5 and section ① of diaphragm during stage II construction with splice plates.
- 5.) Remove timber block posts.

NOTES:

Two hardened washers required for each set of oversized holes.

* 3/4" ϕ HS bolts, 1 5/16" ϕ holes. For diaphragms at staged construction line, use slotted 1 3/16" x 1 7/8" holes at one end of bracing and 1 5/16" ϕ oversized holes at other end for both diaphragm connection plates and full depth girder connection plates. Fabricator to detail to allow at least 2 1/2" of vertical movement. Bolts shall be finger tight until Stage II pour is complete. Position slots so bolts start at one end with no concrete load and finish near opposite end under deck load.

** Alternate channels C15x50 are permitted to facilitate material acquisition. Calculated weight of structural steel is based on C15x40 sections. The alternate, if utilized, shall be provided at no extra cost to the Department.

All diaphragms shall be installed as steel is erected and secured with erection pins and bolts except as otherwise noted. Individual diaphragms at supports may be temporarily disconnected to install bearing anchor rods.

FILE NAME =
D264990-sh-fmgd1s3.dgn

USER NAME = dwoznicki
PLOT SCALE = 10.0000' / IN.
PLOT DATE = 7/18/2011

DESIGNED - ACB
CHECKED - JMB
DRAWN - RLK
CHECKED - ACB

REVISED -
REVISED -
REVISED -
REVISED -

**STATE OF ILLINOIS
DEPARTMENT OF TRANSPORTATION**

**FRAMING DETAILS (SHEET 3 OF 4)
STRUCTURE NO. 098-0115**

SHEET NO. 59 OF 103 SHEETS

F.A.P. RTE.	SECTION	COUNTY	TOTAL SHEETS	SHEET NO.
646	1B-2	WHITESIDE	257	162
			CONTRACT NO. 64B80	
ILLINOIS FED. AID PROJECT				