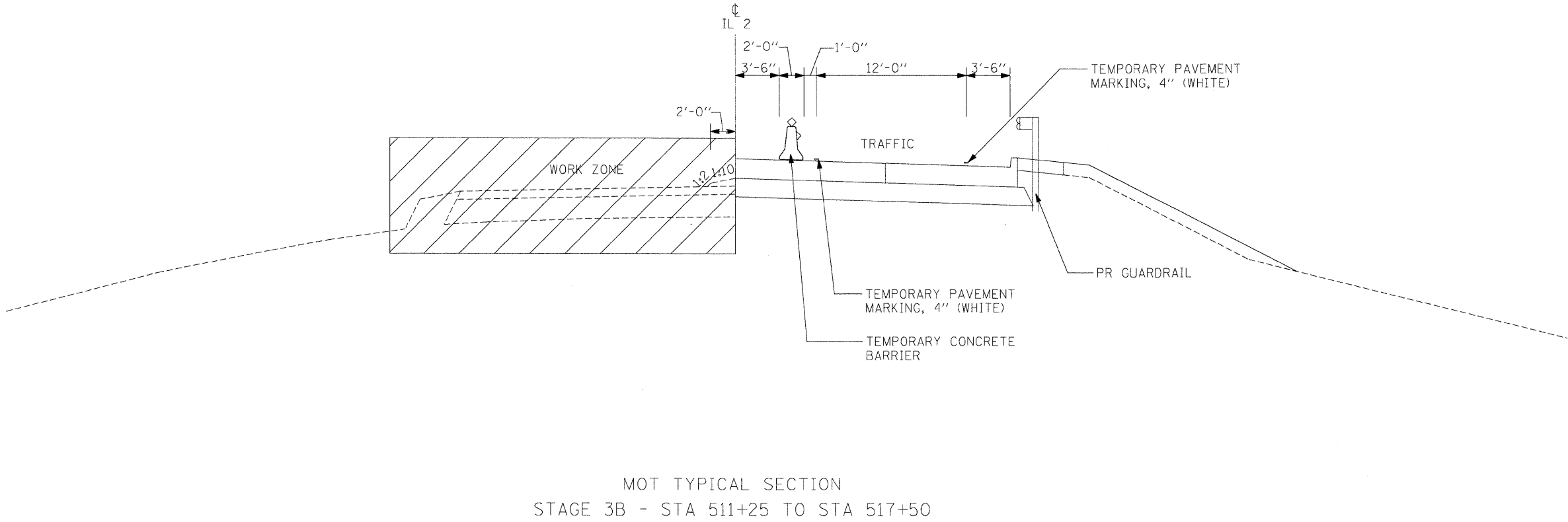
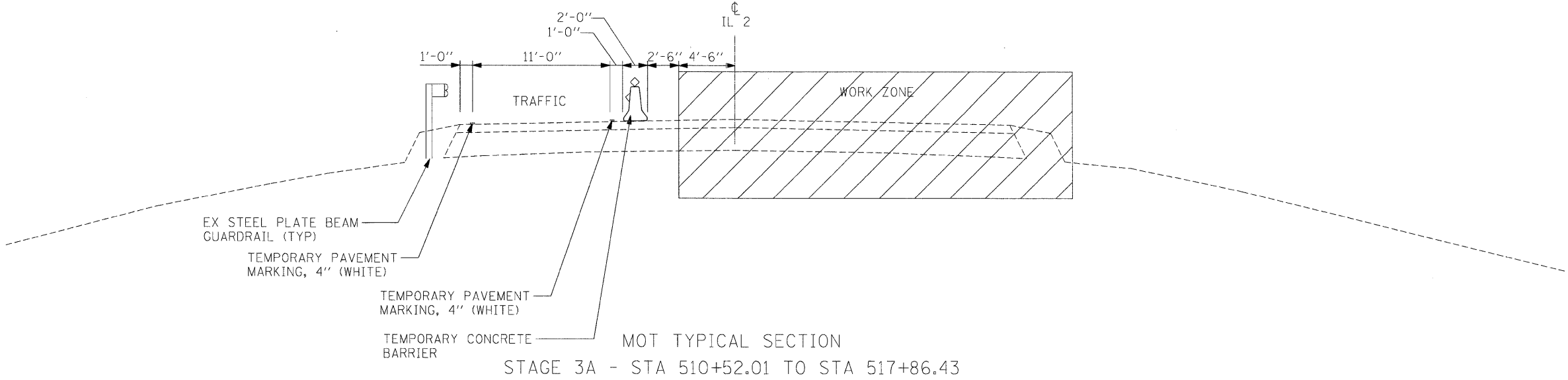


TYPICAL MOT SECTIONS



FILE NAME =	ts\5015-phase1\1-2&1-26\civil\IL-2\CAD	DESIGNED - MTM	REVISED -	STATE OF ILLINOIS DEPARTMENT OF TRANSPORTATION	IL 2 OVER THE BNSF RAILROAD TYPICAL MOT SECTIONS	F.A.P. RTE.	SECTION	COUNTY	TOTAL SHEETS	SHEET NO.	
USER NAME = .USER.	Sheets\0264016-sh1-MOT tpical.dgn	DRAWN - MTM	REVISED -			742	38VBR-1	OGLE	87	22	
PLOT SCALE = #SCALE#		CHECKED - KK	REVISED -			CONTRACT NO. 64D16					
PLOT DATE = 8/18/2011		DATE - 8/2/2011	REVISED -			ILLINOIS FED. AID PROJECT					