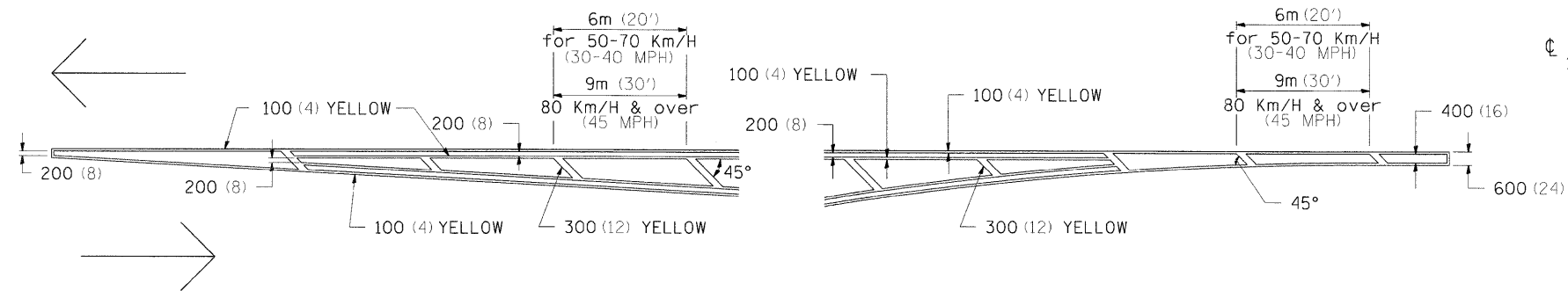
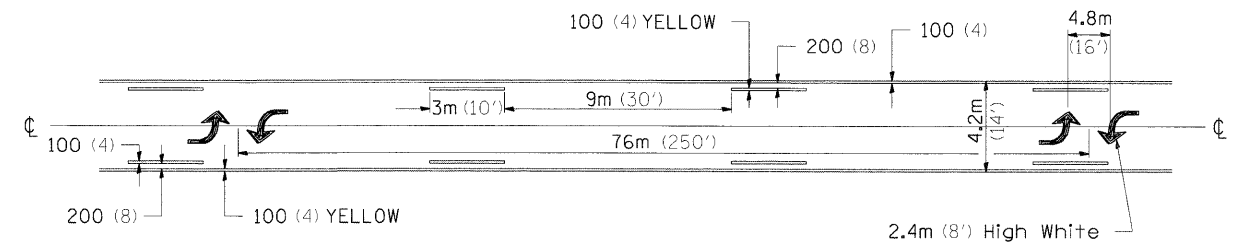


TYPICAL PAVEMENT MARKINGS

TYPICAL PAVEMENT MARKING FOR FLUSH MEDIAN AT LEFT TURN LANE

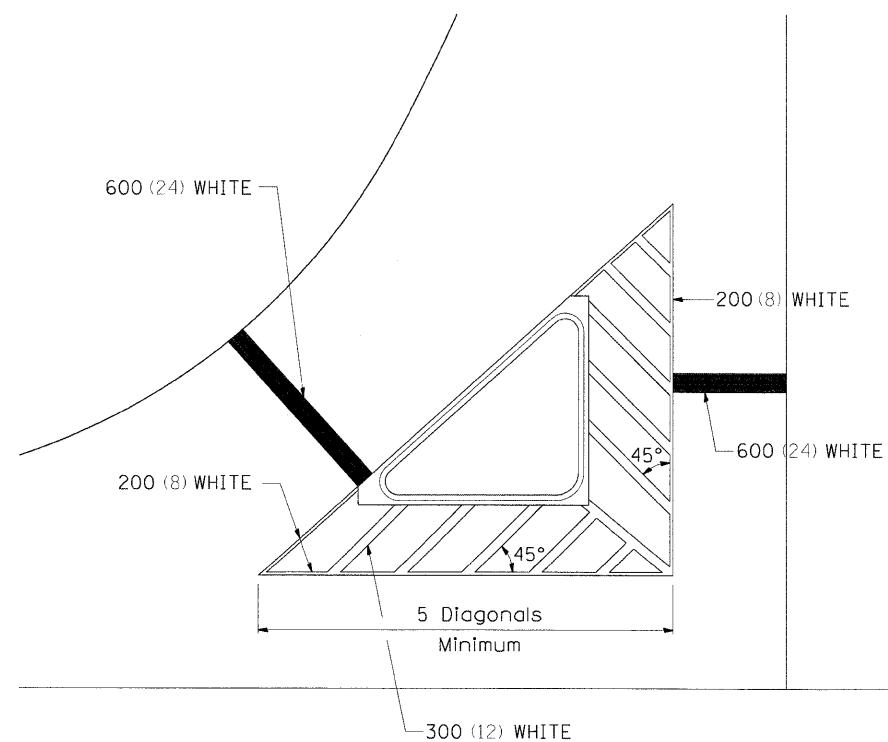


MEDIAN PAVEMENT MARKING

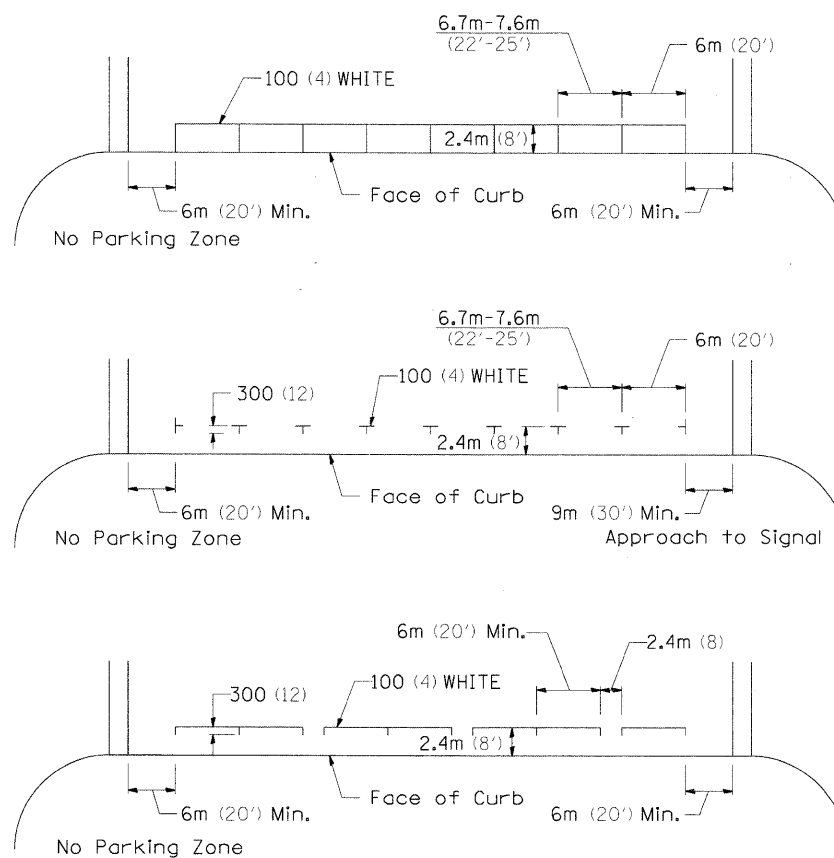


•• ALL DIMENSIONS ARE IN MILLIMETERS (INCHES) UNLESS OTHERWISE NOTED.

TYPICAL ISLAND OFFSET SHOULDER WIDTH

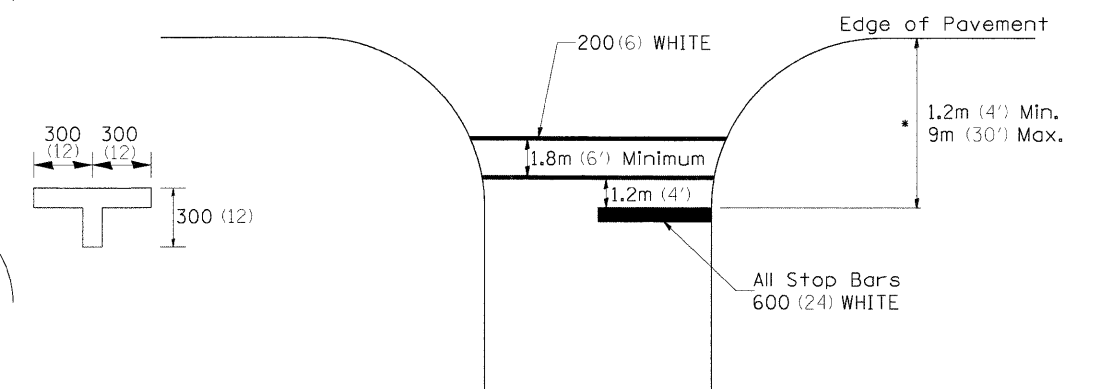


TYPICAL PARKING SPACING



STANDARD CROSSWALK MARKING

See Schedules for Locations



• Distance to the nearest edge of the intersecting roadway in the absence of a marked crosswalk.

FILE NAME =	USER NAME = .USER.	DESIGNED -	REVISED - 10-21-08	STATE OF ILLINOIS DEPARTMENT OF TRANSPORTATION	REGION 2 / DISTRICT 2 STANDARD	F.A.P. RTE.	SECTION	COUNTY	TOTAL SHEETS	SHEET NO.	
U:\5015-projects\11-2&11-20\civil\11-2\CADD	Sheets\0264016-shr-Details.dgn	DRAWN -	REVISED -			742	38VBR-1	OGLE	87	36	
PLCT SCALE = #SCALE#		CHECKED -	REVISED -			CONTRACT NO. 64D16					
PLCT DATE = 8/18/2011		DATE -	REVISED -			FED. ROAD DIST. NO. ILLINOIS FED. AID PROJECT					