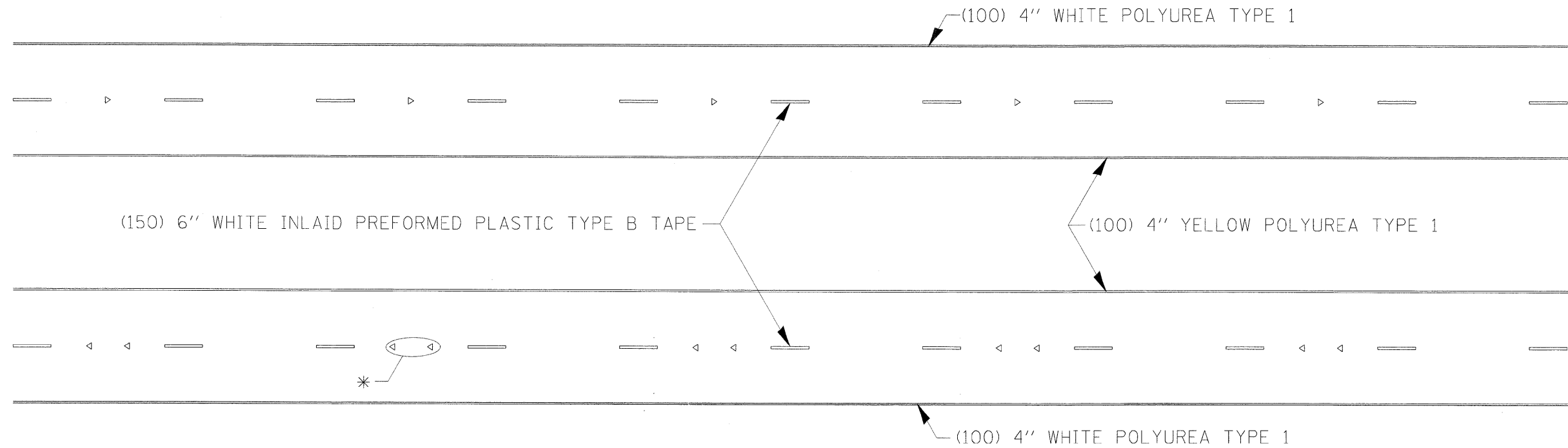
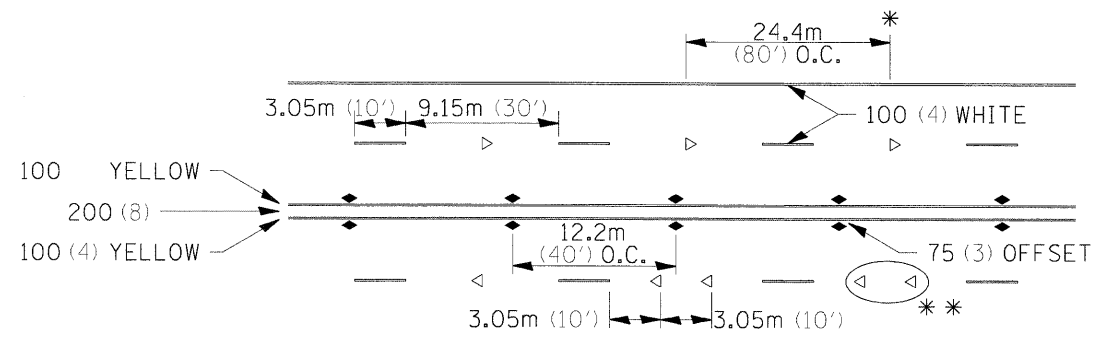


TYPICAL PAVEMENT MARKINGS



* SEE HIGHWAY STANDARD 781001 FOR SPACING DETAILS.
USE DOUBLE MARKERS WHEN ADT \geq 25,000.

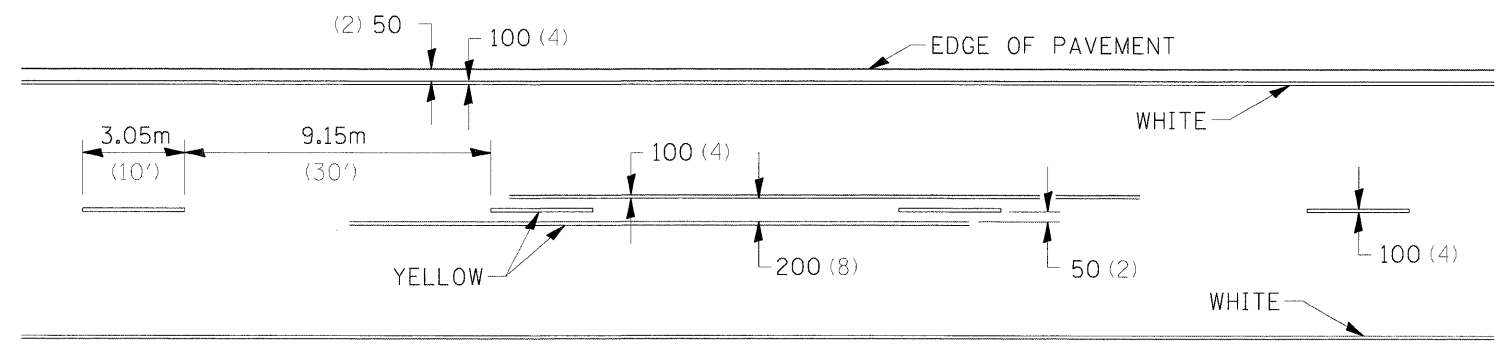
MULTI-LANE / DIVIDED



* REDUCE TO 12.2m (40') O.C. ON CURVES WHERE ADVISORY SPEEDS ARE 15km/H (10MPH) LOWER THAN POSTED SPEEDS.
** USE DOUBLE MARKERS WHEN ADT \geq 25,000

MULTI-LANE / UNDIVIDED

TYPICAL PAVEMENT MARKING FOR TWO LANE SECTION - NO PASSING ZONES



SYMBOLS

FILE NAME =	USER NAME = .USER.	DESIGNED -	REVISED - 10-21-08	STATE OF ILLINOIS DEPARTMENT OF TRANSPORTATION	REGION 2 / DISTRICT 2 STANDARD	F.A.P. RTE.	SECTION	COUNTY	TOTAL SHEETS	SHEET NO.	
ts\5015-phase1\1-2&1-26\civil\1-2\CADD	Sheets\0264016-shr-Detail.dgn	DRAWN -	REVISED -			742	3BVBR-1	OGLE	87	38	
	PLOT SCALE = #SCALE#	CHECKED -	REVISED -			CONTRACT NO. 64D16					
	PLOT DATE = 8/18/2011	DATE -	REVISED -			ILLINOIS FED. AID PROJECT					