

**GENERAL NOTES**

- Fasteners shall be AASHTO M164 Type 1, mechanically galvanized bolts. Bolts 7/8-in.  $\phi$ , holes 15/16-in.  $\phi$ , unless otherwise noted.
- Calculated weight of Structural Steel M270 Grade 36 = 27,900 lbs. Calculated weight of Structural Steel Grade 50\*\* = 468,970 lbs.
- No field welding is permitted except as specified in the contract documents.
- Reinforcement bars shall conform to the requirements of ASTM A 706 Gr 60. See Special Provisions.
- Reinforcement bars designated (E) shall be epoxy coated.
- Bearing seat surfaces shall be constructed or adjusted to the designated elevations within a tolerance of 1/8 inch (0.01 ft.). Adjustment shall be made either by grinding the surface or by shimming the bearings.
- The Inorganic Zinc Rich Primer / Acrylic / Acrylic Paint System shall be used for shop and field painting of new structural steel except where otherwise noted. The color of the final finish coat for all interior steel surfaces shall be Gray, Munsell No. 5B 7/1. The color of the final finish coat for the exterior and bottom flange of the fascia beams shall be Blue, Munsell No. 10B 3/6. See Special Provision for "Cleaning and Painting New Metal Structures".
- Slipforming of parapets will not be allowed.

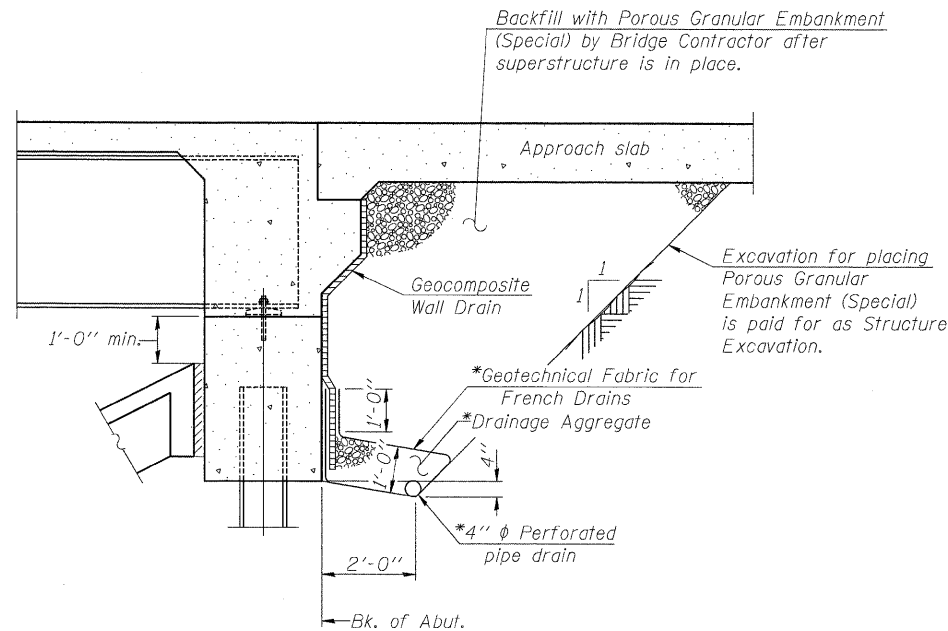
**INDEX OF SHEETS**

- General Plan and Elevation
- General Notes, Index of Sheets & Bill of Material
- Staging Details
- Top of Slab Elevation Plan
- Top of Slab Elevations I
- Top of Slab Elevations II
- Top of Slab Elevations III
- Top of South Approach Slab Elevations
- Top of North Approach Slab Elevations
- Deck Plan & Cross Section
- Integral Abutment Diaphragm Details
- Superstructure Details
- Bridge Approach Slab Details I
- Bridge Approach Slab Details II
- Framing Plan
- Structural Steel Details I
- Structural Steel Details II
- North Abutment Plan & Elevation
- South Abutment Plan & Elevation
- Pier 1
- Pier 2
- HP Pile Details
- Bar Splicer Assembly Details
- Temporary Concrete Barrier
- Soil Boring Logs I
- Soil Boring Logs II

**TOTAL BILL OF MATERIAL**

ITEM	UNIT	SUPER	SUB	TOTAL
Porous Granular Embankment (Special)	Cu. Yd.		246	246
Removal of Existing Structures	Each			1
Protective Shield	Sq. Yd.	500		500
Structure Excavation	Cu. Yd.		821	821
Concrete Structures	Cu. Yd.		317.3	317.3
Concrete Superstructure	Cu. Yd.	639.7		639.7
Bridge Deck Grooving	Sq. Yd.	1730		1730
Concrete Encasement	Cu. Yd.		5.6	5.6
Protective Coat	Sq. Yd.	2103		2103
** Furnishing and Erecting Structural Steel	L. Sum	1		1
Stud Shear Connectors	Each	5850		5850
Reinforcement Bars, Epoxy Coated	Pound	156,320	38,500	194,820
Bar Splicers	Each	1357	246	1603
Slopedwall, 4 inch	Sq. Yd.		594	594
Furnishing Steel Piles HP 10x42	Foot		154	154
Furnishing Steel Piles HP 12x53	Foot		483	483
Driving Piles	Foot		637	637
Test Pile Steel HP 10x42	Each		1	1
Test Pile Steel HP 12x53	Each		1	1
Name Plates	Each	1		1
Anchor Bolt, 1"	Each	24		24
Anchor Bolt, 1 1/4"	Each	24		24
Geocomposite Wall Drain	Sq. Yd.		112	112
Pipe Underdrains for Structures, 4 inch	Foot		144	144
Asbestos Bearing Pad Removal	Each	60		60
Temporary Soil Retention System	Sq. Ft.		2862	2862

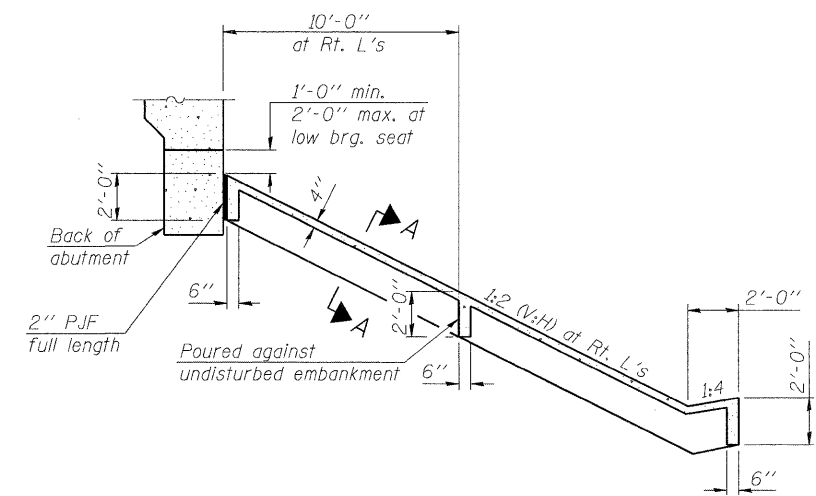
\*\* See Special Provision for Structural Steel for Bridges



**SECTION THRU INTEGRAL ABUTMENT**  
(Horiz. dim. @ Rt. L's)

\*Included in the cost of Pipe Underdrains for Structures 4"

Note:  
All drainage system components shall extend to 2'-0" from the end of each wingwall except an outlet pipe shall extend until intersecting with the side slopes. The pipes shall drain into concrete headwalls. (See Article 601.05 of the Standard Specifications and Highway Standard 601101).



**SECTION THRU SLOPEWALL**

Slopedwall shall be reinforced with welded wire fabric, 6" x 6" - W4.0 x W4.0, weighing 58 lbs. per 100 sq. ft.  
See Sheet 1 of 26 for Section A-A.

I:\5015-Phase11-28\1-26-Struct\vdgn\12.dgn\0710097-64D16-002-GN-BM.dgn

<b>LOCHNER</b> F.W. LOCHNER, INC. CONSULTING ENGINEERS AND PLANNERS 20 N. WACKER DRIVE, SUITE 1200 CHICAGO, ILLINOIS 60606	USER NAME =	DESIGNED - GWS	REVISED -	<b>STATE OF ILLINOIS</b> <b>DEPARTMENT OF TRANSPORTATION</b>	<b>GENERAL NOTES, INDEX OF SHEETS &amp; BILL OF MATERIAL</b> <b>STRUCTURE 071-0097</b>	F.A.P. RTE.	SECTION	COUNTY	TOTAL SHEETS	SHEET NO.
	FILE NAME = 0710097-64D16-002-GN-BM.dgn	CHECKED - CMM	REVISED -			742	38VBR-1	OGLE	87	63
	PLOT SCALE =	DRAWN - EF	REVISED -			CONTRACT NO. 64D16				
PLOT DATE =	CHECKED - CMM	REVISED -	ILLINOIS FED. AID PROJECT							