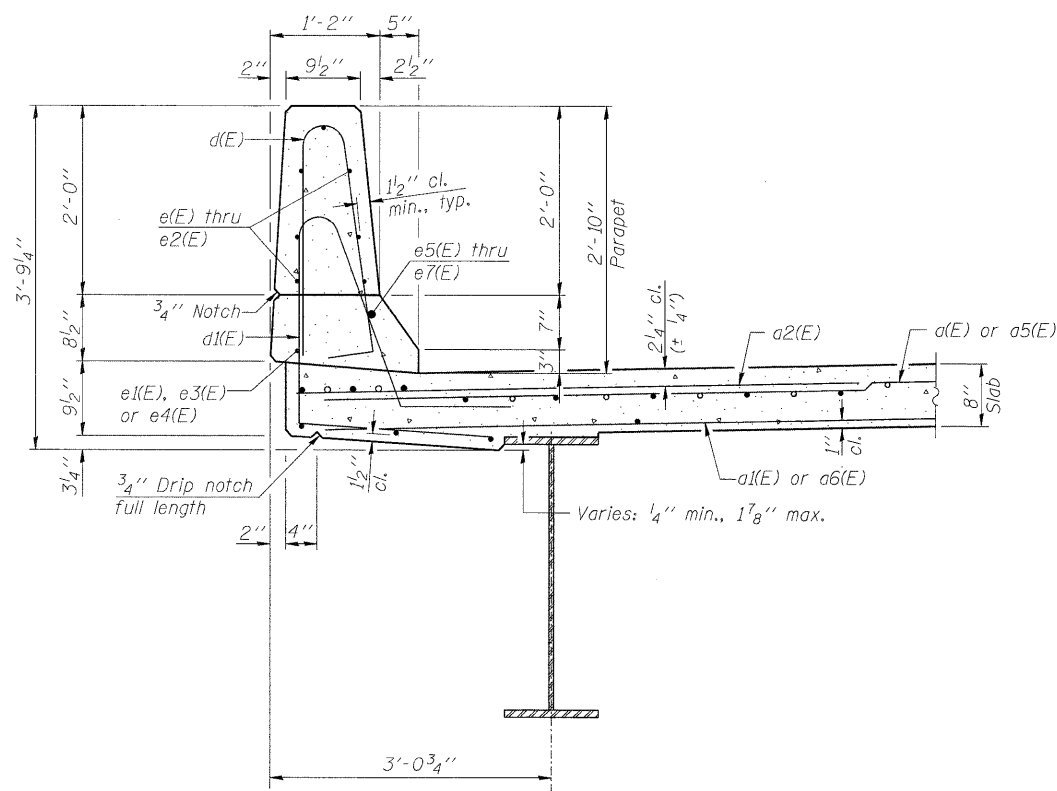


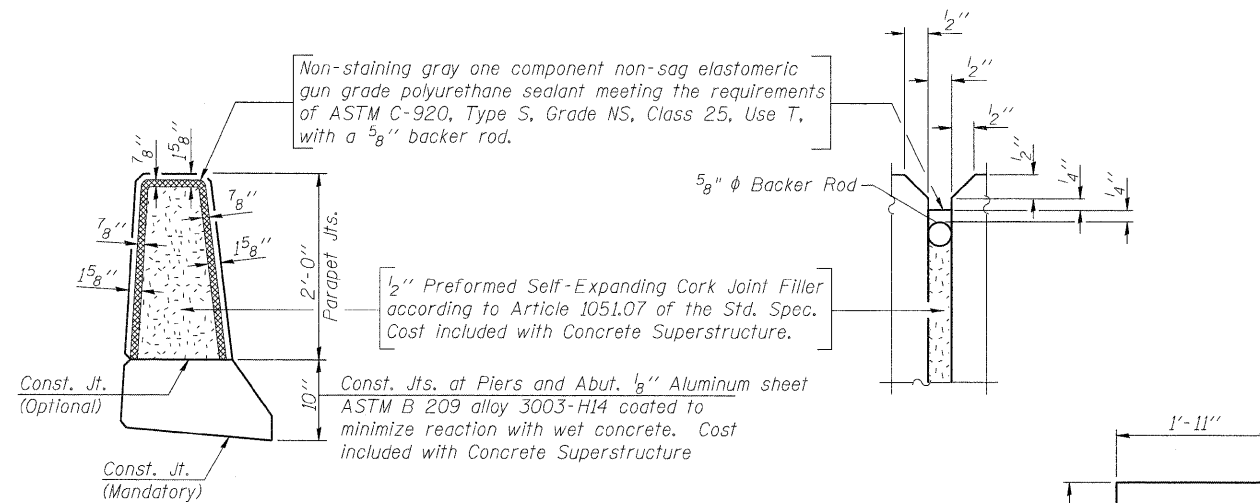
INSIDE ELEVATION OF PARAPET

MINIMUM BAR LAP

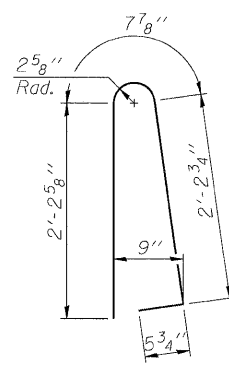
(Parapet)
 #4 bar = 2'-0"
 #8 bar = 5'-2"



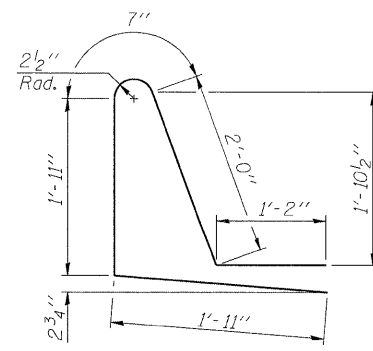
SECTION THRU PARAPET



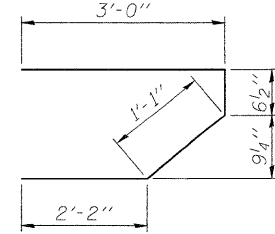
PARAPET JOINT DETAILS



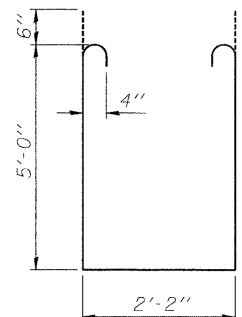
BAR d(E)



BAR d1(E)



BAR s(E)



BAR s1(E)

SUPERSTRUCTURE BILL OF MATERIAL

Bar	No.	Size	Length	Shape
d(E)	677	#5	23'-1"	U
a1(E)	414	#5	22'-9"	U
a2(E)	1354	#6	6'-6"	U
a5(E)	677	#5	20'-2"	U
a6(E)	414	#5	19'-10"	U
b(E)	600	#5	28'-10"	U
b1(E)	276	#6	27'-7"	U
b2(E)	546	#5	26'-10"	U
d(E)	678	#5	5'-7"	U
d1(E)	678	#5	7'-7"	U
e(E)	84	#4	19'-4"	U
e1(E)	64	#4	19'-8"	U
e2(E)	84	#4	18'-4"	U
e3(E)	12	#4	20'-11"	U
e4(E)	10	#4	24'-0"	U
e5(E)	12	#8	23'-1"	U
e6(E)	8	#8	19'-8"	U
e7(E)	10	#8	26'-6"	U
m(E)	28	#6	23'-3"	U
m1(E)	48	#6	10'-0"	U
m2(E)	8	#6	7'-10"	U
m3(E)	4	#6	2'-9"	U
m4(E)	4	#6	3'-9"	U
s(E)	104	#5	6'-10"	U
s1(E)	92	#4	13'-2"	U
v(E)	96	#5	3'-9"	U
Reinforcement Bars, Epoxy Coated			Pound	125,130
Concrete Superstructure			Cu. Yd.	498.6

Bars indicated thus 1 x 3-#5 etc. indicates 1 line of bars with 3 lengths per line.

T:\5015-Phase1\11-28\1-26\51-rev-act\dgn\11.2.dgn\0710097-64D16-012-5D1.dgn