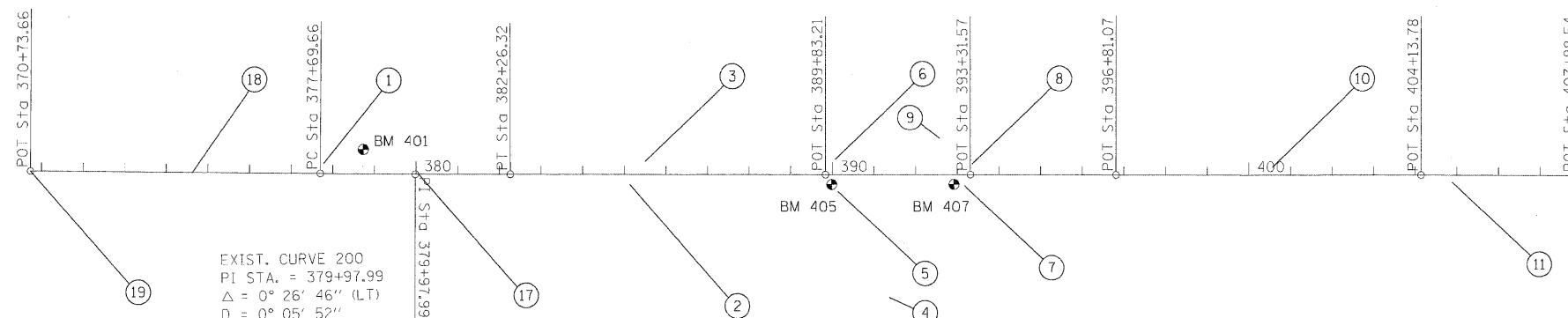
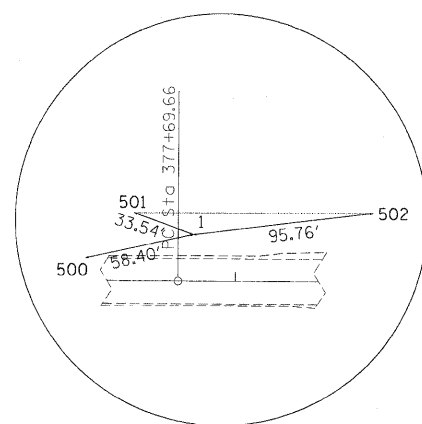


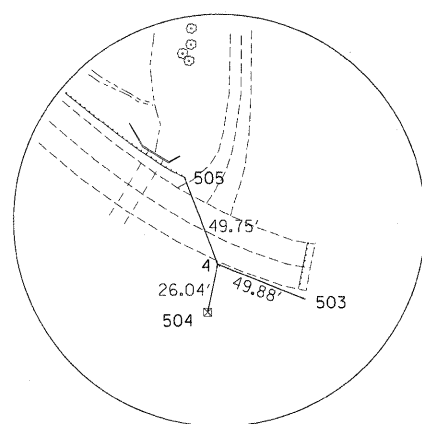
HORIZONTAL & VERTICAL CONTROL



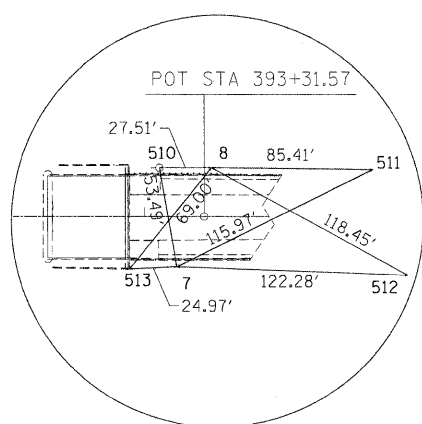
| HORIZONTAL CONTROL POINTS | | | | | | | |
|---------------------------|--------------|--------------|-----------|-------|-------------|--------------|-------------------------------------|
| POINT | NORTH | EAST | ELEVATION | CHAIN | STATION | OFFSET | DESCRIPTION |
| 1 | 1942217.0192 | 2456481.5177 | 864.4911 | US52 | 377+77.7212 | 24.5781' LT | TOPO SURVEY POINT, PIN AND CAP |
| 2 | 1941482.3150 | 2456420.7784 | 857.3857 | US52 | 385+13.3477 | 24.8554' RT | TOPO SURVEY POINT, PIN AND CAP |
| 3 | 1941445.1237 | 2456476.3874 | 855.3521 | US52 | 385+49.8104 | 31.2341' LT | TOPO SURVEY POINT, PIN AND CAP |
| 4 | 1940862.5551 | 2456141.2666 | 834.6760 | US52 | 391+36.7687 | 296.2230' RT | TOPO SURVEY POINT, PIN AND CAP |
| 5 | 1940982.8596 | 2456398.7452 | 852.9135 | US52 | 390+13.0572 | 40.3639' RT | TOPO SURVEY POINT, PIN AND CAP |
| 6 | 1940987.9044 | 2456476.1547 | 854.3893 | US52 | 390+06.9854 | 36.9719' LT | TOPO SURVEY POINT, PIN AND CAP |
| 7 | 1940678.6116 | 2456408.4866 | 864.9974 | US52 | 393+17.1491 | 26.5850' RT | TOPO SURVEY POINT, PIN AND CAP |
| 8 | 1940659.5111 | 2456460.8417 | 864.9023 | US52 | 393+35.5212 | 26.0239' LT | TOPO SURVEY POINT, PIN AND CAP |
| 9 | 1940736.7701 | 2456523.7408 | 840.4849 | US52 | 392+57.4660 | 87.8871' LT | TOPO SURVEY POINT, NAIL |
| 10 | 1939938.7790 | 2456442.8292 | 878.9115 | US52 | 400+56.4366 | 18.5042' LT | TOPO SURVEY POINT, SURVEY MARK NAIL |
| 11 | 1939507.3838 | 2456400.7796 | 880.6332 | US52 | 404+88.4523 | 17.0105' RT | TOPO SURVEY POINT, PIN AND CAP |



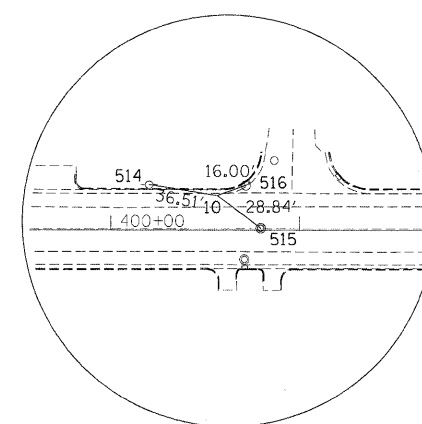
HORIZONTAL CONTROL POINT NO. 1



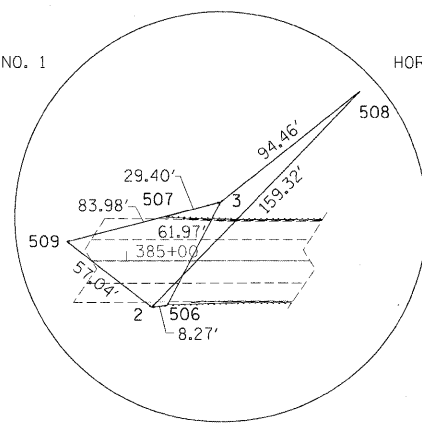
HORIZONTAL CONTROL POINTS NO. 4 & 5



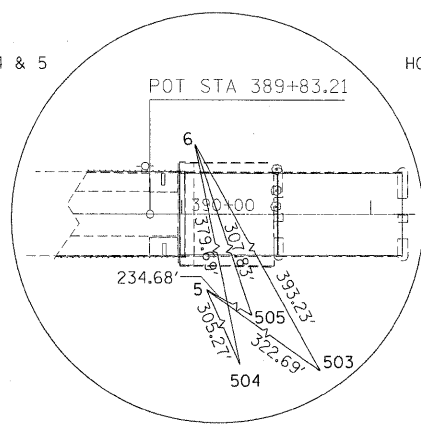
HORIZONTAL CONTROL POINTS NO. 7 & 8



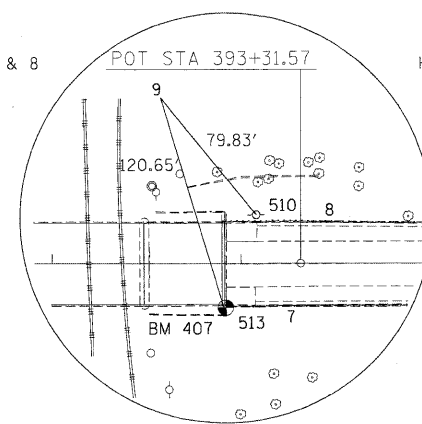
HORIZONTAL CONTROL POINT NO. 10



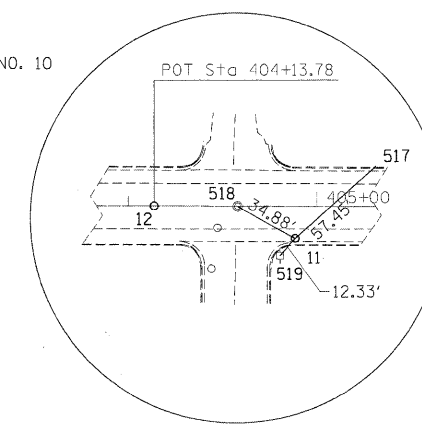
HORIZONTAL CONTROL POINTS NO. 2 & 3



HORIZONTAL CONTROL POINTS NO. 5 & 6



HORIZONTAL CONTROL POINT NO. 9



HORIZONTAL CONTROL POINT NO. 11