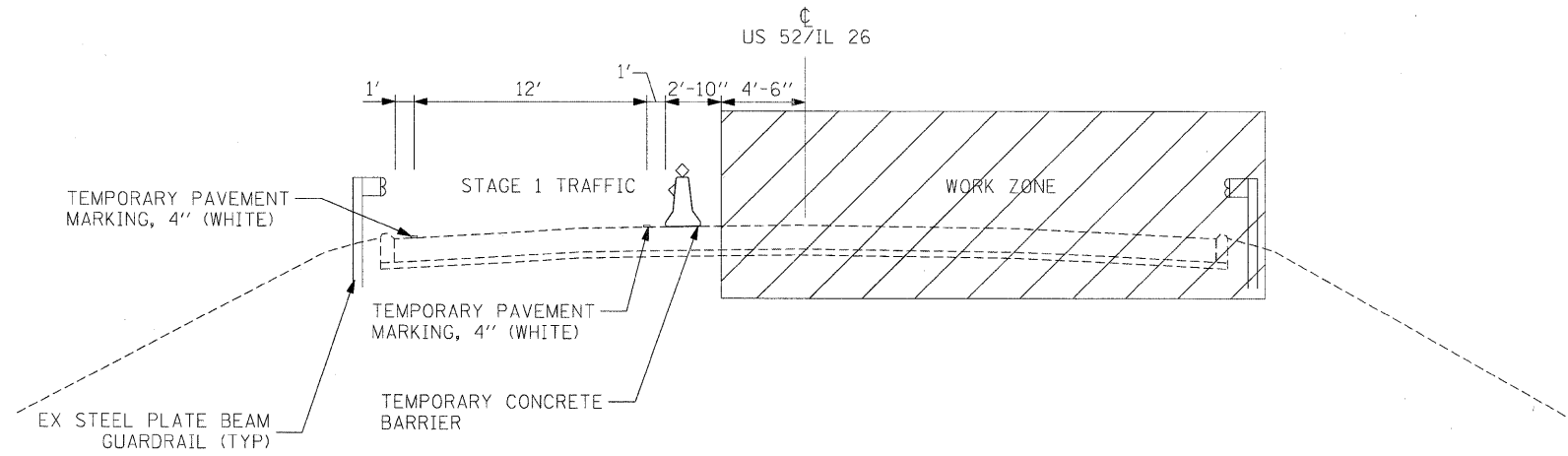
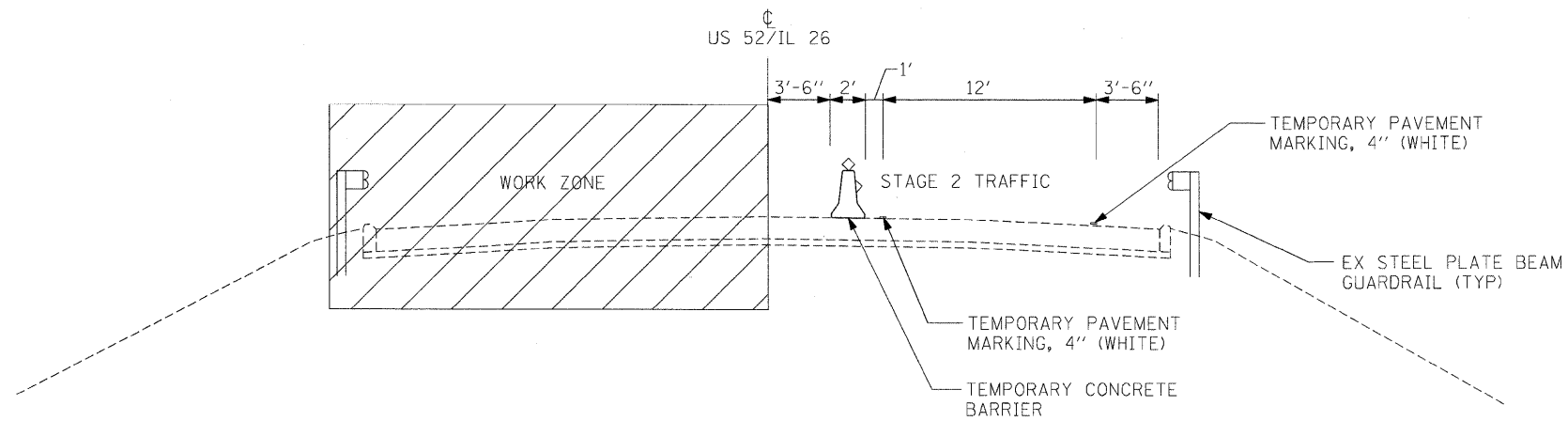


TYPICAL MOT SECTIONS



MOT STAGE 1 - TYPICAL SECTION



MOT STAGE 2 - TYPICAL SECTION

FILE NAME =	USER NAME = _USER_	DESIGNED - MTM	REVISED -	STATE OF ILLINOIS DEPARTMENT OF TRANSPORTATION	US 52 /IL 26 OVER THE BNSF RAILROAD TYPICAL MOT SECTIONS	F.A.P. RTE.	SECTION	COUNTY	TOTAL SHEETS	SHEET NO.
c:\5015-phase1\1-2&1-26\civil\1-26\CADD	Sheets\0264017-sht-MOT_typical.dgn	DRAWN - MTM	REVISED -			316	4VBR-1	OGLE	73	16
PLOT SCALE = #SCALE#	CHECKED - KK	REVISED -	REVISED -			CONTRACT NO. 64D17				
PLOT DATE = 8/18/2011	DATE - 8/2/2011	REVISED -	REVISED -			FED. ROAD DIST. NO. ILLINOIS FED. AID PROJECT				
						SCALE:	SHEET NO. 16 OF 73 SHEETS	STA.	TO STA.	