

CONCRETE COLLARS FOR PIPE OR BOX CULVERT EXTENSIONS

Bill of Materials

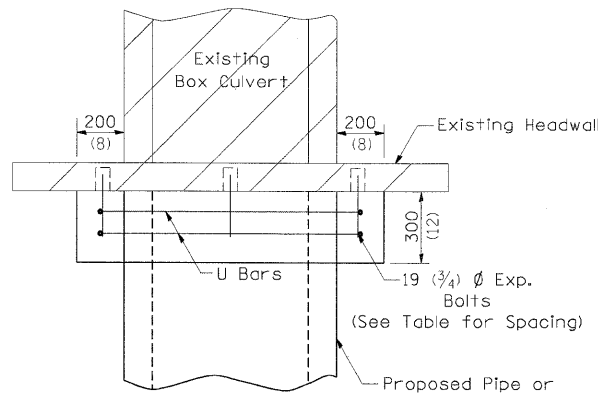
STATION	DIMENSIONS		h Bar	U Bar		EXPANSION BOLTS	CONCRETE COLLAR	REINF. BARS
	X	Y	No.	No.	Length			
394+70.00	24"	14"	8	4	52"	NA	0.42	20
394+67.00	24"	14"	8	4	52"	NA	0.42	20
394+72.00	24"	14"	8	4	52"	NA	0.42	20
			All h Bars 450 (18) Long		Total		1.3	60

General Notes

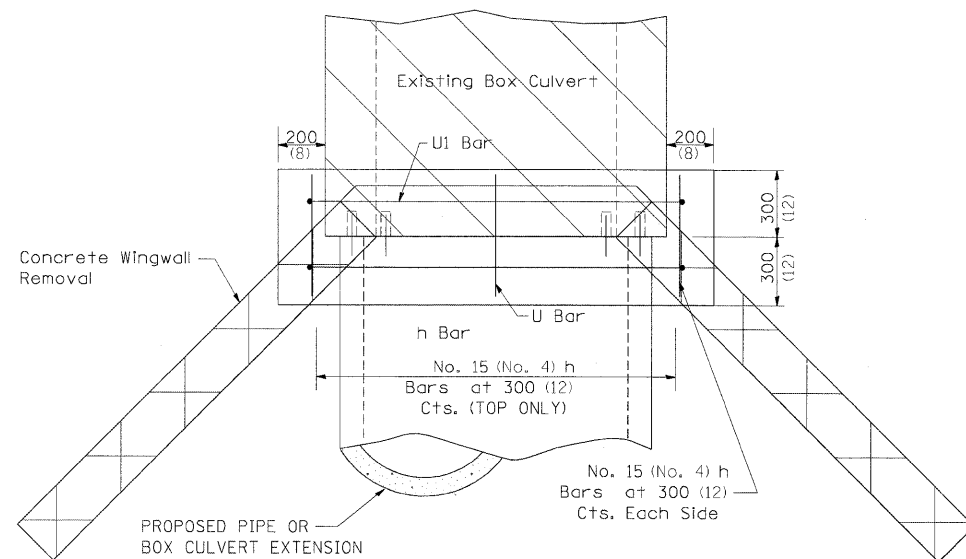
Concrete Collars shall be constructed of Class SI Concrete in accordance with Section 503 of the Standard Specifications

Reinforcement bars shall conform to Section 508 of the Standard Specifications.

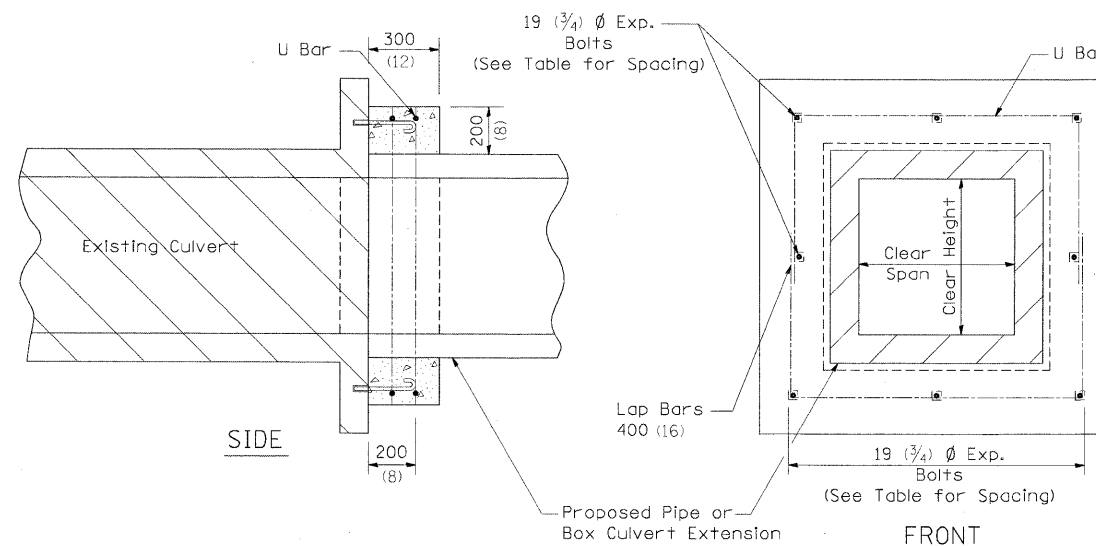
The concrete will be paid for at the contract unit price per cubic meter (cubic yard) for CONCRETE COLLAR. Reinforcement will be paid for at the contract unit price per kilogram (pound) for REINFORCEMENT BARS. Expansion Bolts, when required, will be paid for at the contract unit price each for EXPANSION BOLTS of the size indicated, which price shall include furnishing, drilling holes, and installing the expansion bolts complete in place. These bolts shall extend at least 200 (8 inches) into the new concrete.



PLAN OF CULVERT WITH STRAIGHT HEADWALL

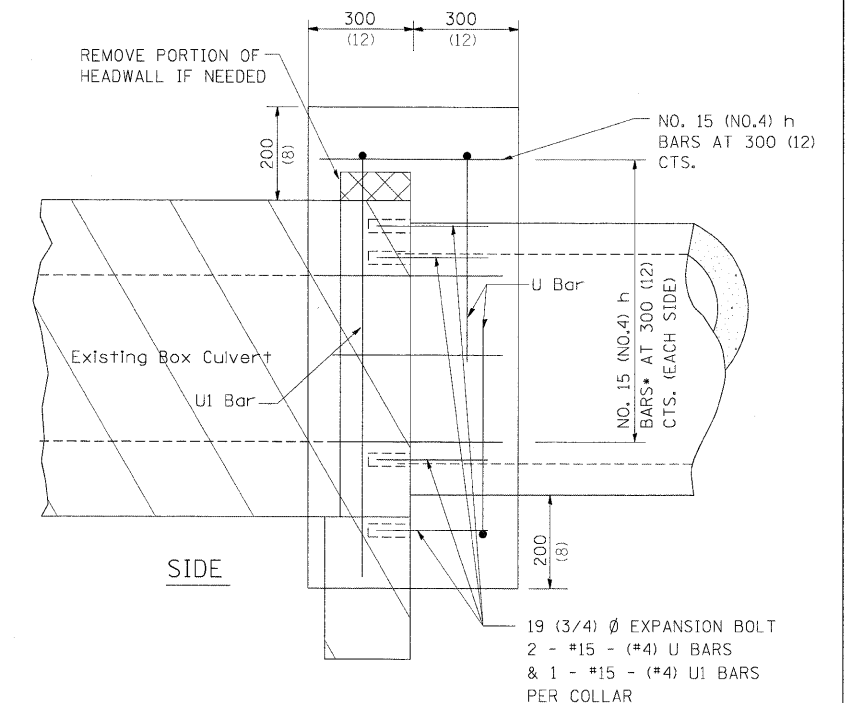


PLAN OF CULVERT WITH ANGLED WING WALLS

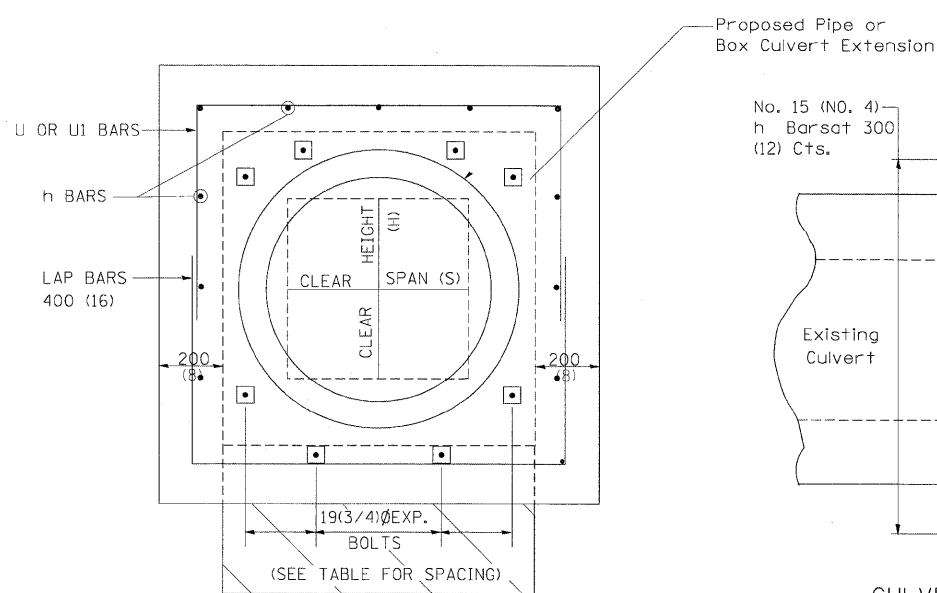


SIDE

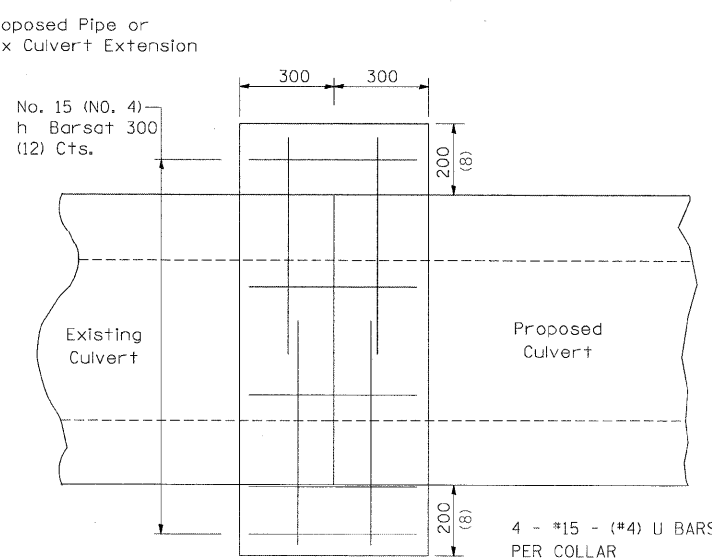
FRONT



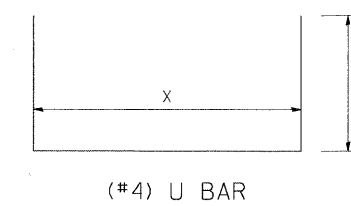
SIDE



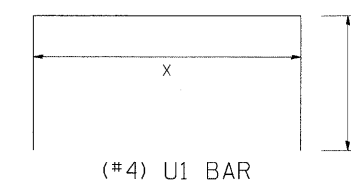
FRONT



CULVERT CONNECTION WITHOUT EXISTING HEADWALL



(#4) U BAR



(#4) U1 BAR

PLACEMENT DETAILS FOR EXPANSION BOLTS

H OR S	NUMBER OF EXPANSION BOLTS REQUIRED PER SIDE			
	EXTENSIONS < 4.57m (15')		EXTENSIONS > 4.57m (15')	
	NUMBER	SPACING	NUMBER	SPACING
600 (24)	*		*	
750 (30)	2	450 (18)	2	450 (18)
900 (36)	2	600 (24)	2	600 (24)
1200 (48)	3	450 (18)	3	450 (18)
1500 (60)	4	400 (16)	3	600 (24)
1800 (72)	5	375 (15)	4	500 (20)
2100 (84)	5	450 (18)	4	600 (24)
2400 (96)	6	375 (15)	5	525 (21)
2700 (108)	6	475 (19)	5	600 (24)
3000 (120)	7	450 (18)	6	525 (21)
3300 (132)	8	425 (17)	6	600 (24)
3600 (144)	8	475 (19)	7	550 (22)

* MINIMUM ONE PER SIDE

FILE NAME =	USER NAME = .USER.	DESIGNED -	REVISED - 11-09-06	STATE OF ILLINOIS DEPARTMENT OF TRANSPORTATION	REGION 2 / DISTRICT 2 STANDARD	F.A.P. RTE.	SECTION	COUNTY	TOTAL SHEETS	SHEET NO.	
t:\5015-phase11-2&11-26\civil\11-26\CADD	Sheets\0264017-sht-Data\sdgn	DRAWN -	REVISED -			316	4VBR-1	OGLE	73	23	
	PLOT SCALE = #SCALE#	CHECKED -	REVISED -			CONTRACT NO. 64D17					
	PLOT DATE = 8/18/2011	DATE -	REVISED -			ILLINOIS FED. AID PROJECT					