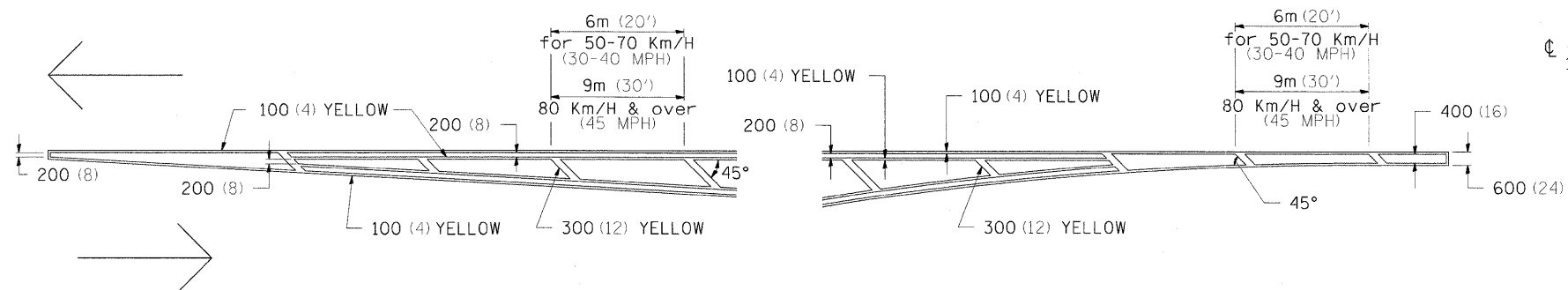
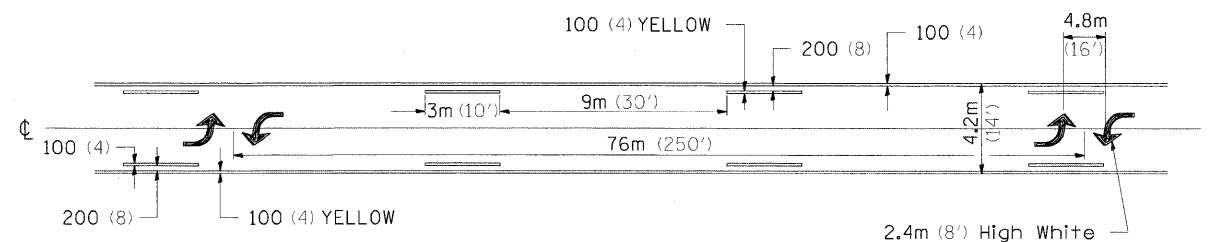


TYPICAL PAVEMENT MARKINGS

TYPICAL PAVEMENT MARKING FOR FLUSH MEDIAN AT LEFT TURN LANE

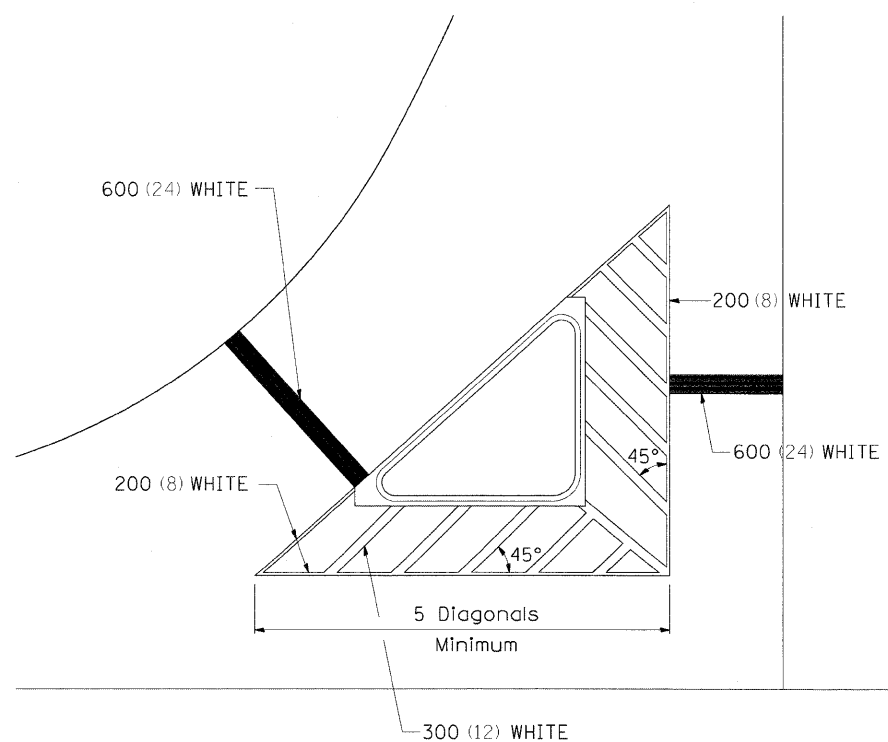


MEDIAN PAVEMENT MARKING

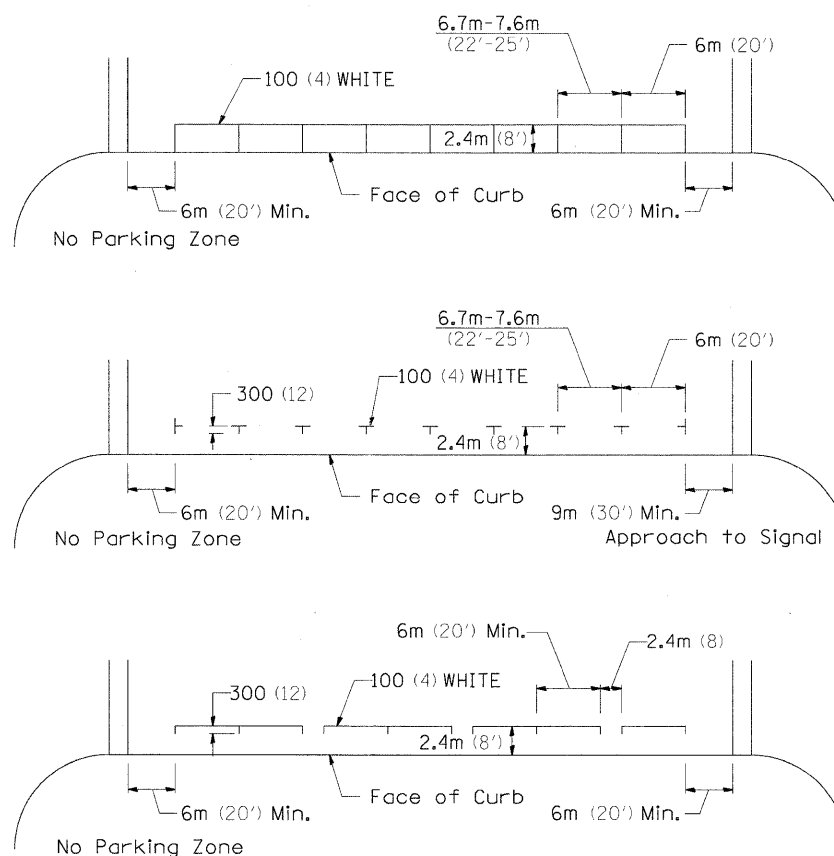


** ALL DIMENSIONS ARE IN MILLIMETERS (INCHES) UNLESS OTHERWISE NOTED.

TYPICAL ISLAND OFFSET SHOULDER WIDTH

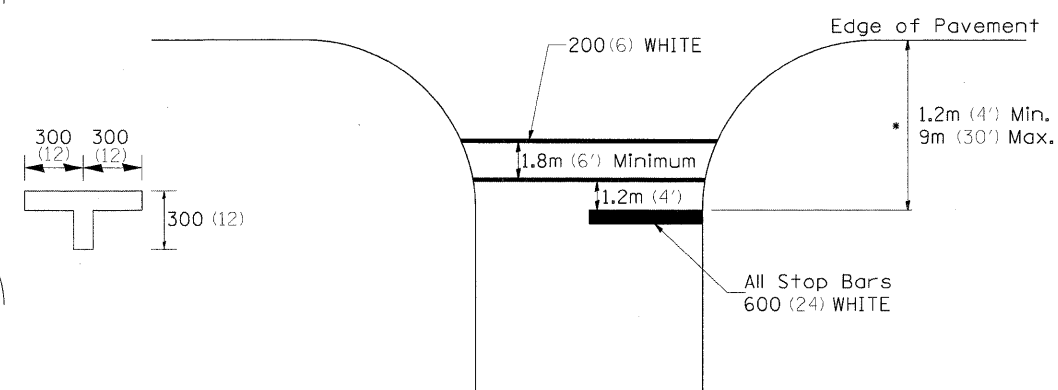


TYPICAL PARKING SPACING



STANDARD CROSSWALK MARKING

See Schedules for Locations



* Distance to the nearest edge of the intersecting roadway in the absence of a marked crosswalk.

FILE NAME =	USER NAME = .USER.	DESIGNED -	REVISED - 10-21-08	STATE OF ILLINOIS DEPARTMENT OF TRANSPORTATION	REGION 2 / DISTRICT 2 STANDARD	F.A.P. RTE.	SECTION	COUNTY	TOTAL SHEETS	SHEET NO.	
ct:\5015-phases\1-2&1-26\civil\1-26\CADD	Sheets\0264017-sht-Details.dgn	DRAWN -	REVISED -			316	4VBR-1	OGLE	73	24	
PLCT SCALE = #SCALE#		CHECKED -	REVISED -			CONTRACT NO. 64D17					
PLCT DATE = 8/18/2011		DATE -	REVISED -			FED. ROAD DIST. NO. ILLINOIS FED. AID PROJECT					