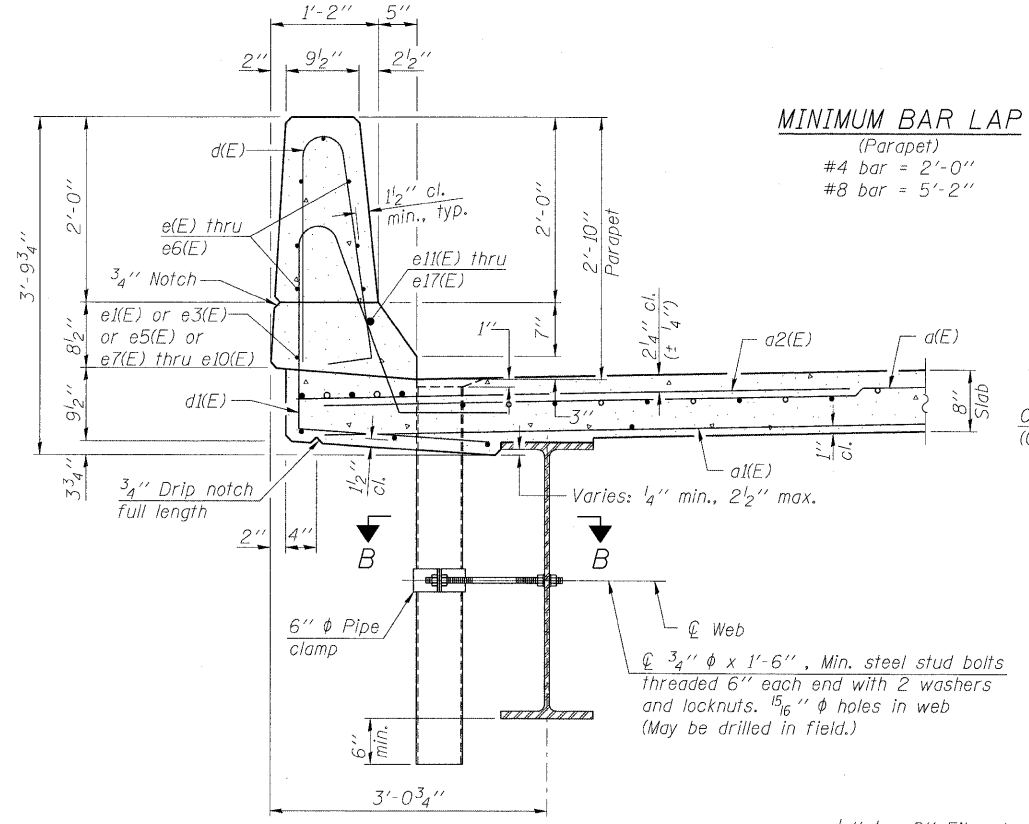
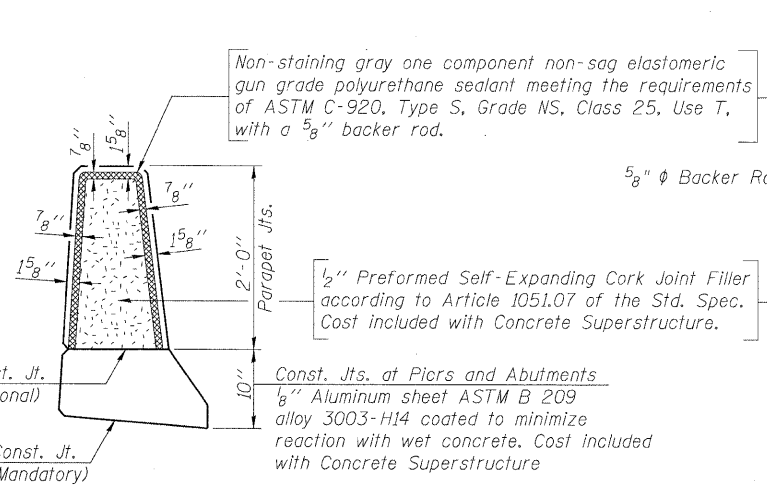


INSIDE ELEVATION OF PARAPET



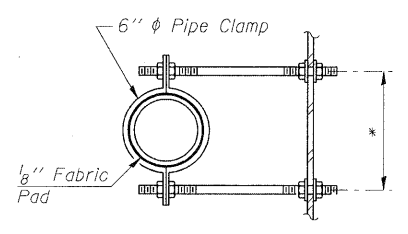
SECTION THRU PARAPET



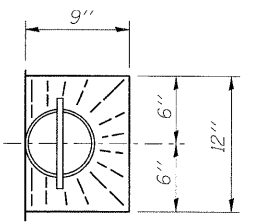
PARAPET JOINT DETAILS

NOTES

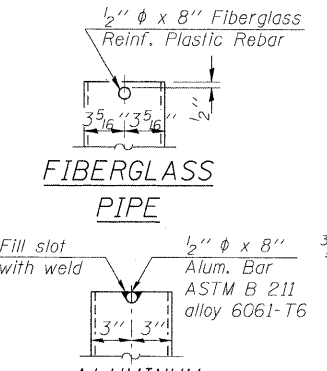
- The exterior surfaces of the floor drains shall be painted with the finish coat as specified in the special provisions for Cleaning and Painting New Metal Structures. The exterior surfaces of the drains shall be cleaned according to Society of Protective Coatings Spec. SSPC-SP1 prior to painting.
- Fiberglass pipe shall conform to ASTM D 2996, with short-time rupture strength hoop tensile stress of 30,000 p.s.i. minimum.
- Galvanize clamping device according to AASHTO M232. Cost of clamping device and inserts is included with Floor Drains.



SECTION B-B  
\*Dimension as required by Pipe Clamp

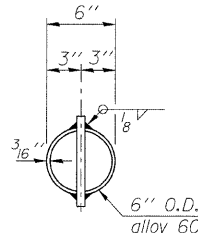


TOP PLAN

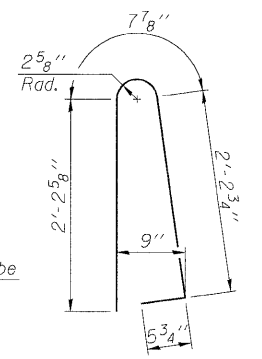


FIBERGLASS PIPE

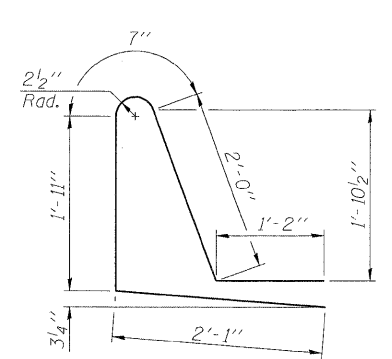
ALUMINUM TUBE



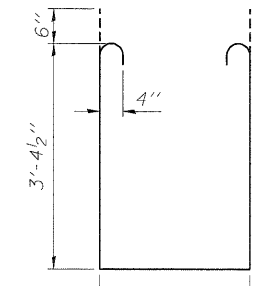
TOP PLAN (Showing Aluminum Tube)



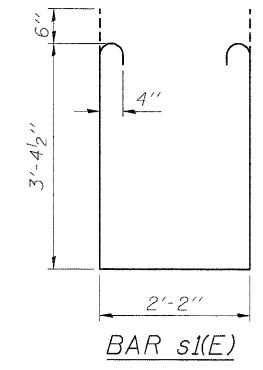
BAR d(E)



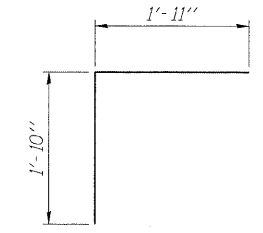
BAR d1(E)



BAR s(E)



BAR s1(E)



BAR v(E)

SUPERSTRUCTURE BILL OF MATERIAL

Bar	No.	Size	Length	Shape
a(E)	1350	#5	23'-1"	—
a1(E)	826	#5	22'-9"	—
a2(E)	1350	#6	6'-6"	—
b(E)	650	#5	26'-10"	—
b1(E)	504	#5	28'-9"	—
b2(E)	46	#6	43'-10"	—
b3(E)	46	#6	57'-5"	—
b4(E)	46	#6	44'-0"	—
d(E)	676	#5	5'-7"	U
d1(E)	676	#5	7'-9"	U
e(E)	42	#4	17'-5"	—
e1(E)	32	#4	11'-0"	—
e2(E)	56	#4	17'-4"	—
e3(E)	32	#4	14'-8"	—
e4(E)	56	#4	17'-2"	—
e5(E)	32	#4	11'-7"	—
e6(E)	28	#4	19'-1"	—
e7(E)	4	#4	27'-6"	—
e8(E)	6	#4	24'-10"	—
e9(E)	6	#4	24'-8"	—
e10(E)	4	#4	20'-4"	—
e11(E)	4	#8	29'-1"	—
e12(E)	4	#8	11'-0"	—
e13(E)	6	#8	26'-11"	—
e14(E)	4	#8	14'-8"	—
e15(E)	6	#8	26'-9"	—
e16(E)	4	#8	11'-7"	—
e17(E)	4	#8	21'-11"	—
m(E)	20	#6	23'-3"	—
m1(E)	24	#6	10'-0"	—
m2(E)	8	#6	7'-11"	—
m3(E)	4	#6	2'-9"	—
m4(E)	4	#6	3'-9"	—
s(E)	104	#5	6'-10"	U
s1(E)	92	#4	9'-11"	U
v(E)	96	#5	3'-9"	U
Reinforcement Bars, Epoxy Coated		Pound	126,010	
Concrete Superstructure		Cu. Yds.	480.2	

Bars indicated thus 1 x 3-#5 etc. indicates 1 line of bars with 3 lengths per line.

T:\15015-Phase11-IL-2811-263-Struct\Drawn\126.dgn 07/12/96 6:40:17 013-SD1.dgn