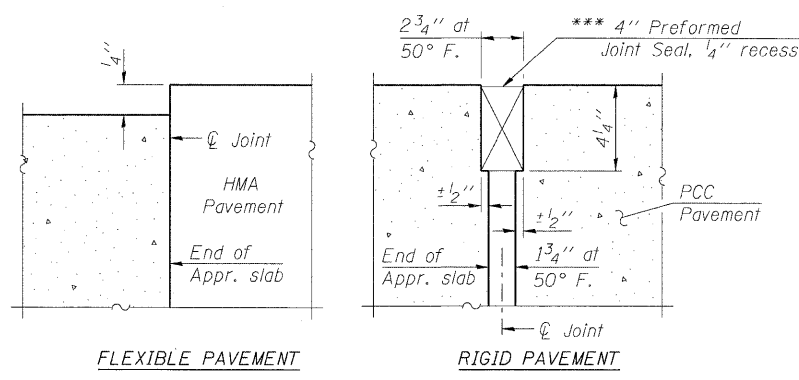


PLAN

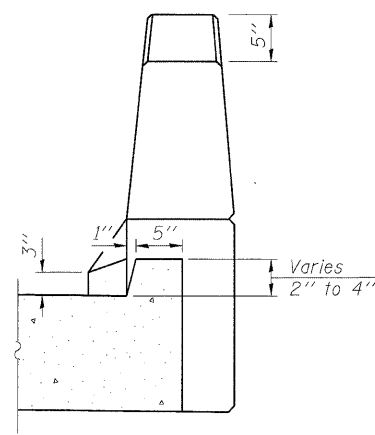
S. Appr. shown
N. Appr. similar by rotation & as noted

* Tilt #9 b6(E) bars as required to maintain clearance.
** Space between a3(E) bars, typ. ea. parapet.

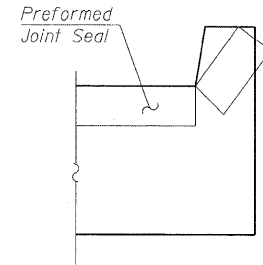


DETAIL A

*** Cost included with Concrete Superstructure.

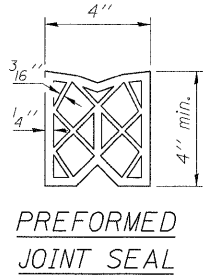


VIEW B-B



VIEW F-F

Angle Preformed Joint Seal at 45° at curbs when req'd for drainage.



PREFORMED JOINT SEAL

NOTES

1. See sheet 15 of 29 for Sections C-C & D-D and View E-E.
2. See sheet 15 of 29 for location of Detail A on Section C-C.
3. a3(E) and a4(E) bar spacings measured along \bar{C} Rdwy.

T:\5015-Phase1\11-28\11-28\Struct\egm\126.dgn\0710096-64017-014-AS1.dgn

LOCHNER
H.W. LOCHNER, INC.
CONSULTING ENGINEERS AND PLANNERS
20 N. WACKER DRIVE, SUITE 1200
CHICAGO, ILLINOIS 60606

USER NAME =	DESIGNED - GWS	REVISED -
FILE NAME = 0710096-64017-014-AS1.dgn	CHECKED - LJB	REVISED -
PLOT SCALE =	DRAWN - EF	REVISED -
PLOT DATE =	CHECKED - LJB	REVISED -

**STATE OF ILLINOIS
DEPARTMENT OF TRANSPORTATION**

**BRIDGE APPROACH SLAB DETAILS I
STRUCTURE NO. 071-0096**

SHEET NO. 14 OF 29 SHEETS

F.A.P. RTE. 316	SECTION 4VBR-1	COUNTY OGLE	TOTAL SHEETS 73	SHEET NO. 58
CONTRACT NO. 64D17			ILLINOIS FED. AID PROJECT	