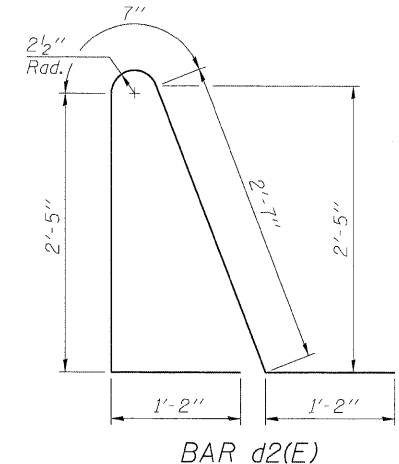
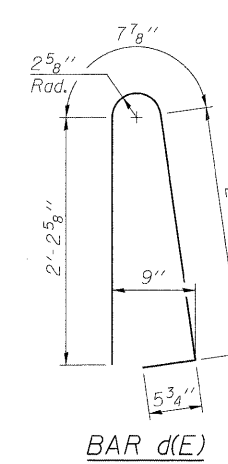
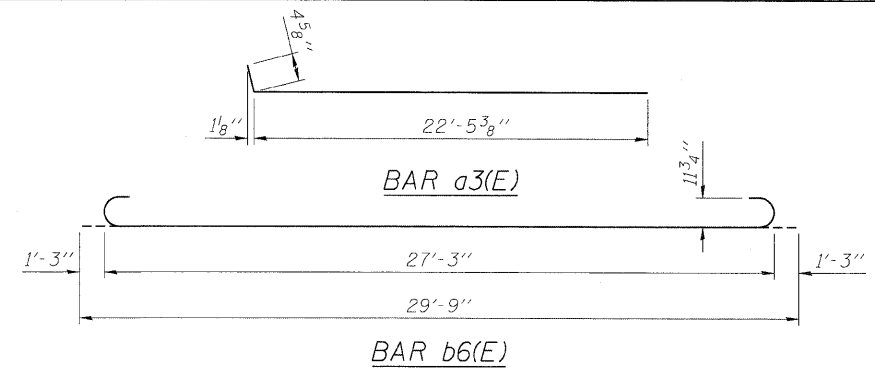
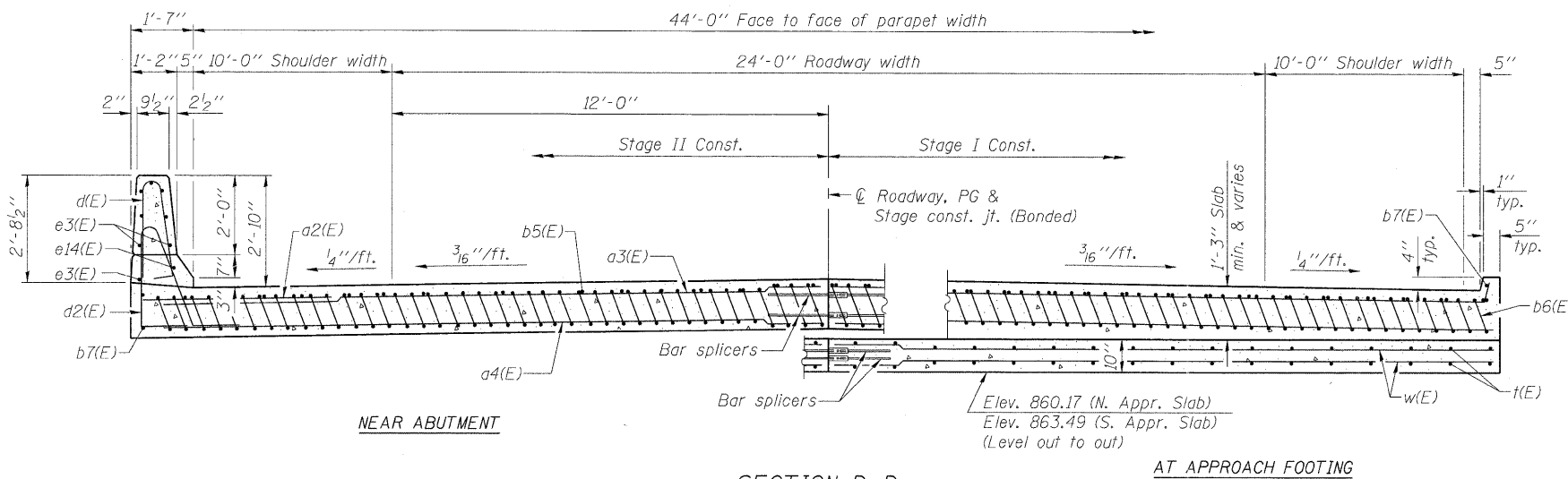


* Tilt #9 b6(E) bars as required to maintain clearance.
 *** Cost included with Concrete Superstructure.

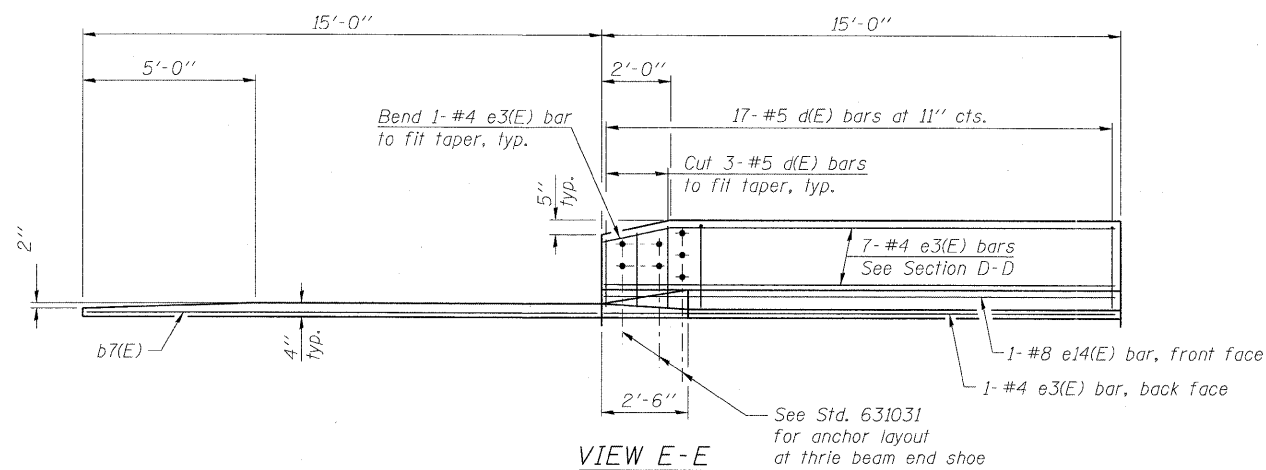


**TWO APPROACHES
 BILL OF MATERIAL**

Bar	No.	Size	Length	Shape
a2(E)	48	#6	6'-6"	—
a3(E)	100	#4	22'-10"	—
a4(E)	184	#5	22'-7"	—
b5(E)	76	#4	29'-8"	—
b6(E)	216	#9	29'-9"	—
b7(E)	8	#4	14'-8"	—
d(E)	68	#5	5'-7"	—
d2(E)	68	#5	7'-11"	—
e3(E)	32	#4	14'-8"	—
e14(E)	4	#8	14'-8"	—
t(E)	192	#4	9'-8"	—
w(E)	160	#5	22'-7"	—
Concrete Superstructure		Cu. Yd.	141.1	
Concrete Structures		Cu. Yd.	28.3	
Reinforcement Bars, Epoxy Coated		Pound	36,200	



SECTION D-D
 (See Plan for dimensions not shown)



VIEW E-E

NOTES

- See sheet 14 of 29 for Detail A and View B-B.
- Approach slab and parapet concrete shall be paid for as Concrete Superstructure.
- Approach footing concrete shall be paid for as Concrete Structures.
- Reinforcement shall be paid for as Reinforcement Bars, Epoxy Coated.
- For integral abutment bar splicers (E) and v(E) bar details, see sheet 12 of 29.
- The approach footing maximum applied service bearing pressure (Qmax) = 2.0 ksf.
- For bar splicer details, see sheet 25 of 29.
- Cost of excavation for approach footing included with Concrete Structures.
- For Porous Granular Embankment (Special) and drainage treatment details, see sheet 2 of 29.
- For additional parapet details, see sheet 13 of 29.

T:\5015 Phases\11-28\11-26\Struct\slab\126.dgn 07/18/96-64017-015-AS2.dgn

LOCHNER
 H.W. LOCHNER, INC.
 CONSULTING ENGINEERS AND PLANNERS
 20 N. WACKER DRIVE, SUITE 1200
 CHICAGO, ILLINOIS 60606

USER NAME =
 FILE NAME = 0710096-64017-015-AS2.dgn
 PLOT SCALE =
 PLOT DATE =

DESIGNED - GWS
 CHECKED - LJB
 DRAWN - EF
 CHECKED - LJB

REVISED -
 REVISED -
 REVISED -
 REVISED -

**STATE OF ILLINOIS
 DEPARTMENT OF TRANSPORTATION**

**BRIDGE APPROACH SLAB DETAILS II
 STRUCTURE NO. 071-0096**

SHEET NO. 15 OF 29 SHEETS

F.A.P. RTE.	SECTION	COUNTY	TOTAL SHEETS	SHEET NO.
316	4VBR-1	OGLE	73	59
ILLINOIS FED. AID PROJECT			CONTRACT NO. 64D17	