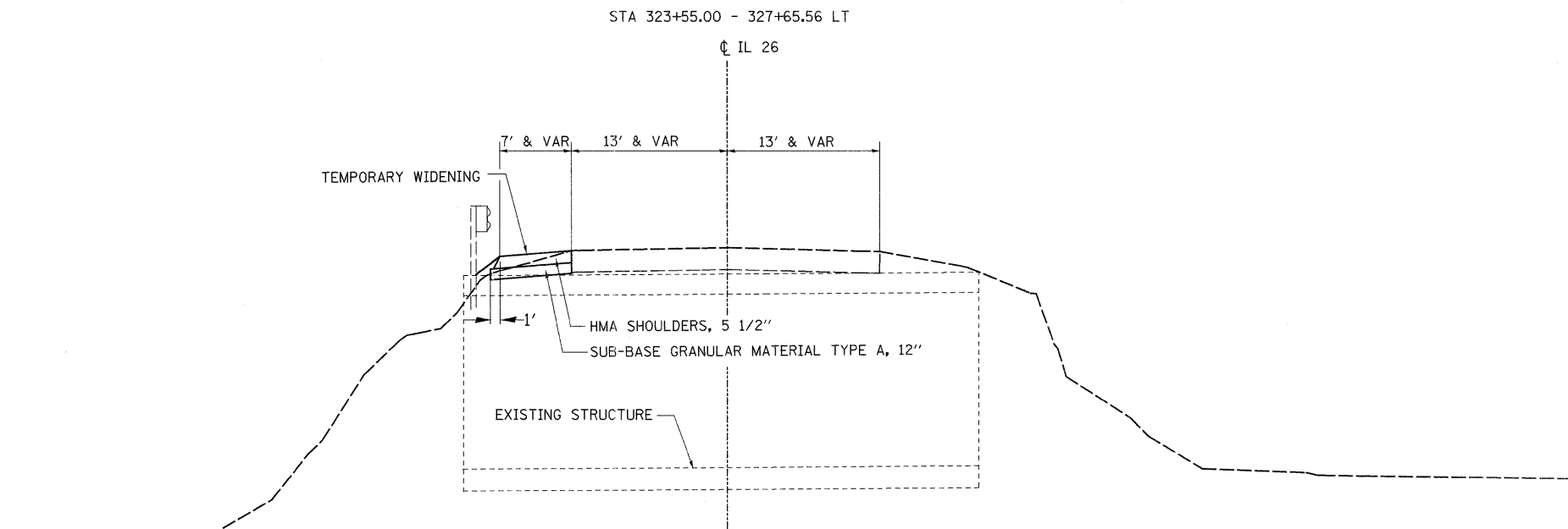


STAGING TYPICAL SECTIONS

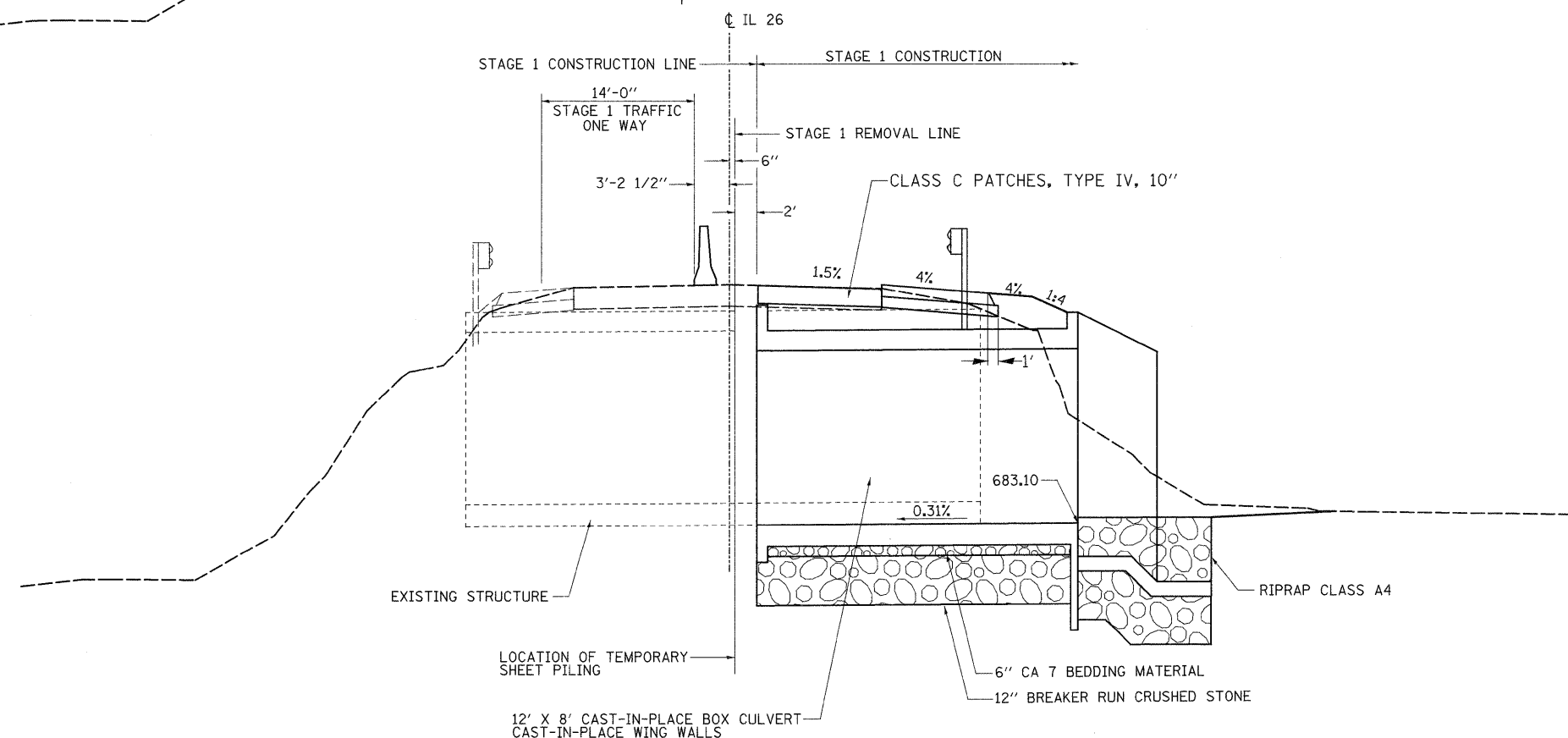
12'x8' Cast-In-Place Box Culvert 25° Skew

STA. 325 + 58

PRE-STAGE 1



STAGE 1



• 102BR-5, 102BR-6, & 102BR-7

FILE NAME =	USER NAME = grantpm	DESIGNED -	REVISED -	STATE OF ILLINOIS DEPARTMENT OF TRANSPORTATION	TYPICAL SECTIONS				F.A. RTE. 316	SECTION *	COUNTY LEE	TOTAL SHEETS 216	SHEET NO. 14
es:\pwork\pwork\grantpm\dms41810\02-staging-typical.dgn	PLOT SCALE = 50.0000' / 1in.	DRAWN -	REVISED -		SCALE:	SHEET NO.	OF	SHEETS	STA.	TO STA.	CONTRACT NO. 64D57		
	PLOT DATE = Tue Aug 23 06:26:19 2011	CHECKED -	REVISED -		ILLINOIS FED. AID PROJECT								
		DATE -	REVISED -										