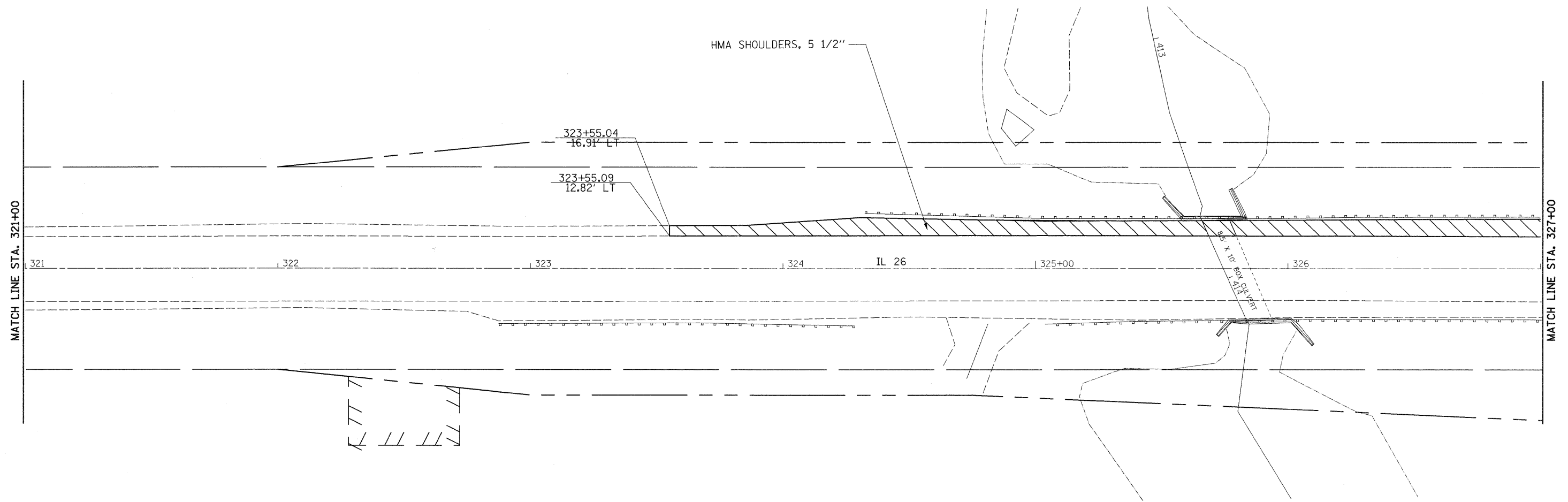


PRE-STAGE 1A



PRE-STAGE 1A NOTES

1. USE STANDARD 701326 FOR SHOULDER WORK.
2. PLACE SHOULDERS FROM STA. 323+55.09 LT TO STA. 327+65.56 LT.

FILE NAME =	USER NAME = grantpm	DESIGNED -	REVISED -	STATE OF ILLINOIS DEPARTMENT OF TRANSPORTATION	IL 26 STAGING DETAILS S.N. 052-2031 PRE-STAGE 1			F.A.P. RTE. 316	SECTION *	COUNTY LEE	TOTAL SHEETS 216	SHEET NO. 43
os\pwork\pwork\grantpm\dms41810\0210807-sht-staging.dgn	PLOT SCALE = 20.0000' / 1in.	DRAWN -	REVISED -		SCALE:	SHEET NO.	OF	SHEETS	STA.	TO STA.	CONTRACT NO. 64D57	
	PLOT DATE = Tue Aug 23 06:22:23 2011	CHECKED -	REVISED -		ILLINOIS FED. AID PROJECT							
		DATE -	REVISED -									

• 102BR-5, 102BR-6 & 102BR-7