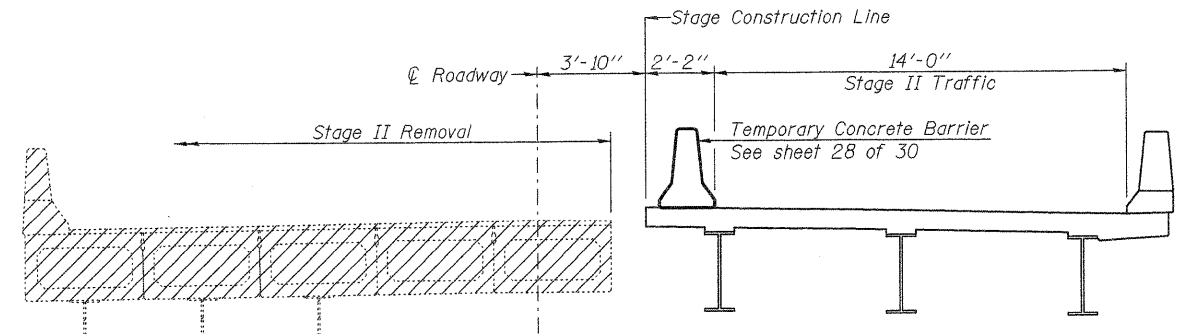


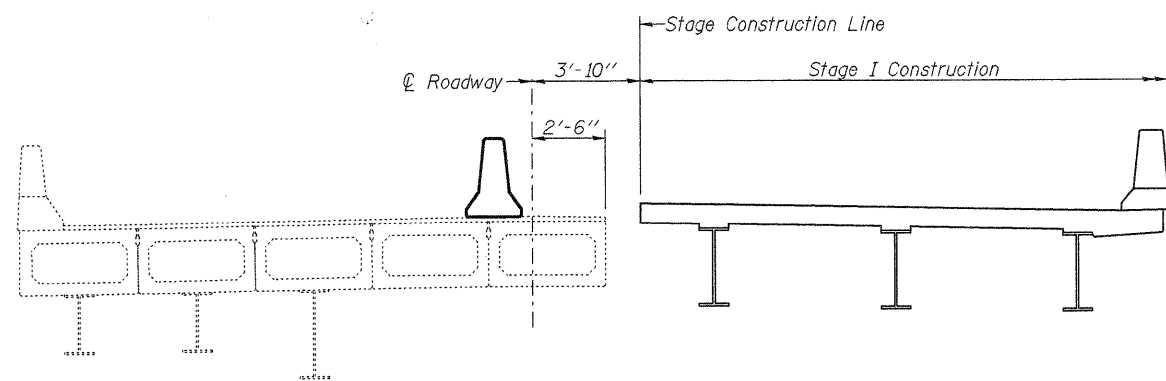
Supplemental steel W-beams, framing angles and support seats are to be salvaged and delivered to a location designated by the District.

STAGE I REMOVAL & TRAFFIC

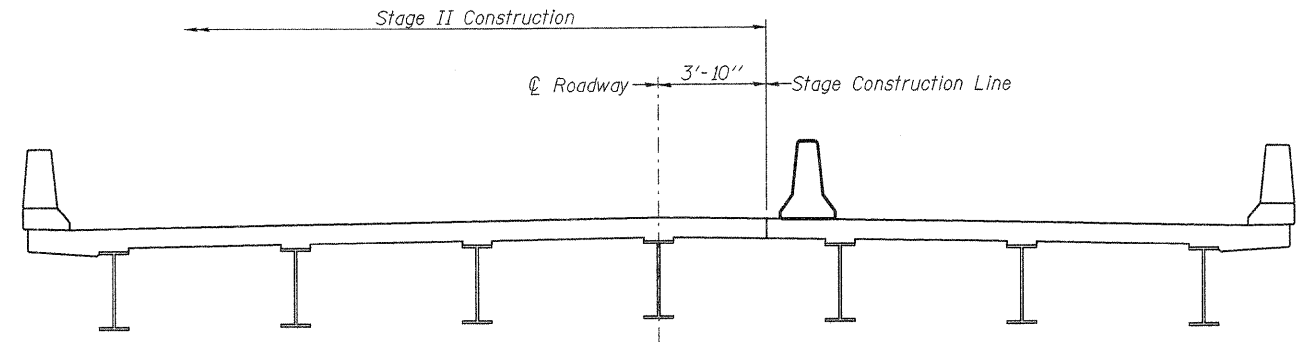


Supplemental steel W-beams, framing angles and support seats are to be salvaged and delivered to a location designated by the District.

STAGE II REMOVAL AND TRAFFIC



STAGE I CONSTRUCTION



STAGE II CONSTRUCTION

Notes:
 All staging cross sections are looking North.
 Hatched areas indicate Removal of Existing Structures.
 For quantity of Temporary Concrete Barrier, see Roadway Plans.

Existing Steel Support Beams and Beam Supports located beneath the portion of the existing superstructure utilized for carrying Stage I Traffic shall remain in place until traffic has been diverted to the portion of the new structure carrying Stage II Traffic. All existing Steel Support Beams and Beam Supports shall be salvaged and remain the property of the State. The Contractor shall deliver salvaged Steel Support Beams and Beam Supports to the Illinois Department of Transportation Maintenance Yard located at 1502 US Highway 30 Amboy, Illinois. Department personnel can provide equipment necessary to assist with the unloading of the salvaged beams at the Maintenance Yard. The Contractor shall coordinate the delivery and unloading of the salvaged beams with Mr. Roy McKnight (815-857-2914). The cost of salvage and delivery of the existing Steel Support Beams and Beam Supports is included in Removal of Existing Structures.

FILE NAME = 0520081-64057.DGN	DESIGNED - A.R.K.	REVISED -
USER NAME = S.A.P.	CHECKED - J.A.M.	REVISED -
PLOT SCALE =	DRAWN - S.A.P.	REVISED -
PLOT DATE = 08/10/11	CHECKED - A.R.K. & J.A.M.	REVISED -

F.A.P. RTE. 316	SECTION 102BR-6	COUNTY LEE	TOTAL SHEETS 216	SHEET NO. 65
			CONTRACT NO. 64D57	
ILLINOIS FED. AID PROJECT				