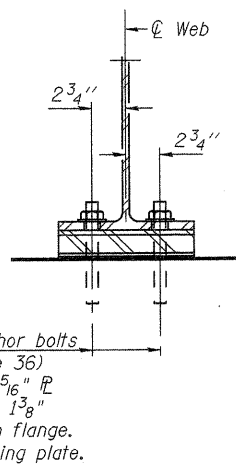
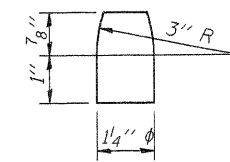


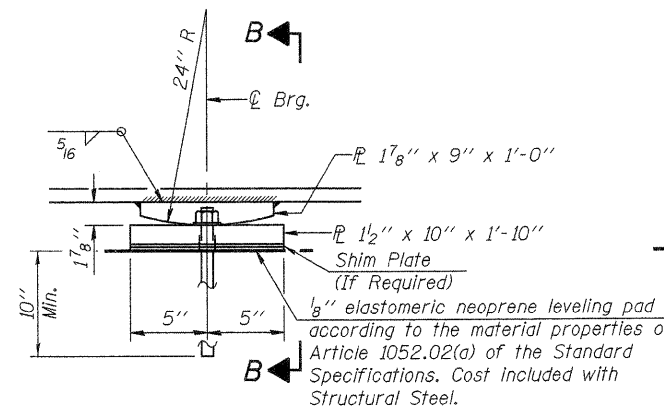
**ELEVATION AT ABUTMENTS**



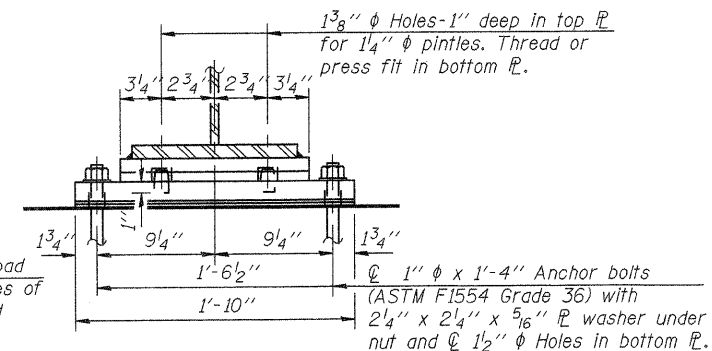
**SECTION A-A**



**PINTLE**



**ELEVATION AT PIERS 1 & 2**



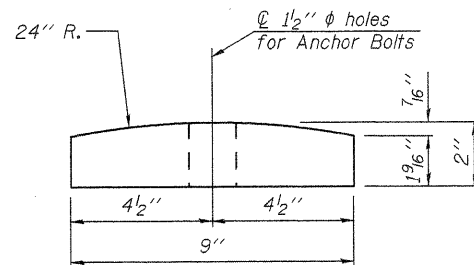
**SECTION B-B**

**ABUTMENT BEARING DETAILS**

(14 Required)  
Weight included with Structural Steel.

**PIER BEARING DETAILS**

(14 Required)  
Weight included with Structural Steel.



**ABUTMENT BEARING PLATE DETAIL**

Notes: Two 1/8" adjusting shims, of the dimension of the bottom bearing plate, shall be provided for each bearing in addition to all other plates or shims.  
Anchor bolts shall be ASTM F1554 Grade 36, all-thread of the diameter(s) specified. ASTM A307 Grade C anchor bolts may be used in lieu of ASTM F1554 Grade 36 (Fy=36 ksi). The corresponding specified grade of AASHTO M314 anchor bolts may be used in lieu of ASTM F1554.  
Anchor bolts at piers may be either cast in place or installed in holes drilled after the supported member is in place.  
Drilled and set anchor bolts shall be installed according to Article 521.06 of the Standard Specifications.  
Pintles and structural steel plates of the Bearing Assemblies shall conform to the requirements of AASHTO M270 Grade 50W.

**BILL OF MATERIAL**

Item	Unit	Total
Anchor Bolts, 1"	Each	56

Work this Sheet with Sheets 19 & 20 of 30.