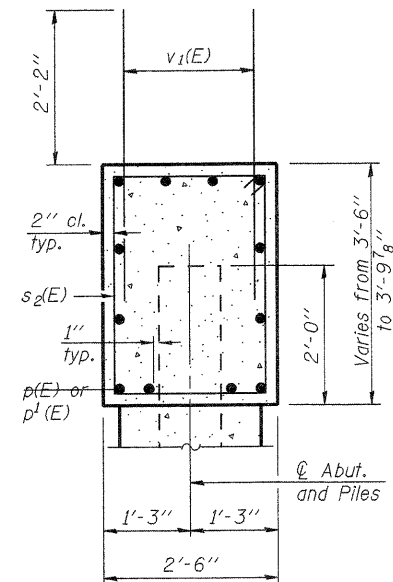
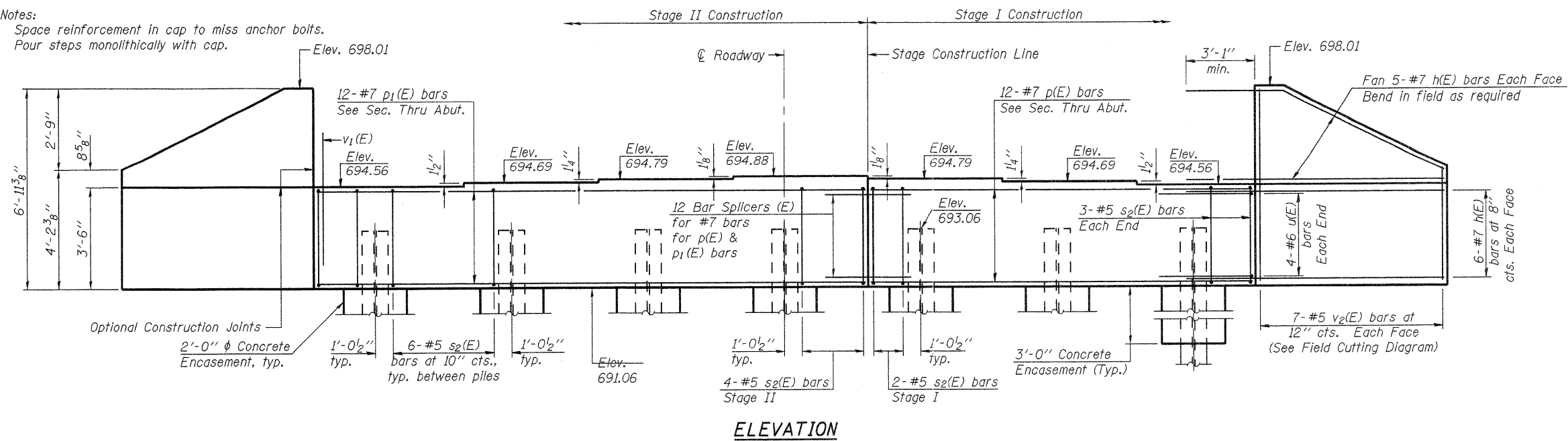


**Notes:**

Space reinforcement in cap to miss anchor bolts.  
 Pour steps monolithically with cap.

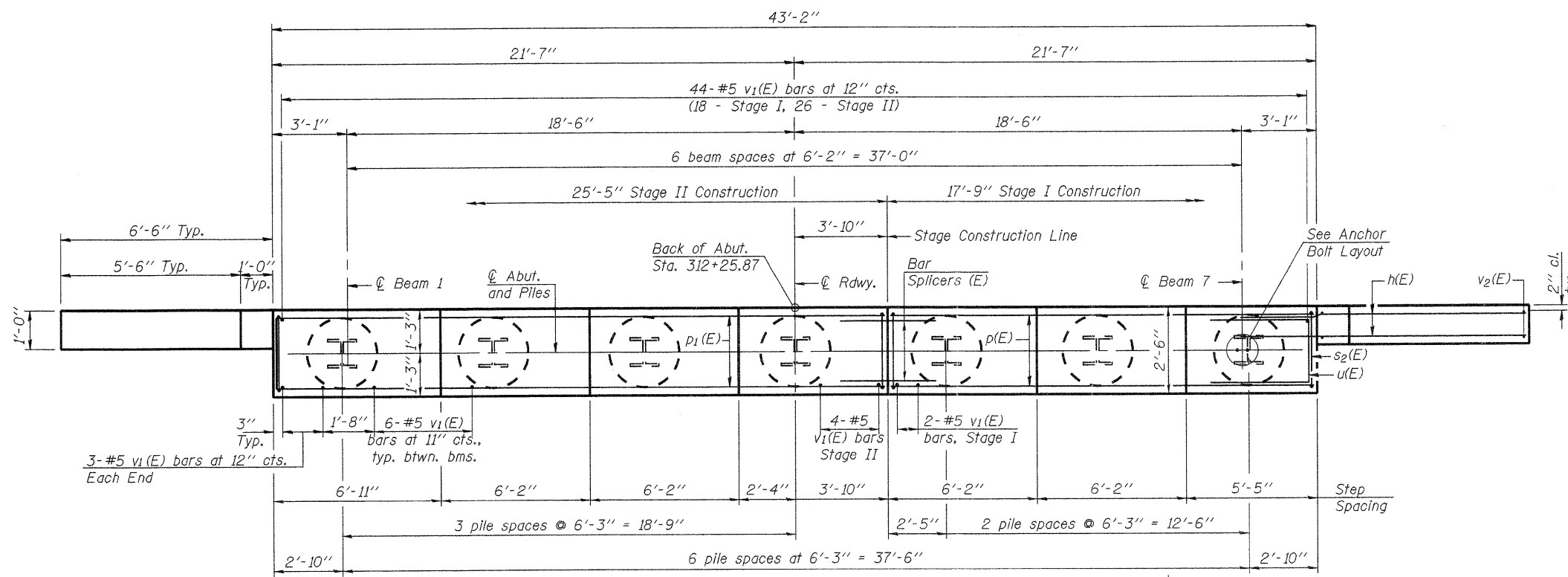


**SEC. THRU ABUT.**

**NORTH ABUTMENT  
 BILL OF MATERIAL**

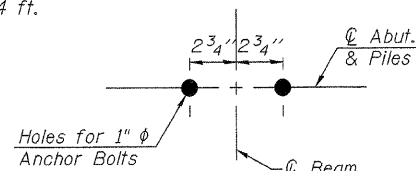
Bar	No.	Size	Length	Shape
h(E)	44	#7	10'-1"	—
p(E)	12	#7	17'-6"	—
p <sub>1</sub> (E)	12	#7	25'-2"	—
s <sub>2</sub> (E)	42	#5	11'-7"	□
u(E)	8	#6	14'-1"	□
v <sub>1</sub> (E)	86	#5	4'-6"	—
v <sub>2</sub> (E)	14	#5	10'-10"	—
Structure Excavation		Cu. Yd.	96	
Concrete Structures		Cu. Yd.	17.4	
Reinforcement Bars, Epoxy Coated		Pound	3,190	
Furnishing Steel Piles, HP12x53		Foot	504	
Driving Piles		Foot	504	
Test Piles, Steel HP12x53		Each	1	
Concrete Encasement		Cu. Yd.	2.4	

For details of Bar Splicers, see sheet 27 of 30.  
 For details of piles and Concrete Encasement, see sheet 26 of 30.

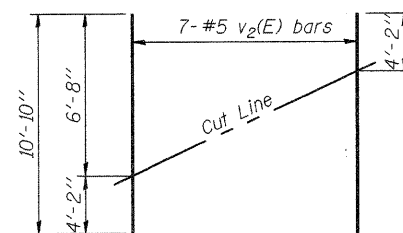


**PILE DATA**

Type:..... HP12x53  
 Nominal Required Bearing:..... 240 k  
 Factored Resistance Available:..... 132 k  
 Est. Length:..... 84 ft.  
 No. Production Piles:..... 6  
 No. Test Piles:..... 1

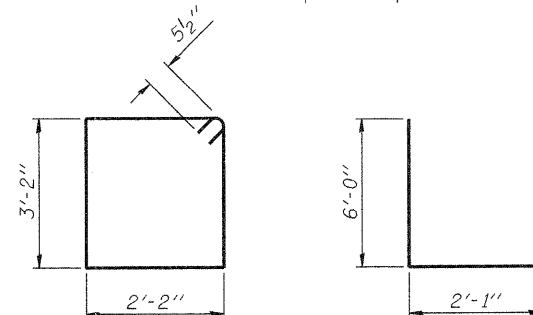


**ANCHOR BOLT  
 LAYOUT**



**FIELD CUTTING DIAGRAM**

Order v<sub>2</sub>(E) full length. Cut as shown and use remainder of bars in opposite face.



**BAR s<sub>2</sub>(E)**

**BAR u(E)**

AI-0 7-1-10



FILE NAME = 0520091-64D57.DGN  
 USER NAME = S.A.P.  
 PLOT SCALE =  
 PLOT DATE = 08/18/11

DESIGNED - A.R.K.  
 CHECKED - J.A.M.  
 DRAWN - S.A.P.  
 CHECKED - A.R.K. & J.A.M.

REVISED -  
 REVISED -  
 REVISED -  
 REVISED -

**STATE OF ILLINOIS  
 DEPARTMENT OF TRANSPORTATION**

**NORTH ABUTMENT  
 STRUCTURE NO. 052-0081**

SHEET NO. 23 OF 30 SHEETS

F.A.P. RTE.	SECTION	COUNTY	TOTAL SHEETS	SHEET NO.
316	102BR-6	LEE	216	85
				CONTRACT NO. 64D57
ILLINOIS FED. AID PROJECT				