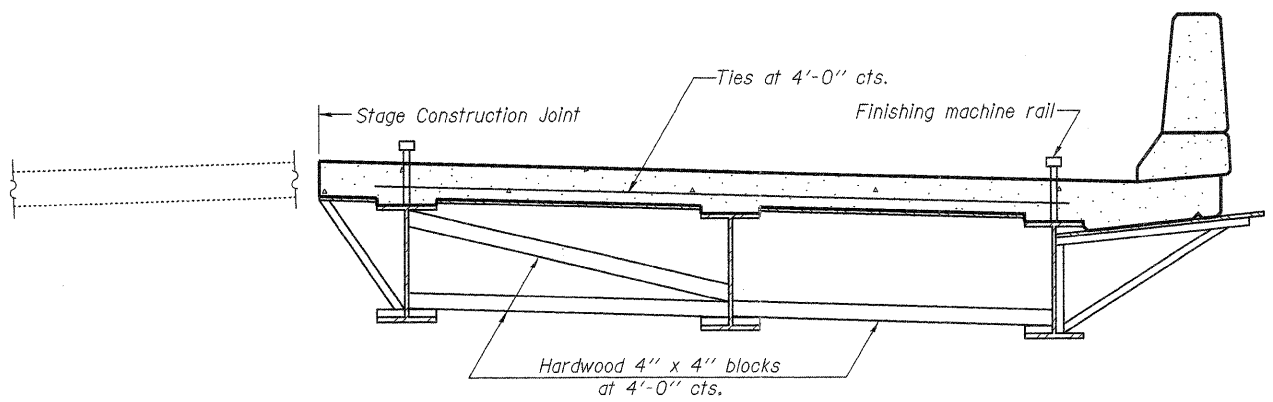


When cantilever forming brackets are used, the work shall be done according to Article 503.06(b) of the Standard Specifications, except as modified below and in the details shown on this sheet.

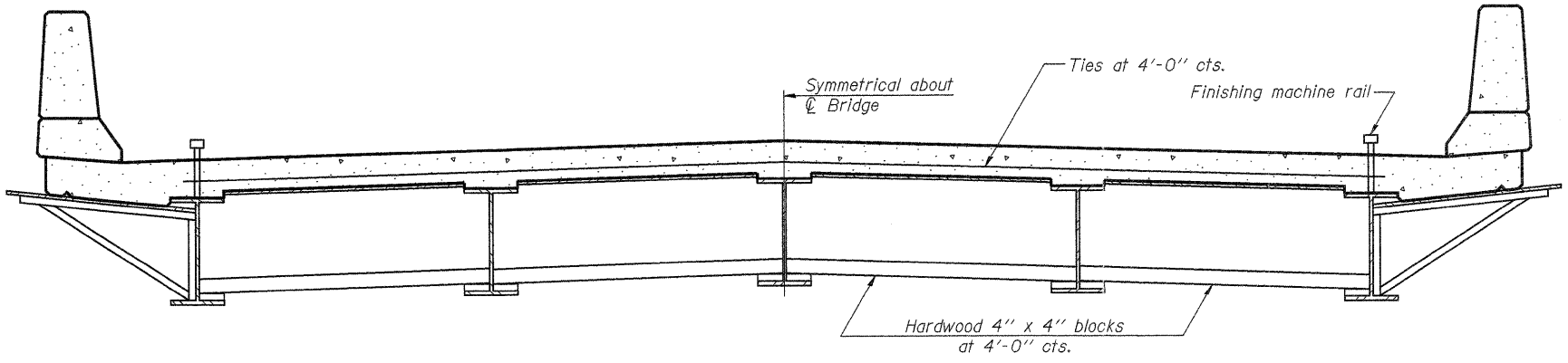
The finishing machine rails shall be placed on the top flange of the exterior beams.

The beams or girders, supporting cantilever forming brackets, shall be tied together at 4 foot intervals.

For Standard construction, or Stage Construction the Hardwood bracing materials shall be placed as shown between webs of beams in each bay.



**FORM BRACES FOR
STAGE CONSTRUCTION**



**FORM BRACES FOR
STANDARD CONSTRUCTION**

SB-1 7-1-10

<p>FEHR-GRAHAM & ASSOCIATES, LLC ENGINEERING AND SCIENCE CONSULTANTS</p>	FILE NAME = 0520080-64057.DGN	DESIGNED - J.A.M.	REVISED -	STATE OF ILLINOIS DEPARTMENT OF TRANSPORTATION	CANTILEVER FORMING BRACKETS FOR SUPERSTRUCTURES WITH W27 BEAMS AND SMALLER STRUCTURE NO. 052-0080	F.A.P. RTE.	SECTION	COUNTY	TOTAL SHEETS	SHEET NO.
	USER NAME = S.A.P.	CHECKED - A.R.K.	REVISED -			316	102BR-5	LEE	216	131
	PLOT SCALE =	DRAWN - S.A.P.	REVISED -			CONTRACT NO. 64057				
	PLOT DATE = 08/10/11	CHECKED - J.A.M. & A.R.K.	REVISED -			ILLINOIS FED. AID PROJECT				
SHEET NO. 30 OF 32 SHEETS										