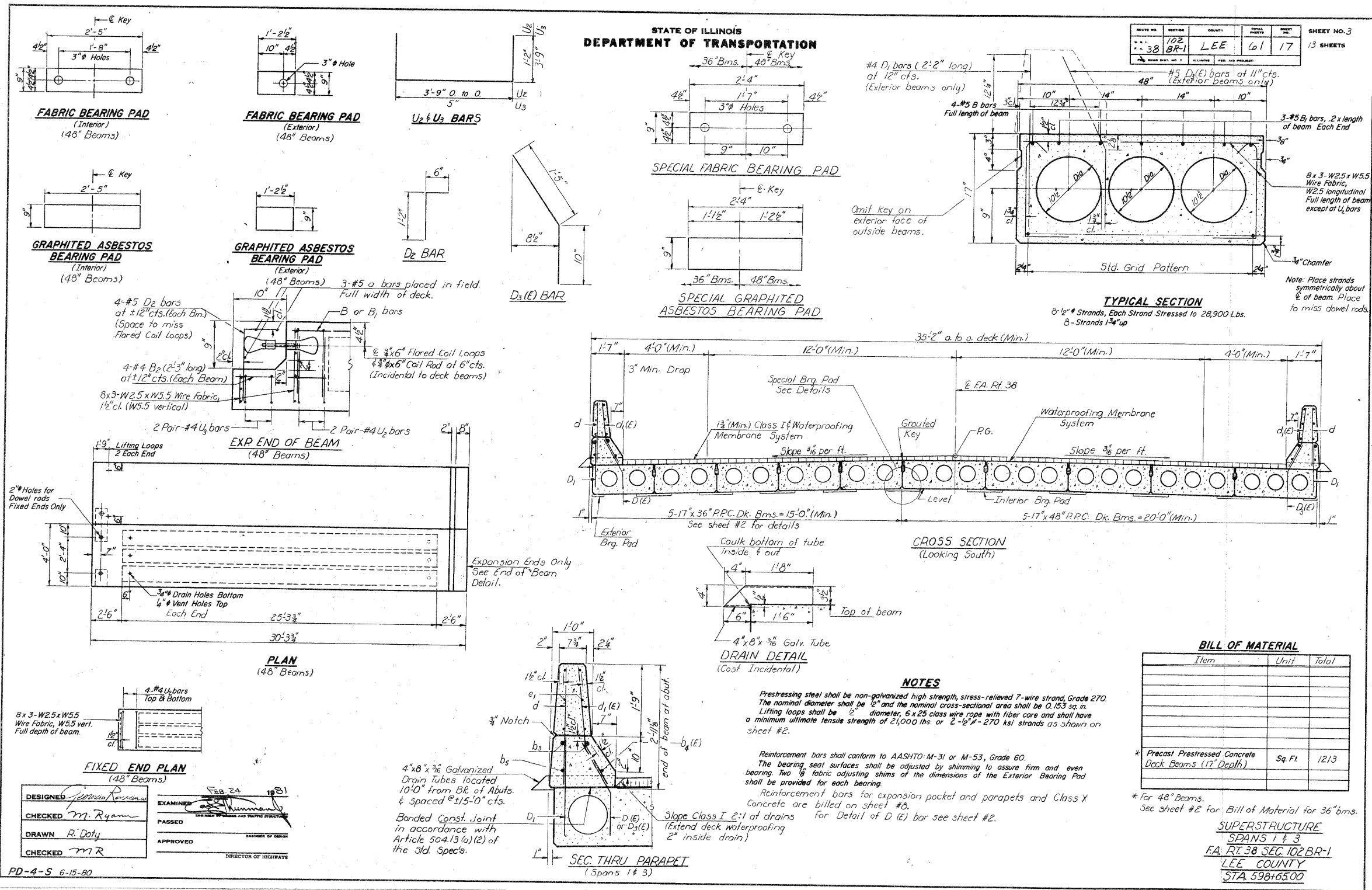


EXISTING STRUCTURE PLANS (FOR REFERENCE ONLY)



FILE NAME =	USER NAME = grantpm	DESIGNED -	REVISED -	STATE OF ILLINOIS DEPARTMENT OF TRANSPORTATION	EXISTING STRUCTURE PLANS				F.A.P. RTE.	SECTION	COUNTY	TOTAL SHEETS	SHEET NO.		
cd:\pw\work\pwsdot\grantpm\dms41810\02-st-typical.dgn		DRAWN -	REVISED -		SCALE:	SHEET NO.	OF	SHEETS	STA.	TO STA.	316	*	LEE	216	136
PLOT SCALE = 58.0000' / in.		CHECKED -	REVISED -						CONTRACT NO. 64D57						
PLOT DATE = Thu Jul 14 09:31:47 2011		DATE -	REVISED -						ILLINOIS FED. AID PROJECT						

• 102BR-5, 102BR-6, & 102BR-7