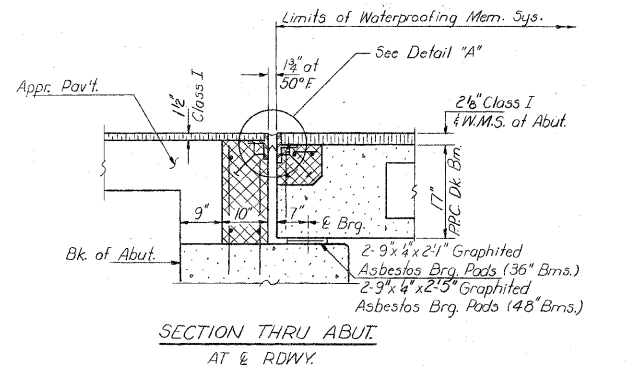


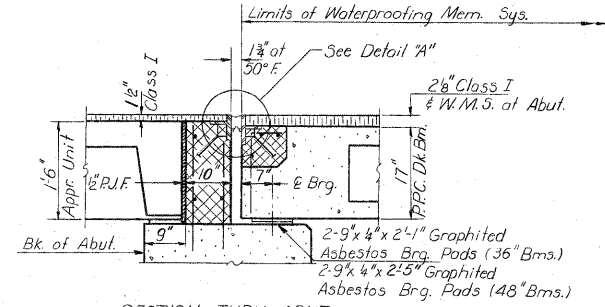
EXISTING STRUCTURE PLANS (FOR REFERENCE ONLY)

STATE OF ILLINOIS
DEPARTMENT OF TRANSPORTATION

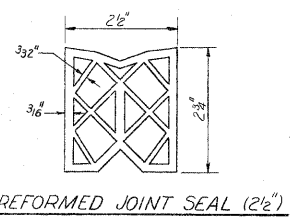
ROUTE NO.	SECTION	COUNTY	SHEET NO.	TOTAL SHEETS
38	102 BR-1	LEE	61 20	13
ILLINOIS FED. AID PROJECT				



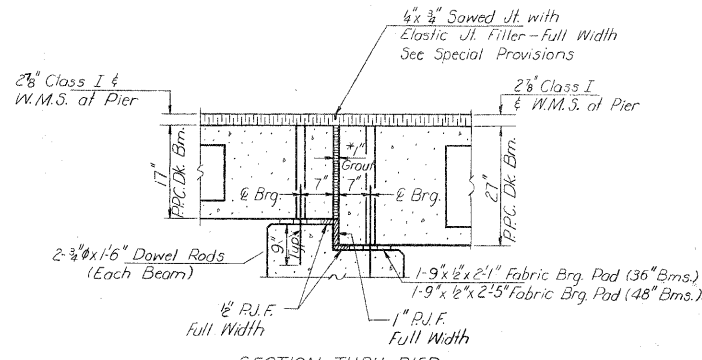
SECTION THRU ABUT.
AT & RDWY.



SECTION THRU ABUT.
AT OUTSIDE BEAM



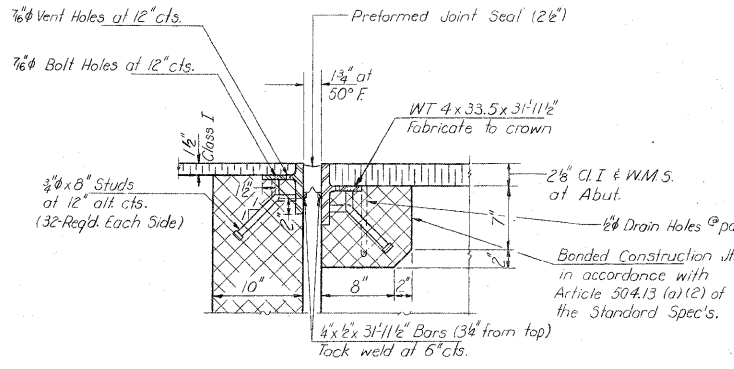
PREFORMED JOINT SEAL (2 1/2")



SECTION THRU PIER
PIER 1 LOOKING EAST
PIER 2 LOOKING WEST

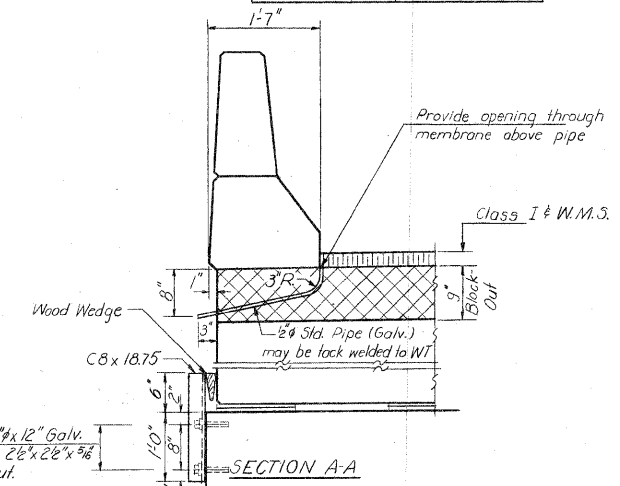
*1" Joint shall be packed with a very dry mix of 2:1 sand and PC mortar. This dimension may vary plus or minus to accommodate tolerance in beam lengths.

Note:
After beams are in place, holes shall be drilled into the bridge seat and the dowel rods grouted in place prior to grouting shear keys.



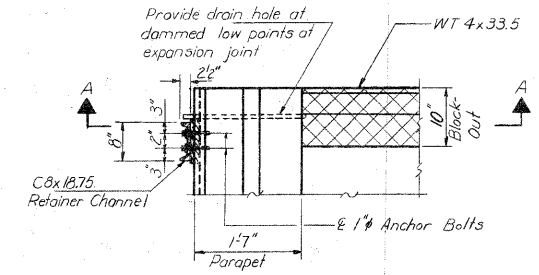
DETAIL "A"

NOTES: Dimensions are at right angles.
Cross hatched areas to be poured after beams have been erected and joints grouted. Quantity of Class X Concrete included with superstructure on sheet #8.
Ends of beams shall be aligned at the expansion joints.
Any linear variation in the beam lengths shall be placed at the fixed ends.
See End of Beam Detail on sheets #2 & #3 for reinforcement.



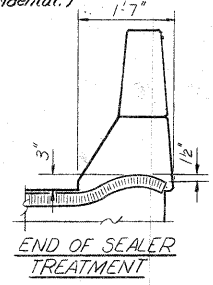
SECTION A-A

*Anchor bolts may be cast into the masonry or placed in drilled holes and grouted in place. Cost including Retainer Channel and Accessories Incidental to Beams.



PLAN - DRAIN HOLES
& RETAINER CHANNEL
AT EXPANSION JOINT

Note: After block-outs are poured and cured the retainer channels shall be removed. Anchor bolts may be left in place. (Cost for removal of retainer channels shall be incidental.)



END OF SEALER
TREATMENT

SUPERSTRUCTURE DETAILS
F.A. RT. 38 SEC. 102 BR-1
LEE COUNTY
STA. 598+65.00

DESIGNED <i>[Signature]</i>	EXAMINED <i>[Signature]</i>
CHECKED <i>[Signature]</i>	PASSED
DRAWN <i>[Signature]</i>	APPROVED
CHECKED <i>[Signature]</i>	DESIGNER OF WORKS

FILE NAME =	USER NAME = grantpm	DESIGNED -	REVISED -	STATE OF ILLINOIS DEPARTMENT OF TRANSPORTATION	EXISTING STRUCTURE PLANS	F.A.P. RTE. 316	SECTION *	COUNTY LEE	TOTAL SHEETS 216	SHEET NO. 139
CONTRACT NO. 64057	ILLINOIS FED. AID PROJECT									
* 102BR-5, 102BR-6, & 102BR-7										