

# EXISTING STRUCTURE PLANS (FOR REFERENCE ONLY)

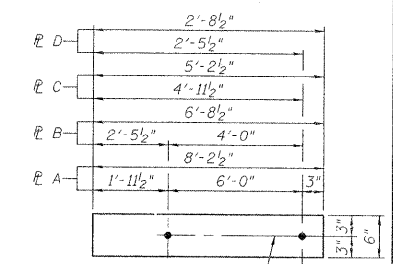
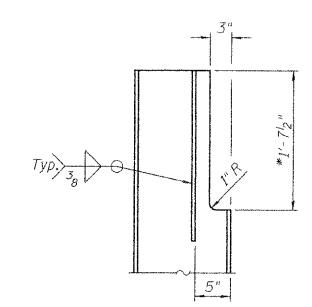
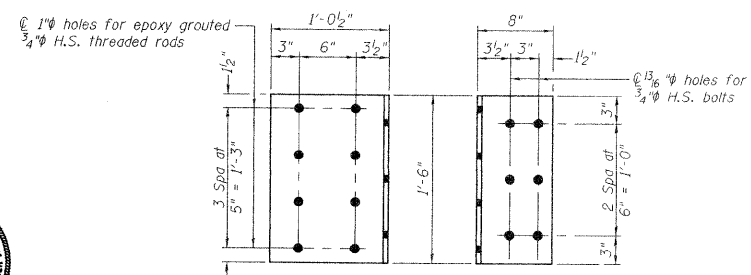
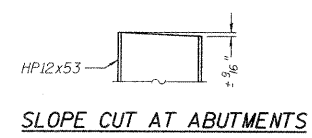
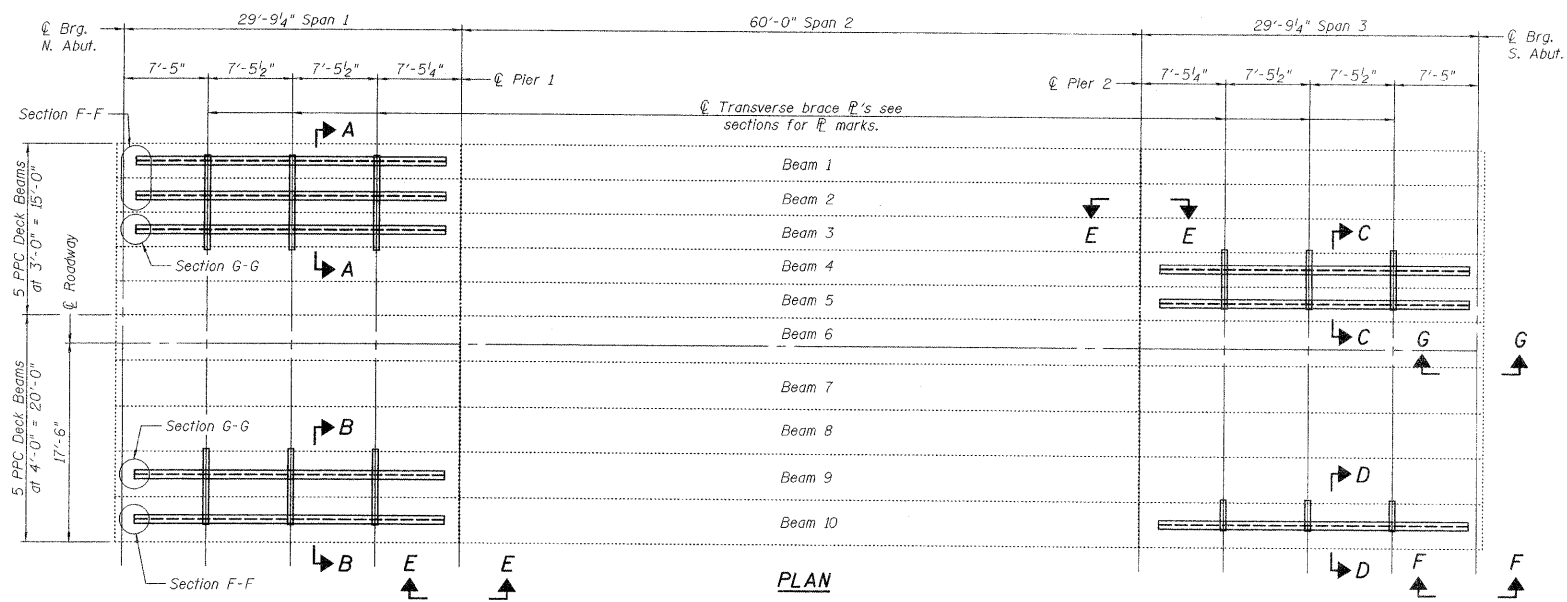
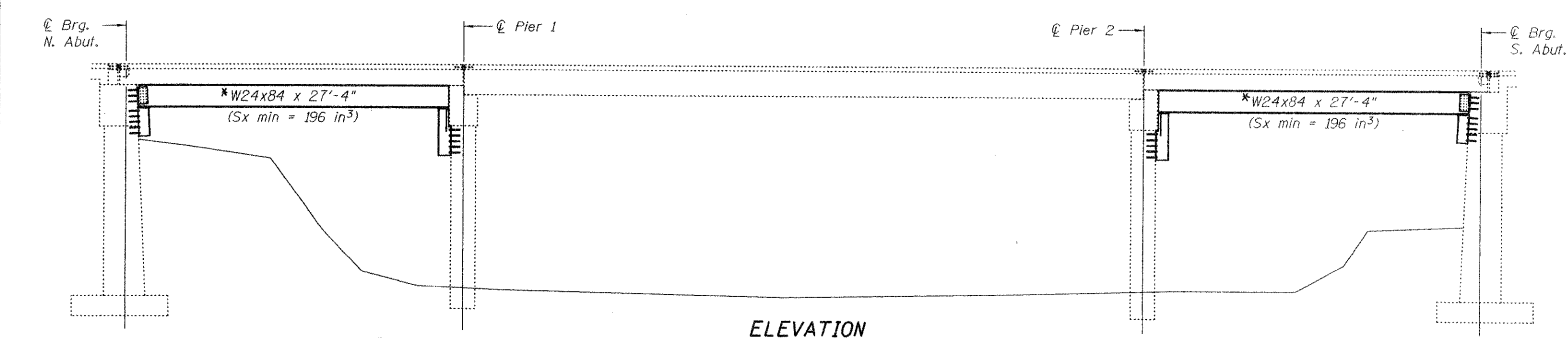
Δ (102BR)M & (102BR)-UM-1

STATE OF ILLINOIS  
DEPARTMENT OF TRANSPORTATION

ROUTE NO.	SECTION	COUNTY	SHEETS	SHEET NO.
316	Δ	LEE	28	5
SHEET NO. 1				
2 SHEETS				

Contract Number: 64B28

\*Other sections meeting the minimum section modulus shown may be used, subject to approval by the Bureau of Bridges and Structures. The maximum girder depth provided shall be 30".



(R A 1/2" x 6" x 8'-2 1/2" 3 Req'd)  
 (R B 1/2" x 6" x 6'-8 1/2" 3 Req'd)  
 (R C 1/2" x 6" x 5'-2 1/2" 3 Req'd)  
 (R D 1/2" x 6" x 2'-8 1/2" 3 Req'd)

\*This dimension can be reduced if existing field conditions allow it.

DESIGNED	Victor H. Volk	DATE	June 21, 2007
CHECKED	[Signature]	EXAMINED	[Signature]
DRAWN	[Signature]	PASSED	[Signature]
CHECKED	VHV		



Expires: November 30, 2008

**TOTAL BILL OF MATERIAL**

ITEM	UNIT	QUANTITY
Furnishing and Erecting Structural Steel	Pound	23,360

**PLAN AND ELEVATION**

F.A.P. RT. 316  
LEE COUNTY  
SN 052-0026

FILE NAME =	USER NAME = grantpm	DESIGNED -	REVISED -	<b>STATE OF ILLINOIS DEPARTMENT OF TRANSPORTATION</b>	<b>EXISTING STRUCTURE PLANS</b>				F.A.P. RTE. 316	SECTION *	COUNTY LEE	TOTAL SHEETS 216	SHEET NO. 149
os:\p\work\p\dot\grantpm\dms41810\02-sh-t\typical.dgn	PLOT SCALE = 50.0000' / in.	DRAWN -	REVISED -		SCALE:	SHEET NO.	OF SHEETS	STA.	TO STA.	CONTRACT NO. 64D57			
PLOT DATE = Thu Jul 14 09:31:47 2011		CHECKED -	REVISED -						ILLINOIS FED. AID PROJECT				
		DATE -	REVISED -						102BR-5, 102BR-6, & 102BR-7				