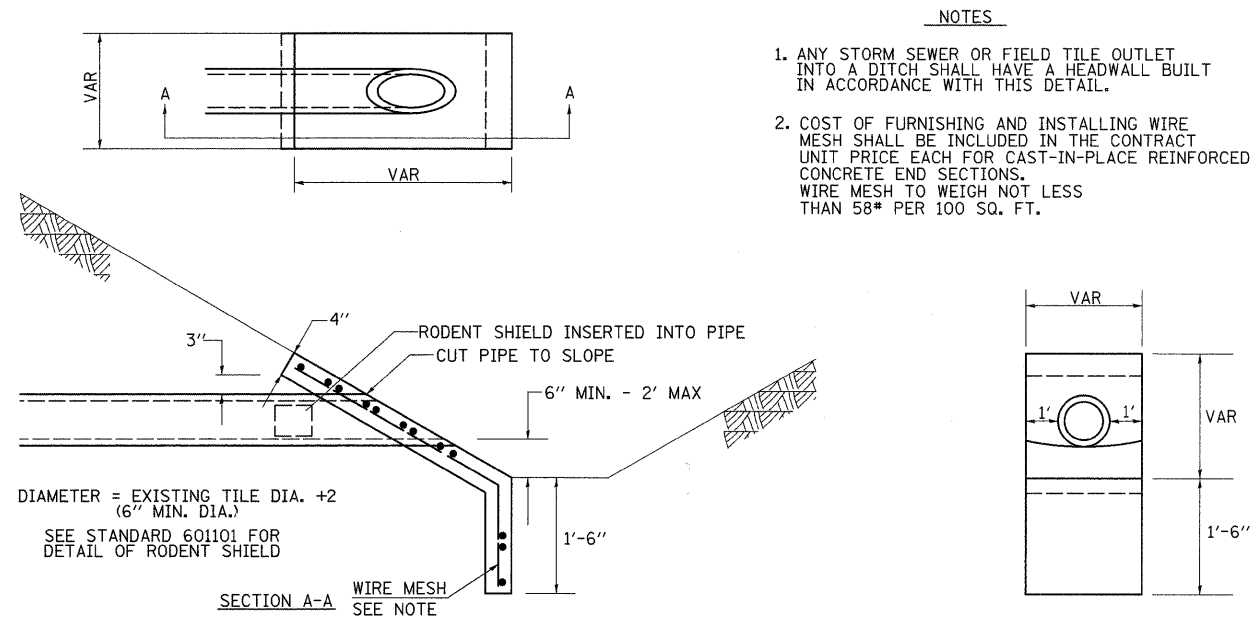


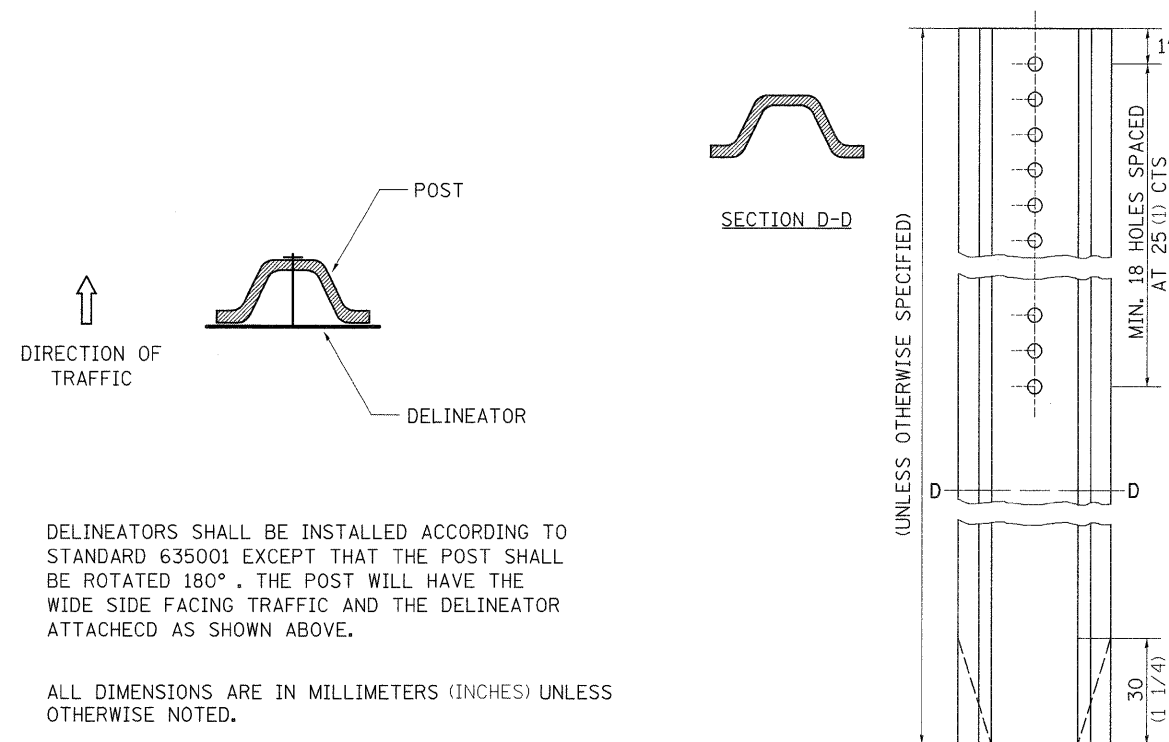
CAST-IN-PLACE REINFORCED CONCRETE END SECTIONS



REVISED - 9-07-10

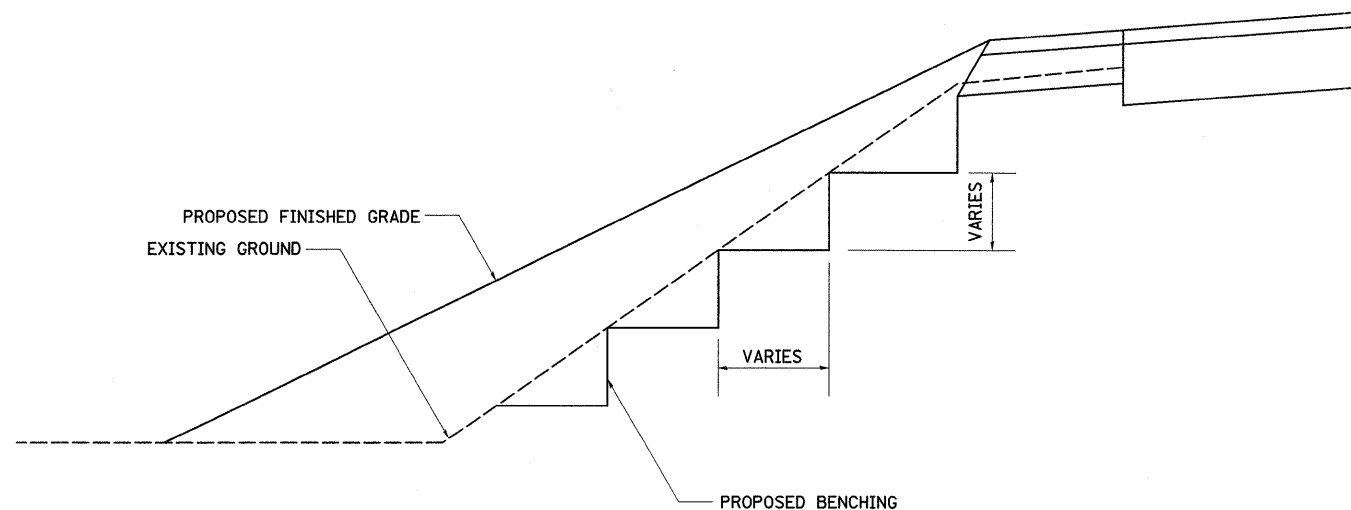
CAST-IN-PLACE REINFORCED CONCRETE END SECTIONS 28.4

DELINEATOR AND POST ORIENTATION



DELINEATOR AND POST ORIENTATION 37.4

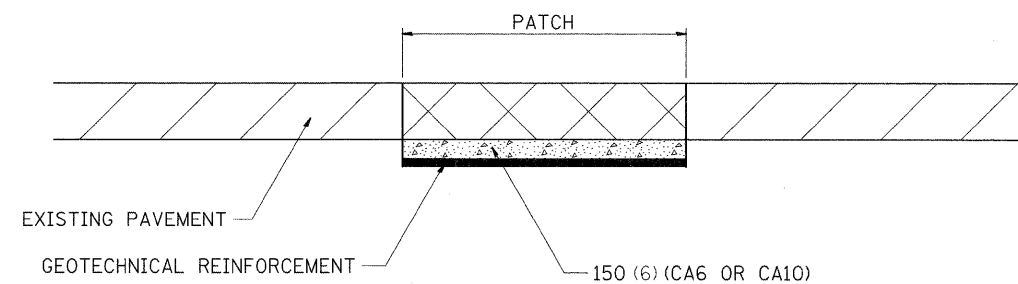
TYPICAL BENCHING ON EXISTING EMBANKMENT



REVISED - 2-22-06

TYPICAL BENCHING ON EXISTING EMBANKMENT 50.4

SUBGRADE REPLACEMENT



NOTES:

THE CA 6 OR CA 10 SHALL BE COMPACTED IN A MANNER APPROVED BY THE ENGINEER. IF THE MOISTURE CONTENT OF THE MATERIAL IS SUCH THAT COMPACTION SATISFACTORY TO THE ENGINEER CANNOT BE OBTAINED, SUFFICIENT WATER SHALL BE ADDED SO THAT SATISFACTORY COMPACTION CAN BE OBTAINED.

THE CA 6 OR CA 10 WILL BE PAID FOR AT THE CONTRACT UNIT PRICE PER CU YD FOR GRANULAR SUBGRADE REPLACEMENT

THE GEOTECHNICAL REINFORCEMENT WILL BE PAID FOR AT THE CONTRACT UNIT PRICE PER SQ YD FOR GEOTECHNICAL REINFORCEMENT

ALL DIMENSIONS ARE IN MILLIMETERS (INCHES) UNLESS OTHERWISE NOTED.

REVISED - 1-09-08	REGION 2 / DISTRICT 2 STANDARD	F.A.P. RTE. 316	SECTION *	COUNTY LEE	TOTAL SHEETS 216	SHEET NO. 168
REVISED -		SCALE: 50.0000' / 1" SHEET NO. OF SHEETS STA. TO STA.		CONTRACT NO. 64D57		
REVISED -		FED. ROAD DIST. NO. ILLINOIS FED. AID PROJECT		CONTRACT NO. 64D57		
REVISED -		SCALE: 50.0000' / 1" SHEET NO. OF SHEETS STA. TO STA.		CONTRACT NO. 64D57		

PLOT DATE = Tue Aug 23 06:20:36 2011