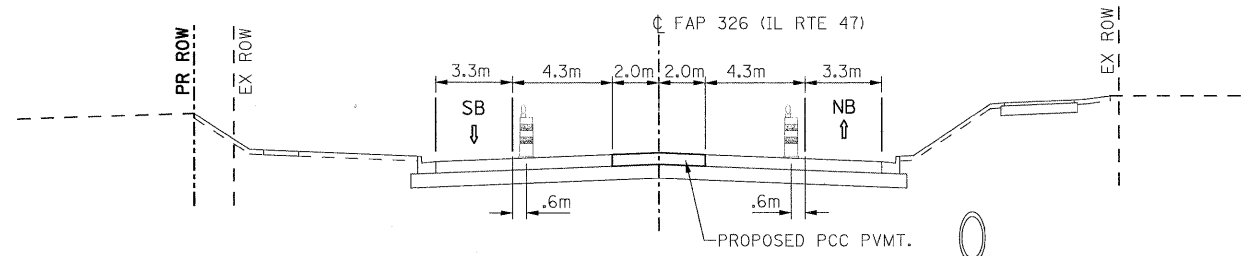
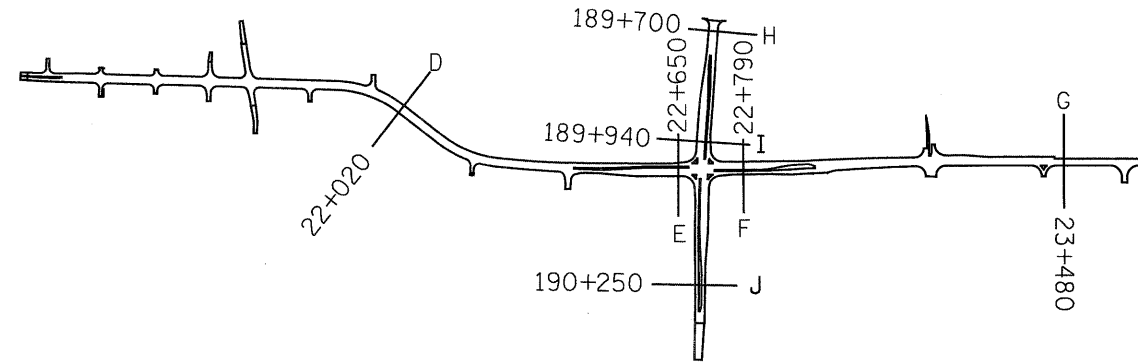
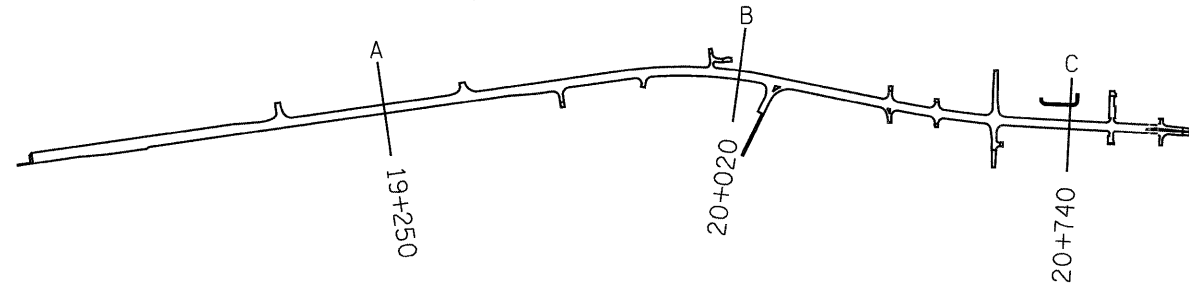
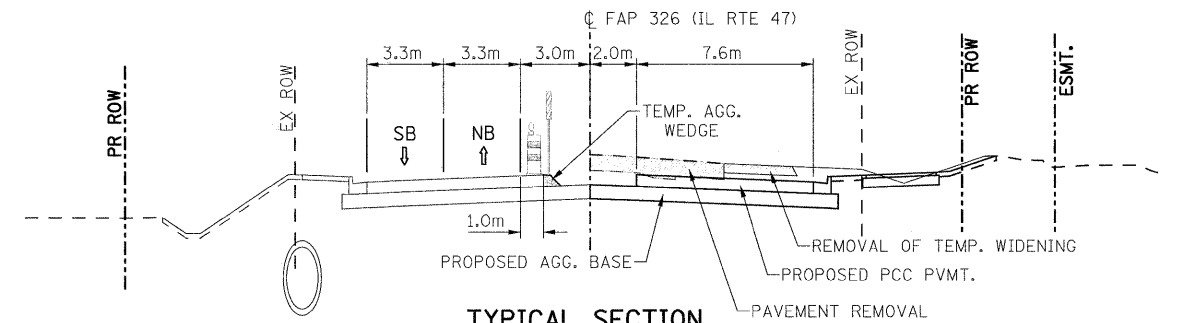


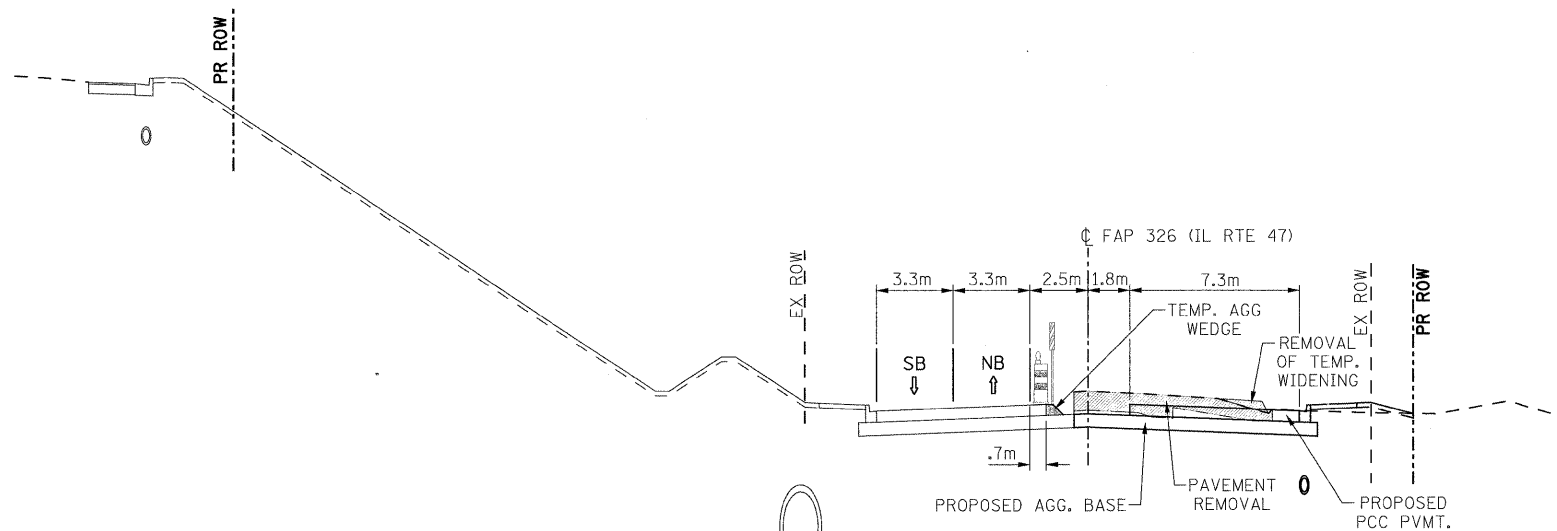
F.A.P. RTE.	SECTION	COUNTY	TOTAL SHEETS	SHEET NO.
326	(5CS,13C,108,109)R	KENDALL	931	272
STA.	TO STA.			
FED. ROAD DIST. NO.	ILLINOIS FED. AID PROJECT			



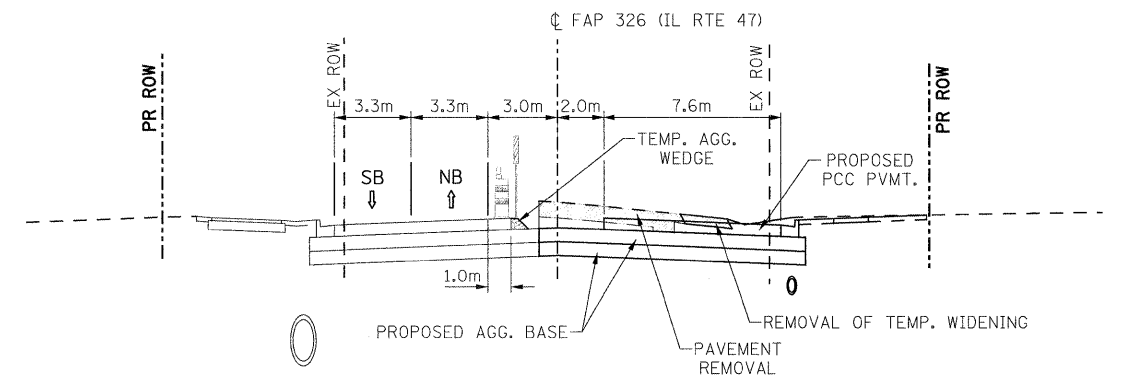
**TYPICAL SECTION  
STAGE 3  
SECTION A**



**TYPICAL SECTION  
STAGE 3  
SECTION B**



**TYPICAL SECTION  
STAGE 3  
SECTION C**



**TYPICAL SECTION  
STAGE 3  
SECTION D**

FILE: 270-278STAGE.TYPICALS.dgn  
PLOTTED: 8/11/2011

HMC JOB NO. 5122