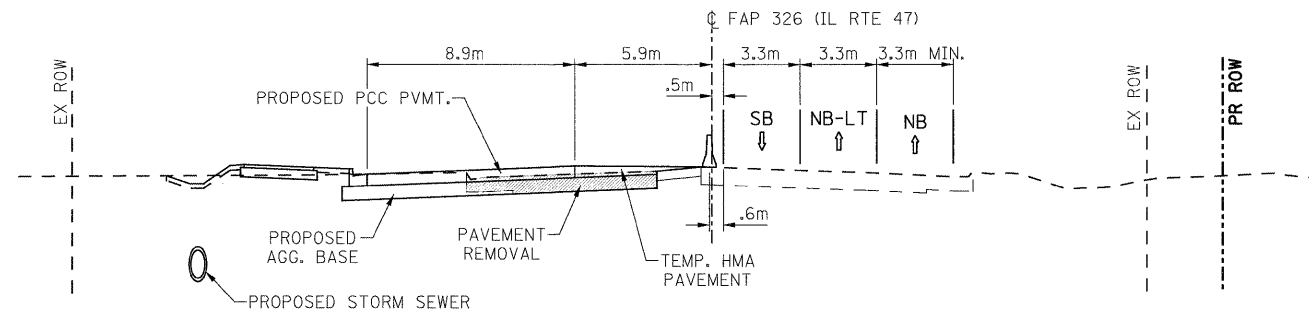
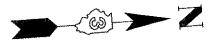
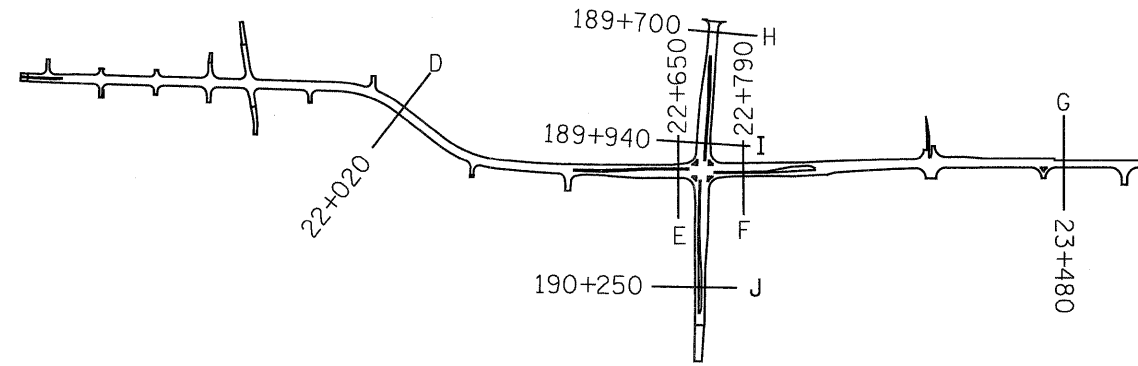
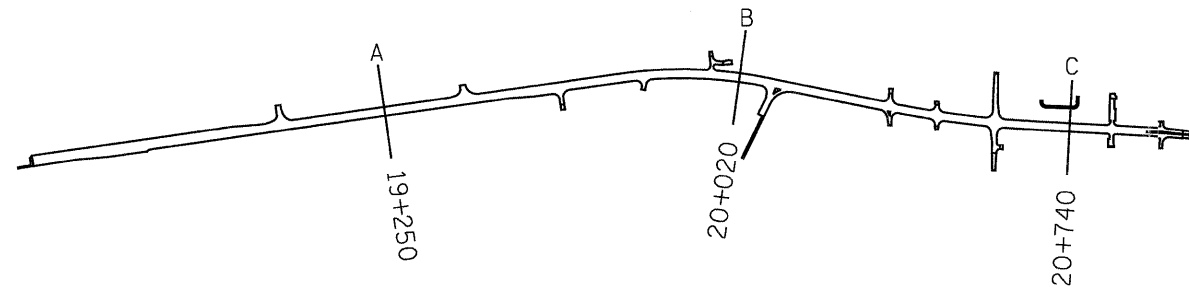
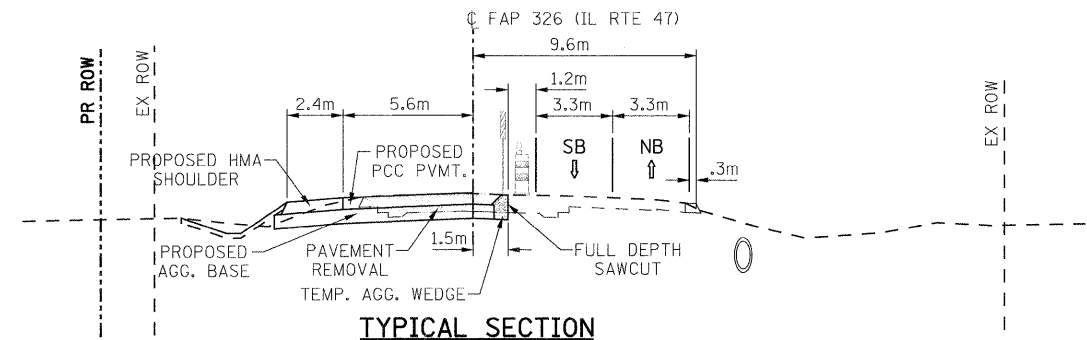


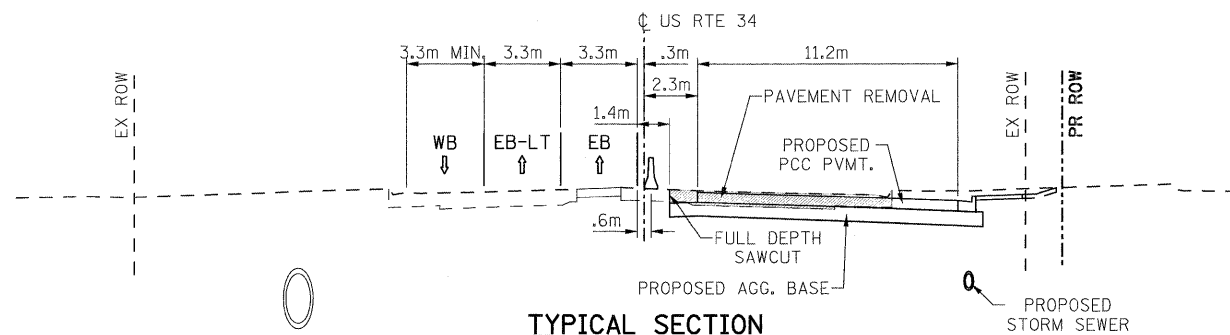
F.A.P. RTE.	SECTION	COUNTY	TOTAL SHEETS	SHEET NO.
326	6CS,13C,108,109R	KENDALL	931	274
STA.		TO STA.		
FED. ROAD DIST. NO.		ILLINOIS FED. AID PROJECT		



**TYPICAL SECTION
STAGE 5
SECTION E**



**TYPICAL SECTION
STAGE 5
SECTION G**



**TYPICAL SECTION
STAGE 5
SECTION I**

FILE: 270-278STAGE_TYPICALS.dgn
PLOTTED: 8/11/2011

HMG JOB NO. 5122