

F.A.P. RTE.	SECTION	COUNTY	TOTAL SHEETS	SHEET NO.
326	*	KENDALL	931	592
STA. N/A		TO STA. N/A		
FED. ROAD DIST. NO. 5		ILLINOIS FED. AID PROJECT		

TEMPORARY CABLE DIAGRAM LEGEND

- TEMPORARY CONTROLLER
- TEMPORARY SERVICE INSTALLATION
- TEMPORARY TRAFFIC SIGNAL HEAD W/ BACKPLATE
- DENOTES NUMBER OF CONDUCTORS
- VIDEO DETECTION SYSTEM
- TEMPORARY PEDESTRIAN SIGNAL HEAD WITH COUNTDOWN DISPLAY
- TEMPORARY PEDESTRIAN PUSH BUTTON
- TEMPORARY LUMINAIRE, SODIUM VAPOR, 400 WATT

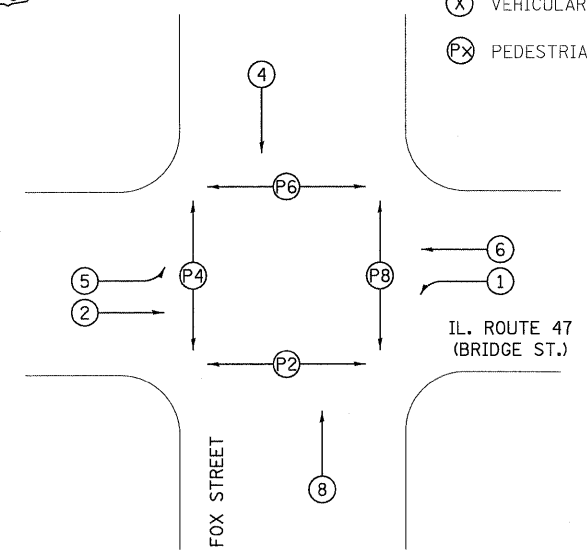
- VIDEO CAMERA CABLE  
6 PAIRS, TWISTED REQUIRED  
3 PAIRS CONDUCTOR FOR POWER  
- 24V AC (AC+, AC-, GND)  
1 PAIR DATA  
1 PAIR COMPOSITE VIDEO  
1 PAIR DETECTOR DATA  
OVERALL SHIELD  
MINIMUM 16AWG (PAIRS)  
(TO BE INCLUDED IN THE BID PRICE FOR VEHICLE VIDEO DETECTION SYSTEM)
- SERVICE CABLE  
ELECTRIC CABLE IN CONDUIT,  
SERVICE, NO.6 2C
- LIGHTING CABLE  
600V (XLP-TYPE USE) 3 - 1/C NO.10

REVISIONS	
NAME	DATE

ILLINOIS DEPARTMENT OF TRANSPORTATION  
PROPOSED TEMPORARY  
CABLE DIAGRAM  
IL. 47 (BRIDGE ST.)/  
FOX STREET  
SCALE: NONE DRAWN BY: SL  
DATE: MARCH, 2010 CHECKED BY: KC

LEGEND

- VEHICULAR PHASE NO. x
- PEDESTRIAN PHASE NO. x



PHASE DESIGNATION DIAGRAM

REMOVE EXISTING TRAFFIC SIGNAL EQUIPMENT 1 EACH

THE FOLLOWING TRAFFIC SIGNAL EQUIPMENT SHALL BE REMOVED AND REMAIN THE PROPERTY OF THE CONTRACTOR, IF IT IS NOT BEING USED FOR THE TEMPORARY TRAFFIC SIGNAL INSTALLATION.

- 4 EACH MAST ARM ASSEMBLY AND POLE
- 10 EACH SIGNAL HEAD
- ALL PEDESTRIAN SIGNAL HEADS AND NON-CONFORMING PUSH-BUTTONS

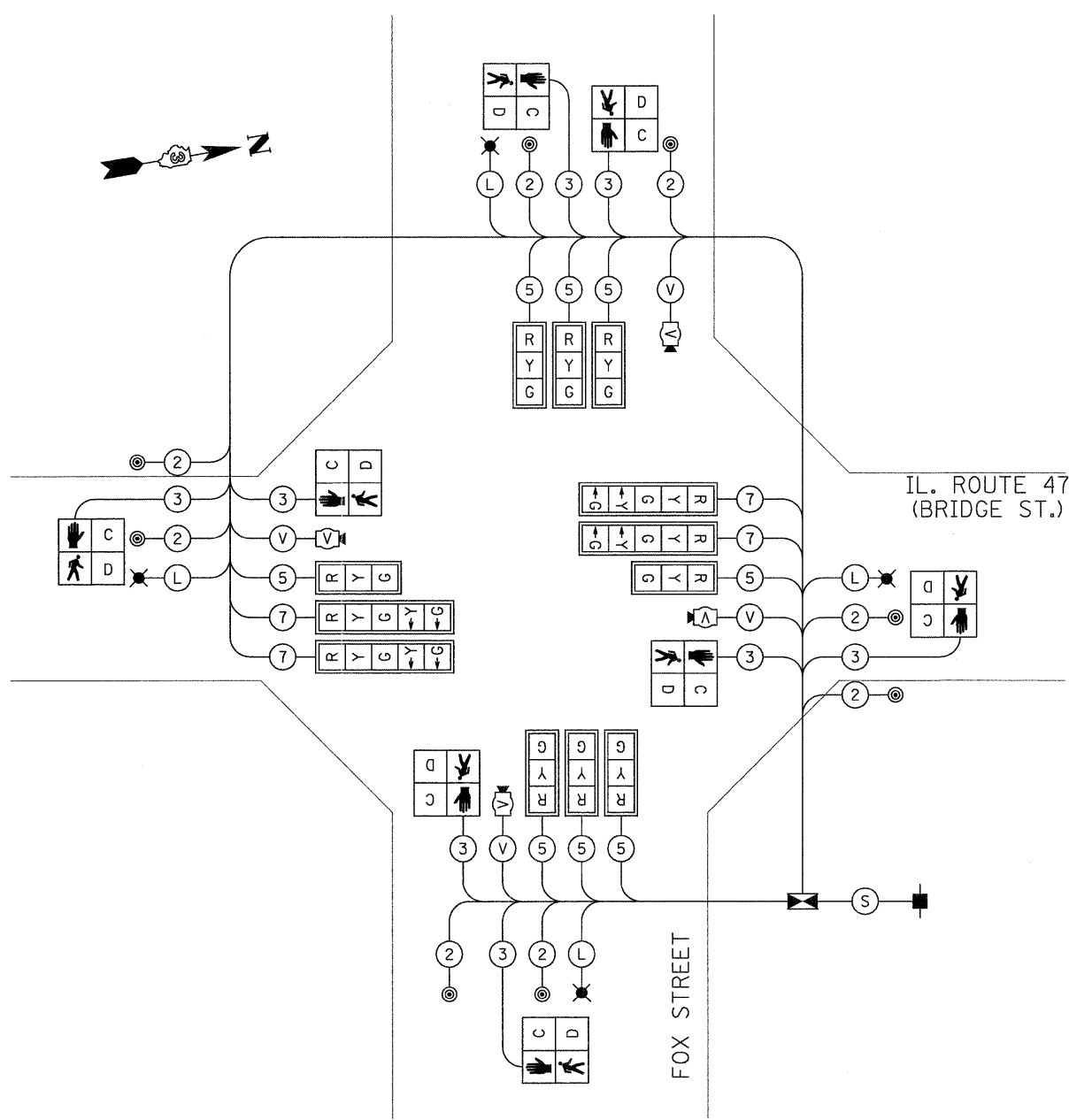
ALL REMAINING REMOVAL ITEMS EXCEPT AS SPECIFIED BELOW SHALL BE REMOVED AND DELIVERED BY THE CONTRACTOR TO THE CITY OF YORKVILLE, 610 TOWER LANE, YORKVILLE, IL.

THE FOLLOWING ITEMS SHALL BE REMOVED AND DISPOSED OF BY THE CONTRACTOR OFF THE RIGHT-OF-WAY. THE SALVAGE VALUE OF THIS EQUIPMENT SHALL BE REFLECTED IN THE UNIT BID PRICE OF REMOVE EXISTING TRAFFIC SIGNAL EQUIPMENT.

- 1 EACH SERVICE INSTALLATION
- ALL WIRES

SCHEDULE OF REMOVAL ITEMS

ITEM	LOCATION	UNIT	QUANTITIES
REMOVE EXISTING CONCRETE FOUNDATION	A, B, C, D, E	EACH	5
REMOVE EXISTING HANDHOLE	EH1, EH2, EH3, EH4, EH5, EH6	EACH	6
REMOVE EXISTING JUNCTION BOX	EJ1	EACH	1



TEMPORARY CABLE DIAGRAM

PLOT DATE = 8/11/2011  
FILE NAME = h:\122\design\591-992fox\_remdgn  
PLOT SCALE = 6:3600 in / in  
USER NAME = JSENDERSC