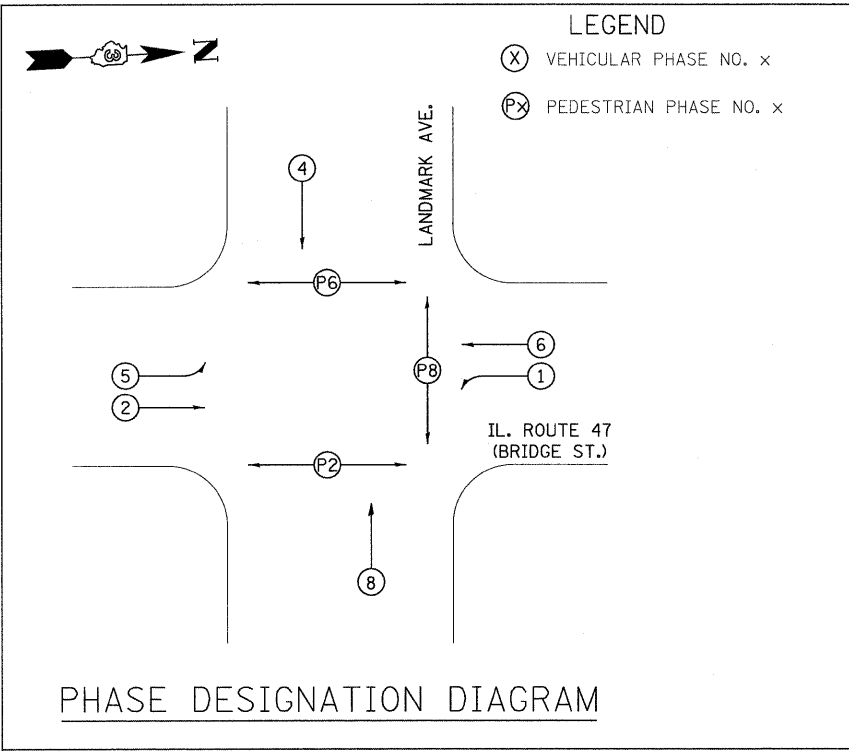
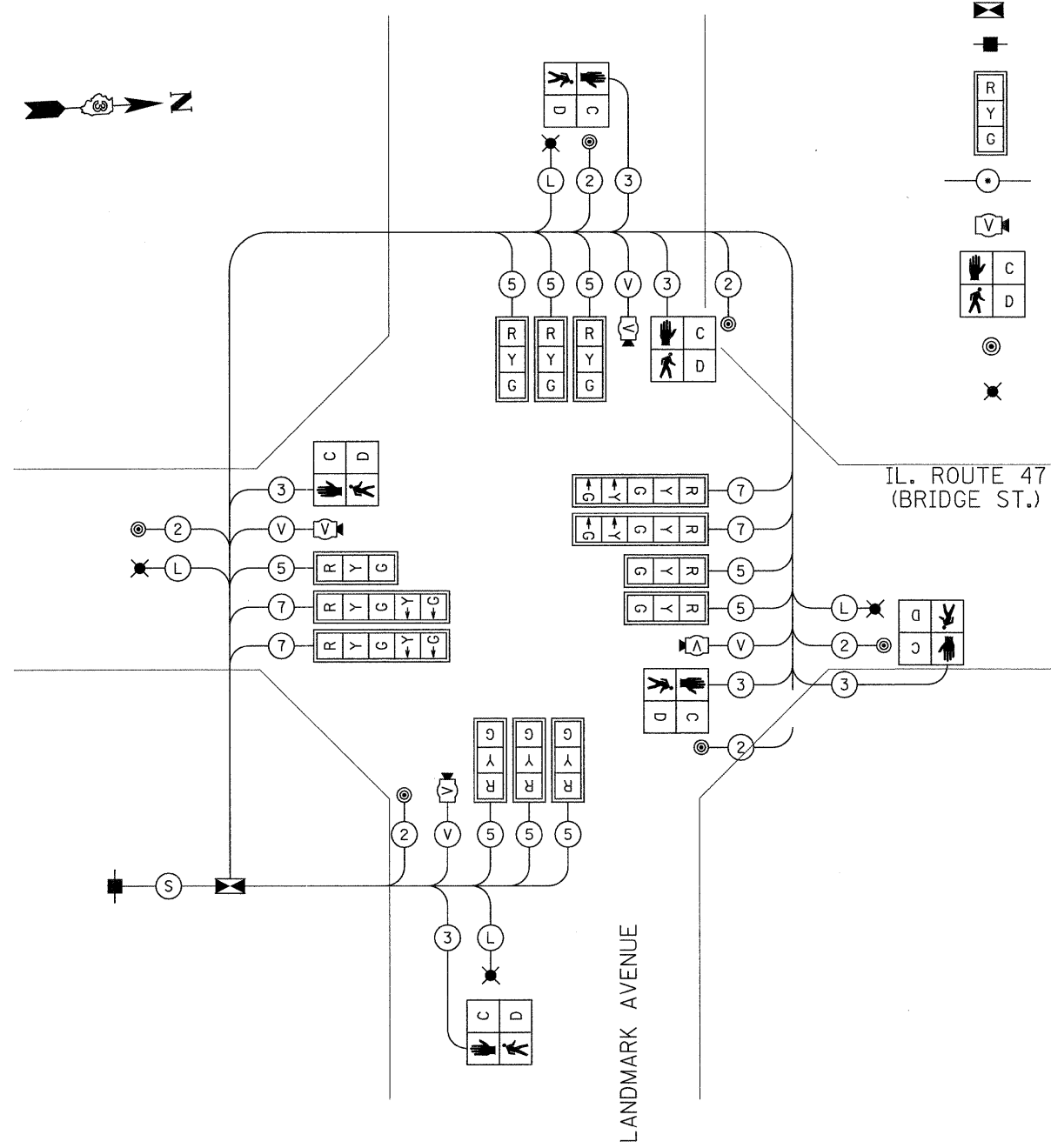


F.A.P. RTE.	SECTION	COUNTY	TOTAL SHEETS	SHEET NO.
326	*	KENDALL	931	607
STA. N/A		TO STA. N/A		
FED. ROAD DIST. NO. 5		ILLINOIS FED. AID PROJECT		



TEMPORARY CABLE DIAGRAM LEGEND

- CONTROLLER
- SERVICE INSTALLATION
- TEMPORARY TRAFFIC SIGNAL HEAD W/ BACKPLATE
- DENOTES NUMBER OF CONDUCTORS
- VIDEO DETECTION SYSTEM
- TEMPORARY PEDESTRIAN SIGNAL HEAD WITH COUNTDOWN DISPLAY
- TEMPORARY PEDESTRIAN PUSH BUTTON
- TEMPORARY LUMINAIRE, SODIUM VAPOR, 400 WATT



- (V) **VIDEO CAMERA CABLE**
6 PAIRS, TWISTED REQUIRED
3 PAIRS CONDUCTOR FOR POWER - 24V AC (AC+, AC-, GND)
1 PAIR DATA
1 PAIR COMPOSITE VIDEO
1 PAIR DETECTOR DATA
OVERALL SHIELD MINIMUM 16AWG (PAIRS) (TO BE INCLUDED IN THE BID PRICE FOR VEHICLE VIDEO DETECTION SYSTEM)
- (S) **SERVICE CABLE**
ELECTRIC CABLE IN CONDUIT, SERVICE, NO.6 2C
- (L) **LIGHTING CABLE**
600V (XLP-TYPE USE) 3 - 1/C NO.10

REMOVE EXISTING TRAFFIC SIGNAL EQUIPMENT 1 EACH

THE FOLLOWING TRAFFIC SIGNAL EQUIPMENT SHALL BE REMOVED AND REMAIN THE PROPERTY OF THE CONTRACTOR, IF IT IS NOT BEING USED FOR THE TEMPORARY TRAFFIC SIGNAL INSTALLATION.

- 4 EACH MAST ARM ASSEMBLY AND POLE
- 2 EACH SIGNAL POST

ALL REMAINING REMOVAL ITEMS EXCEPT AS SPECIFIED BELOW SHALL BE REMOVED AND DELIVERED BY THE CONTRACTOR TO THE CITY OF YORKVILLE, 610 TOWER LANE, YORKVILLE, IL.

THE FOLLOWING ITEMS SHALL BE REMOVED AND DISPOSED OF BY THE CONTRACTOR OFF THE RIGHT-OF-WAY. THE SALVAGE VALUE OF THIS EQUIPMENT SHALL BE REFLECTED IN THE UNIT BID PRICE OF REMOVE EXISTING TRAFFIC SIGNAL EQUIPMENT.

- 1 EACH SERVICE INSTALLATION
- ALL WIRES

SCHEDULE OF REMOVAL ITEMS

ITEM	LOCATION	UNIT	QUANTITIES
REMOVE EXISTING CONCRETE FOUNDATION	A, B, C, D E, F, G	EACH	7
REMOVE EXISTING HANDHOLE	EH1, EH2, EH3, EH4, EH5, EH6, EH7, EH8, EH9	EACH	9

TEMPORARY CABLE DIAGRAM

REVISIONS		ILLINOIS DEPARTMENT OF TRANSPORTATION PROPOSED TEMPORARY CABLE DIAGRAM IL. 47 (BRIDGE ST.)/ LANDMARK AVENUE
NAME	DATE	

SCALE: NONE
DATE: MARCH, 2010
DRAWN BY: SL
CHECKED BY: KC

PLOT DATE = 8/11/2011
FILE NAME = h:\5122\design\606-6871\landmark_rem.dgn
PLOT SCALE = 6.3500 in / IN.
USER NAME = JOSEPH.SCAL