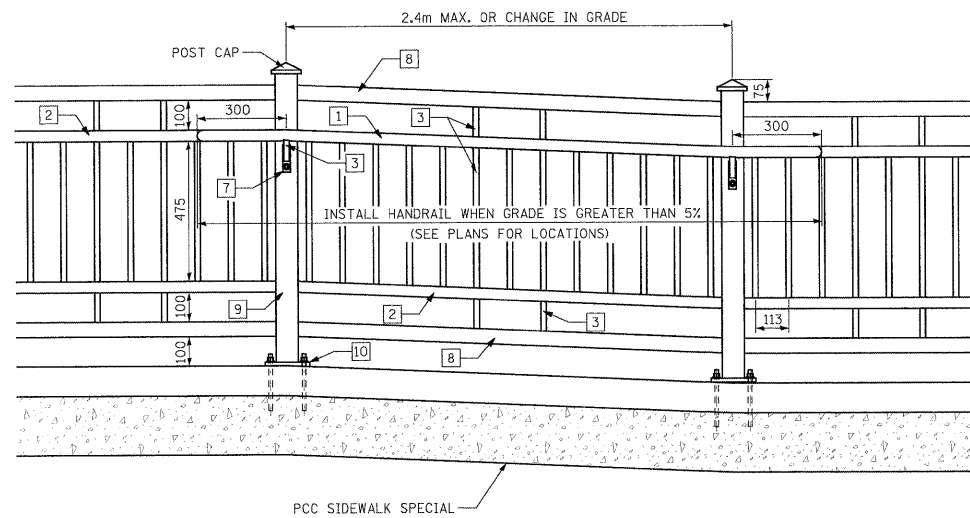
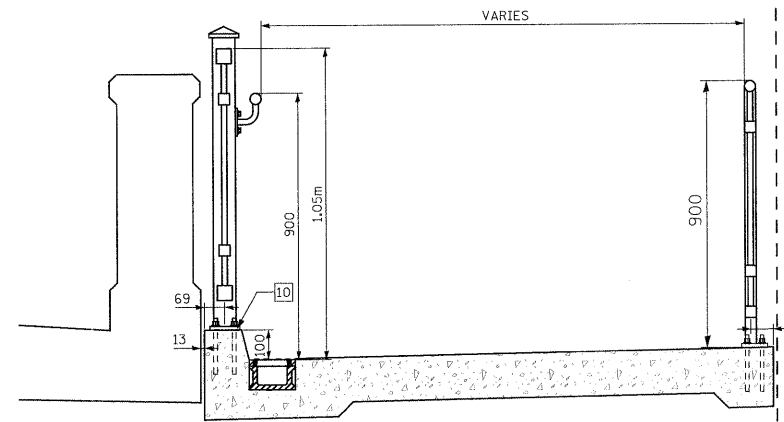


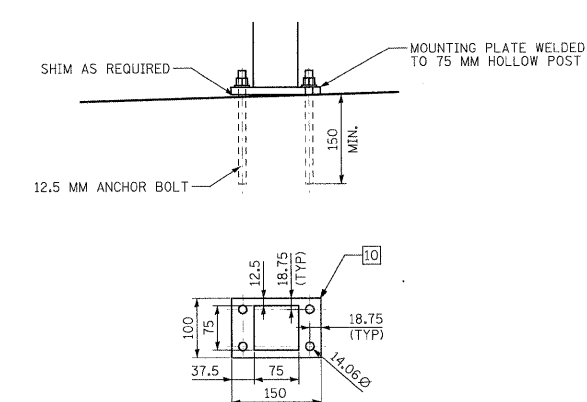
F.A.P. RTE.	SECTION	COUNTY	TOTAL SHEETS	SHEET NO.
326	(SCS,13C,108,109)R	KENDALL	931	688
STA.	TO STA.			
FED. ROAD DIST. NO.	ILLINOIS	FED. AID PROJECT		



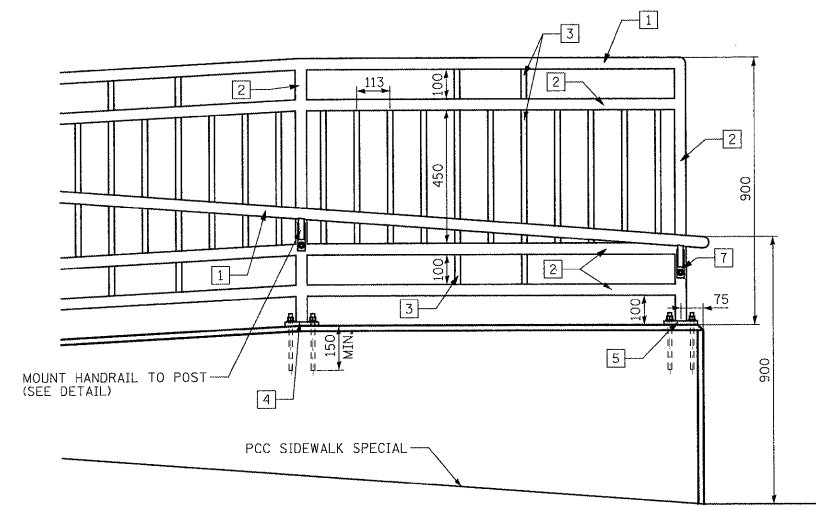
ELEVATION
DECORATIVE FENCE



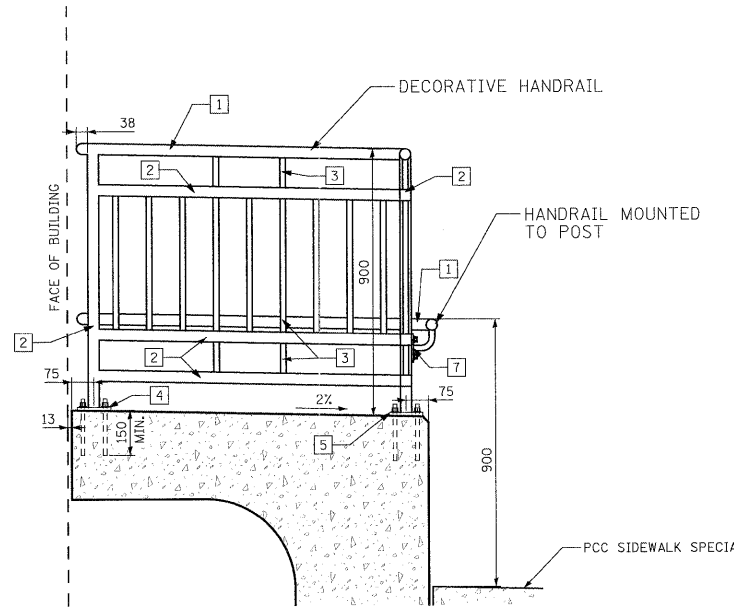
SECTION
DECORATIVE FENCE AND HANDRAIL



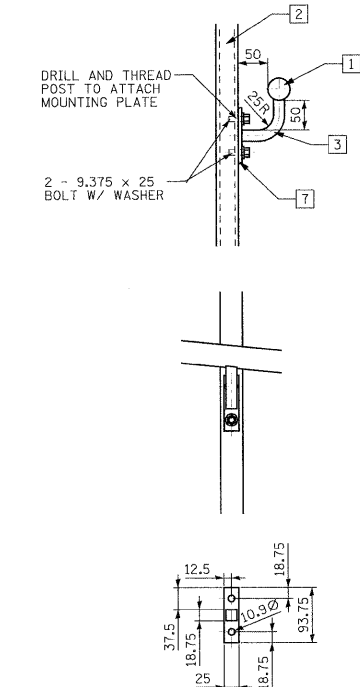
FENCE POST MOUNTING DETAIL



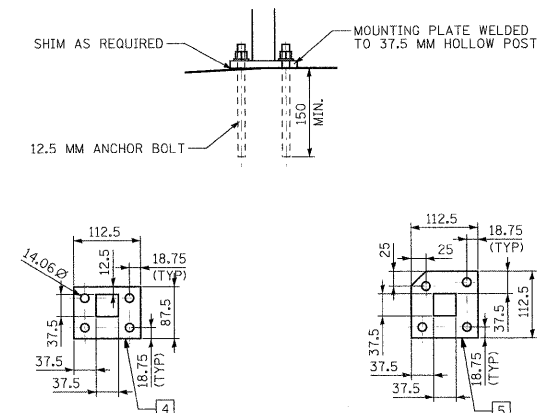
FRONT ELEVATION
DECORATIVE HANDRAIL



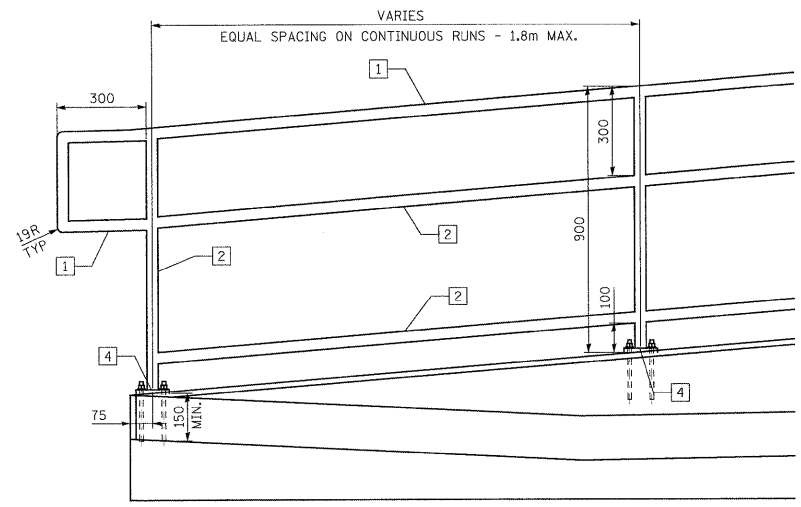
SIDE ELEVATION
DECORATIVE HANDRAIL



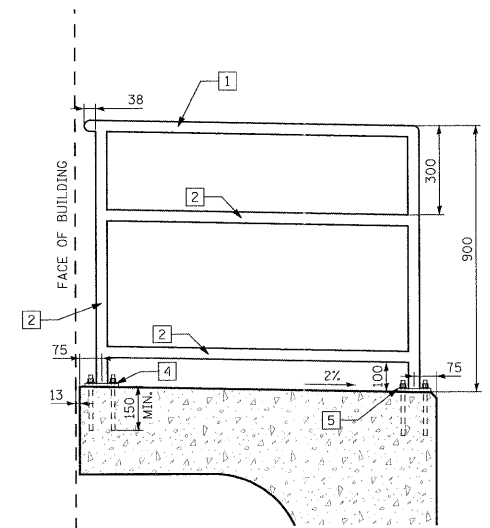
HANDRAIL BRACKET DETAILS



HANDRAIL POST MOUNTING DETAILS



PIPE HANDRAIL



SIDE ELEVATION
PIPE HANDRAIL

- 1 37.5 MM HOLLOW ROUND
- 2 37.5 MM HOLLOW SQUARE
- 3 18.75 x 18.75 SOLID SQUARE
- 4 112.5 x 87.5 x 12.5 MOUNTING PLATE
- 5 112.5 x 112.5 x 12.5 MOUNTING PLATE
- 7 93.75 x 25 x 6.25 MOUNTING PLATE
- 8 50 MM HOLLOW SQUARE
- 9 75 MM HOLLOW SQUARE
- 10 150 x 100 x 12.5 MOUNTING PLATE

REVISIONS	
NAME	DATE

ILLINOIS DEPARTMENT OF TRANSPORTATION

DECORATIVE
FENCE AND HANDRAIL
DETAILS

DATE _____ DRAWN BY _____
CHECKED BY _____

FILE: 679-688DET_SHT_downtown_details.dgn PLOTTED: 8/11/2011

HMG JOB NO. 5122