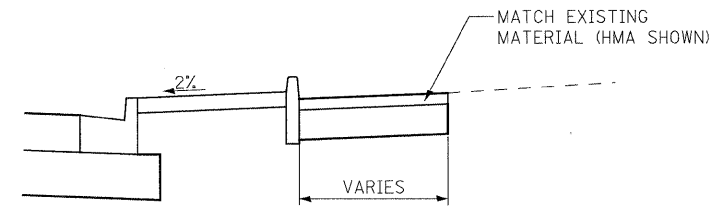
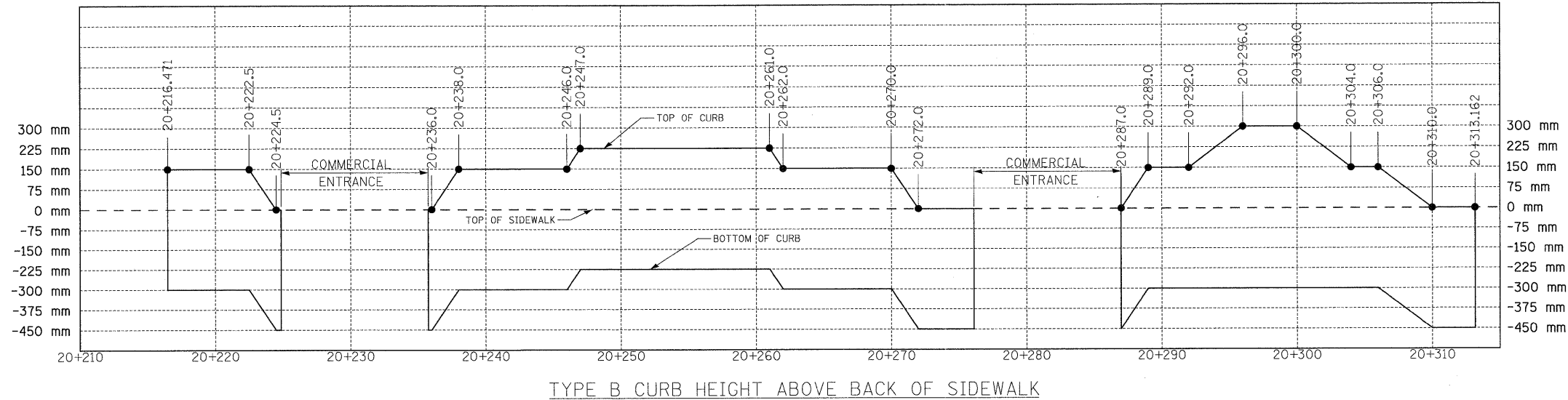
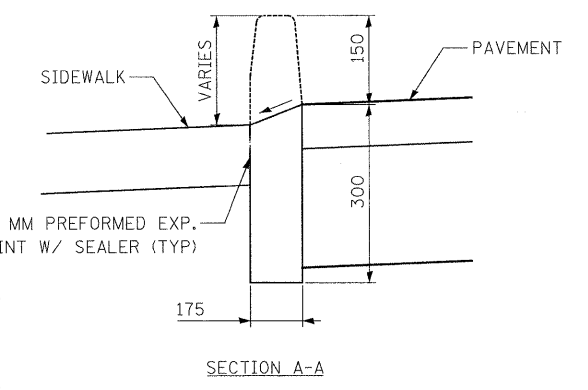
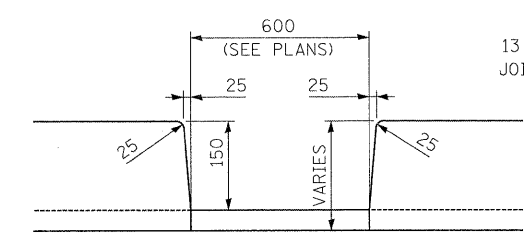
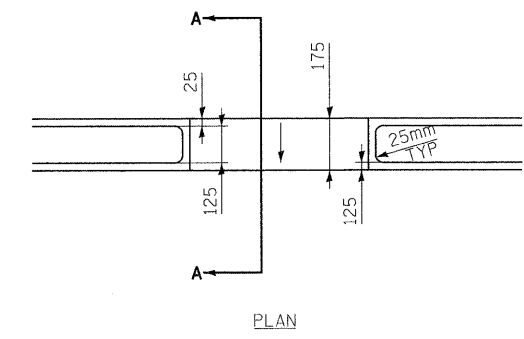


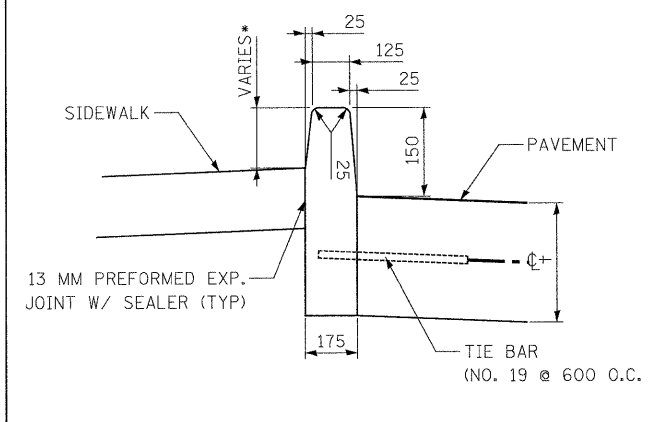
F.A.P. RTE.	SECTION	COUNTY	TOTAL SHEETS	SHEET NO.
326	(5CS,13C,108,109)R	KENDALL	931	689
STA.		TO STA.		
FED. ROAD DIST. NO.		ILLINOIS FED. AID PROJECT		



TYPE B CURB (SPECIAL)
STATION 20+216.471 TO 20+313.162

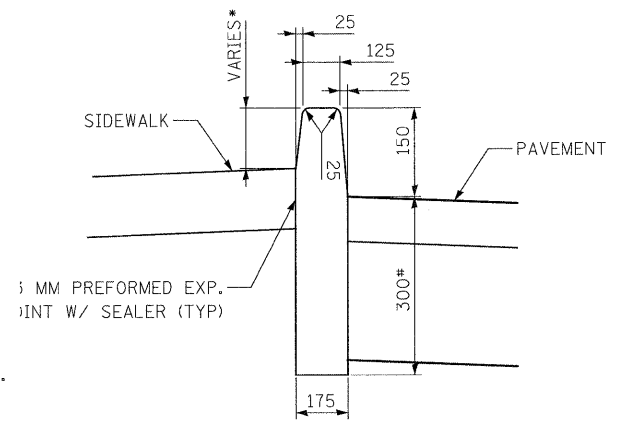


TYPE B CURB (SPECIAL)
CUT-OUT FOR DRAINAGE
STA. 20+246 RT. STA. 20+292 RT.
STA. 20+303 RT.



TYPE B CURB (SPECIAL)
ADJACENT TO P.C.C. PAVEMENT

* SEE PROFILE FOR CURB HEIGHT



TYPE B CURB (SPECIAL)
ADJACENT TO HOT-MIX ASPHALT PAVEMENT

* FOR EXPOSED HEIGHT OVER 225mm
INCREASE BURIED LENGTH TO 450mm
* SEE PROFILE FOR CURB HEIGHT

REVISIONS	
NAME	DATE

ILLINOIS DEPARTMENT OF TRANSPORTATION

TYPE B CURB DETAILS

DATE _____ DRAWN BY _____ CHECKED BY _____

FILE: 689 DET_SHT_TYPE_B_CURB.dgn PLOTTED: 8/11/2011

HMG JOB NO. 5122