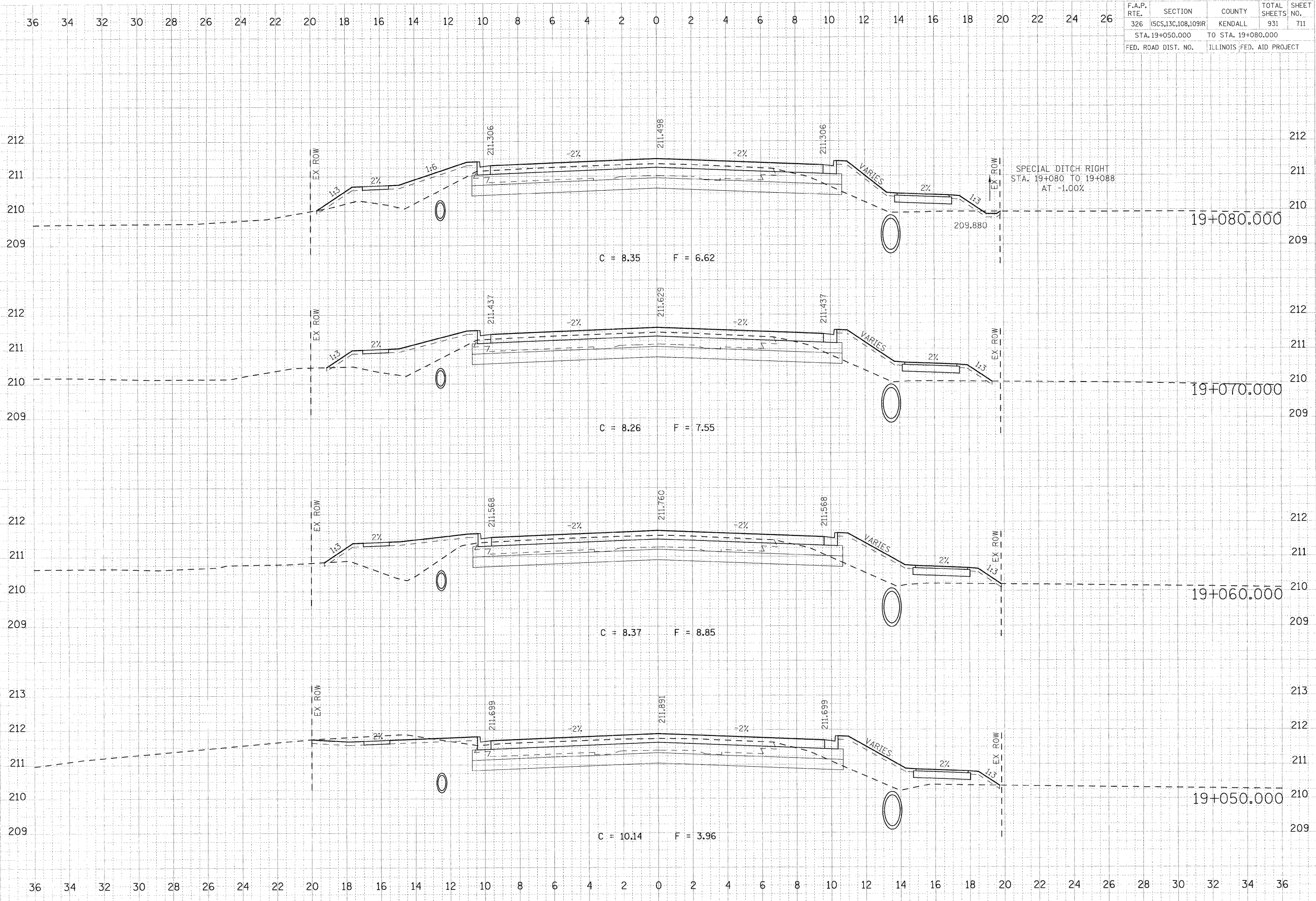


F.A.P. RTE.	SECTION	COUNTY	TOTAL SHEETS	SHEET NO.
326	15CS,13C,108,109R	KENDALL	931	711
STA. 19+050.000		TO STA. 19+080.000		
FED. ROAD DIST. NO.		ILLINOIS FED. AID PROJECT		



DATE: _____ BY: _____
 SURVEYED: _____
 CHECKED: _____
 DATE: _____ BY: _____
 SURVEYED: _____
 CHECKED: _____

DATE: _____ BY: _____
 SURVEYED: _____
 CHECKED: _____
 DATE: _____ BY: _____
 SURVEYED: _____
 CHECKED: _____

PLOT DATE = 07/26/2011
 FILE NAME = 6782X6-141-f.dgn
 USER NAME = USERDESCR