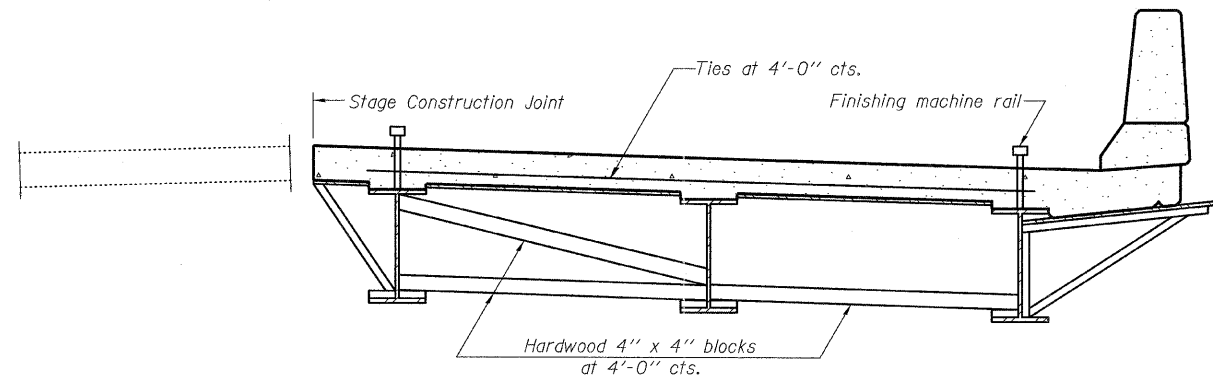
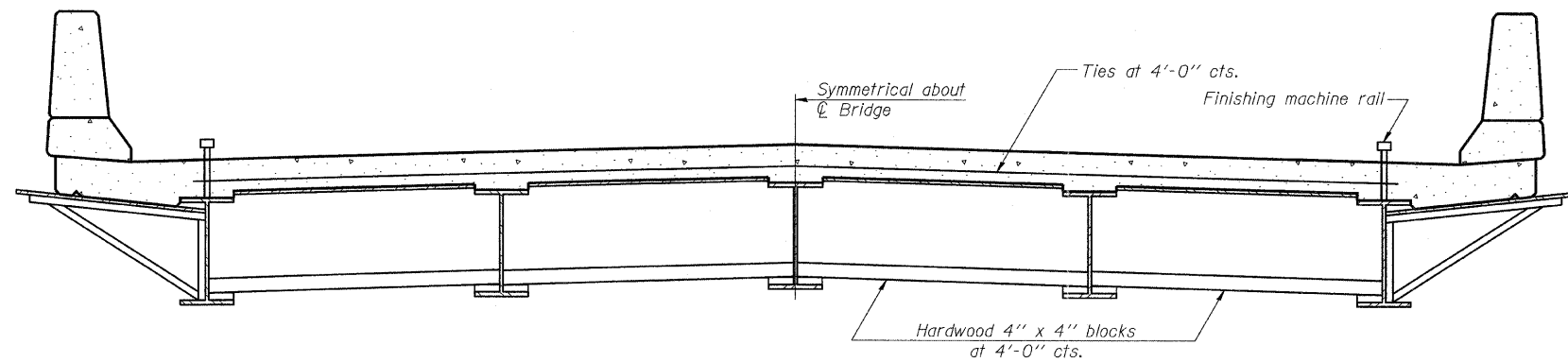


FILES



**FORM BRACES FOR
STAGE CONSTRUCTION**

When cantilever forming brackets are used, the work shall be done according to Article 503.06(b) of the Standard Specifications, except as modified below and in the details shown on this sheet.
The finishing machine rails shall be placed on the top flange of the exterior beams.
The beams or girders, supporting cantilever forming brackets, shall be tied together at 4 foot intervals.
For Standard construction, or Stage Construction the Hardwood bracing materials shall be placed as shown between webs of beams in each bay.



**FORM BRACES FOR
STANDARD CONSTRUCTION**

SB-1

7-1-10

FILE NAME =	USER NAME =	DESIGNED - EH	REVISED -	STATE OF ILLINOIS DEPARTMENT OF TRANSPORTATION	CANTILEVER FORMING BRACKETS FOR SUPERSTRUCTURES WITH W27 BEAMS AND SMALLER STRUCTURE NO. 006-0020 EB AND 006-0021 WB	F.A.I. RTE.	SECTION	COUNTY	TOTAL SHEETS	SHEET NO.	
TYLIN INTERNATIONAL		CHECKED - PF	REVISED -			80	[(06-5)HBR-1LVBR(06-6)RS-3&I	BUREAU	249	98	
PLOT SCALE =		DRAWN - EH	REVISED -			CONTRACT NO. 66686					
PLOT DATE = 09/13/2011		CHECKED - PF	REVISED -			SHEET NO. 31 OF 37 SHEETS		ILLINOIS FED. AID PROJECT			

FILES

FILES