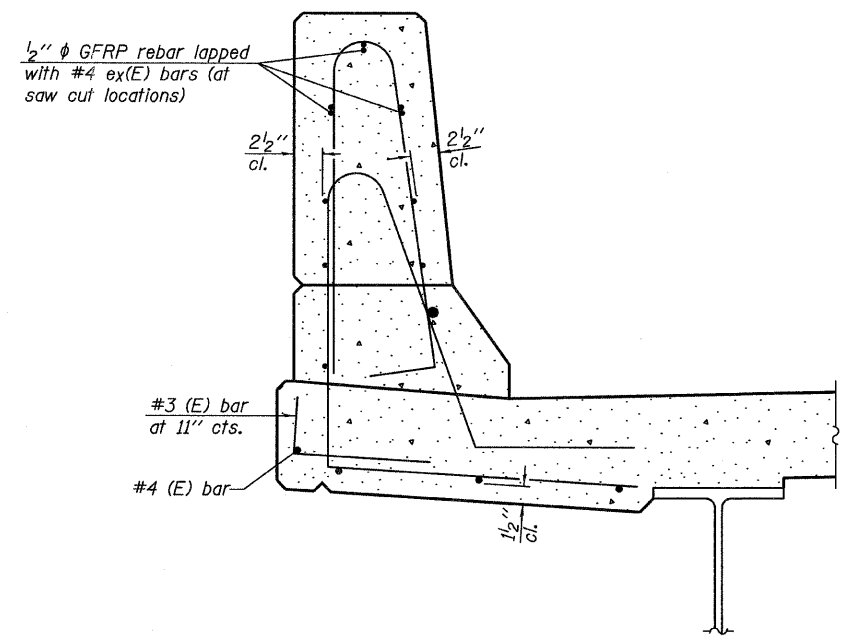
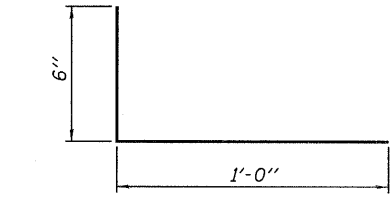


SECTION
(Showing dimensions)

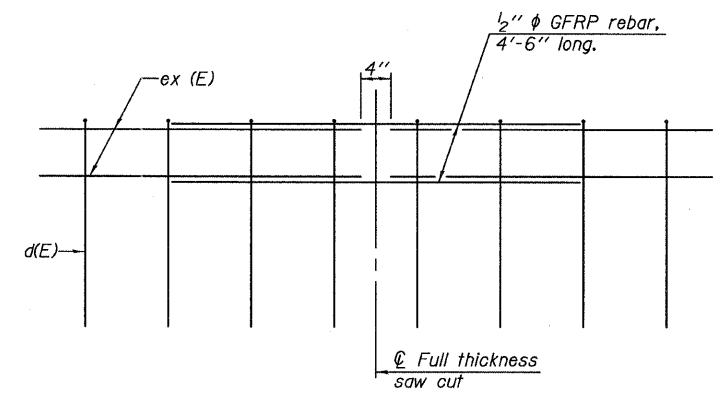
* See Superstructure Details.



SECTION
(Showing reinforcement clearances for slp forming and additional reinforcement bars)



#3 (E) BAR



GFRP REBAR STIFFENING DETAIL
(Place as shown in parapet section at each parapet joint location.)

GENERAL NOTES

All dimensions shall remain the same as shown on superstructure details, except dimensions A and B which are to be revised as shown to provide additional clearance. Additional concrete needed to revise dimension A and B = 0.0165 cu. yds./ft. of parapet.
Place aluminum sheet in curb portion at and near piers. Full thickness saw cut at all joint locations in lieu of cork joint filler.
Steel superstructure shown. Other superstructure types similar.

SFP-34 7-1-10

FILE NAME =	USER NAME =	DESIGNED - EH	REVISED -	STATE OF ILLINOIS DEPARTMENT OF TRANSPORTATION	CONCRETE PARAPET SLIPFORMING OPTION STRUCTURE NO. 006-0020 EB AND 006-0021 WB	F.A.I. RTE.	SECTION	COUNTY	TOTAL SHEETS	SHEET NO.	
TYLIN INTERNATIONAL	PLOT SCALE =	CHECKED - PF	REVISED -			80	[(06-5)HBR-1.VBR(06-6)RS-3&I	BUREAU	249	99	
PLOT DATE = 09/13/2011		DRAWN - EH	REVISED -			CONTRACT NO. 66686					
		CHECKED - PF	REVISED -			ILLINOIS FED. AID PROJECT					

FILE

FILE