

Benchmark: BM #419 Drop Box. Sta. 3100+42.67 Offset 2.41 El. 726.84

Existing Structure: S.N. 006-0022 EB and 006-0023 WB. Built as F.A. Rt. 80, in 1962. The superstructures consist of 242'-10 3/4" (EB) and 247'-9 1/2" (WB) (back to back of abutments) by 35'-8" wide reinforced concrete decks supported on three simple Rolled Steel Beam spans and pile supported concrete piers and abutments. Existing structures to be removed and replaced using crossovers.

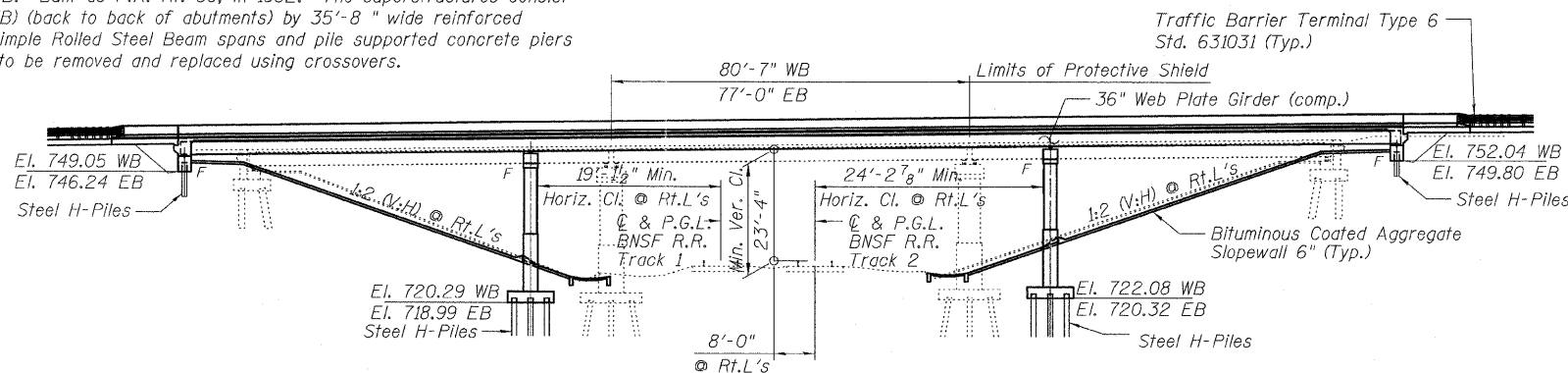
Salvage: None.

CURVE DATA

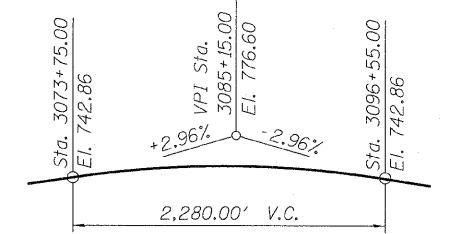
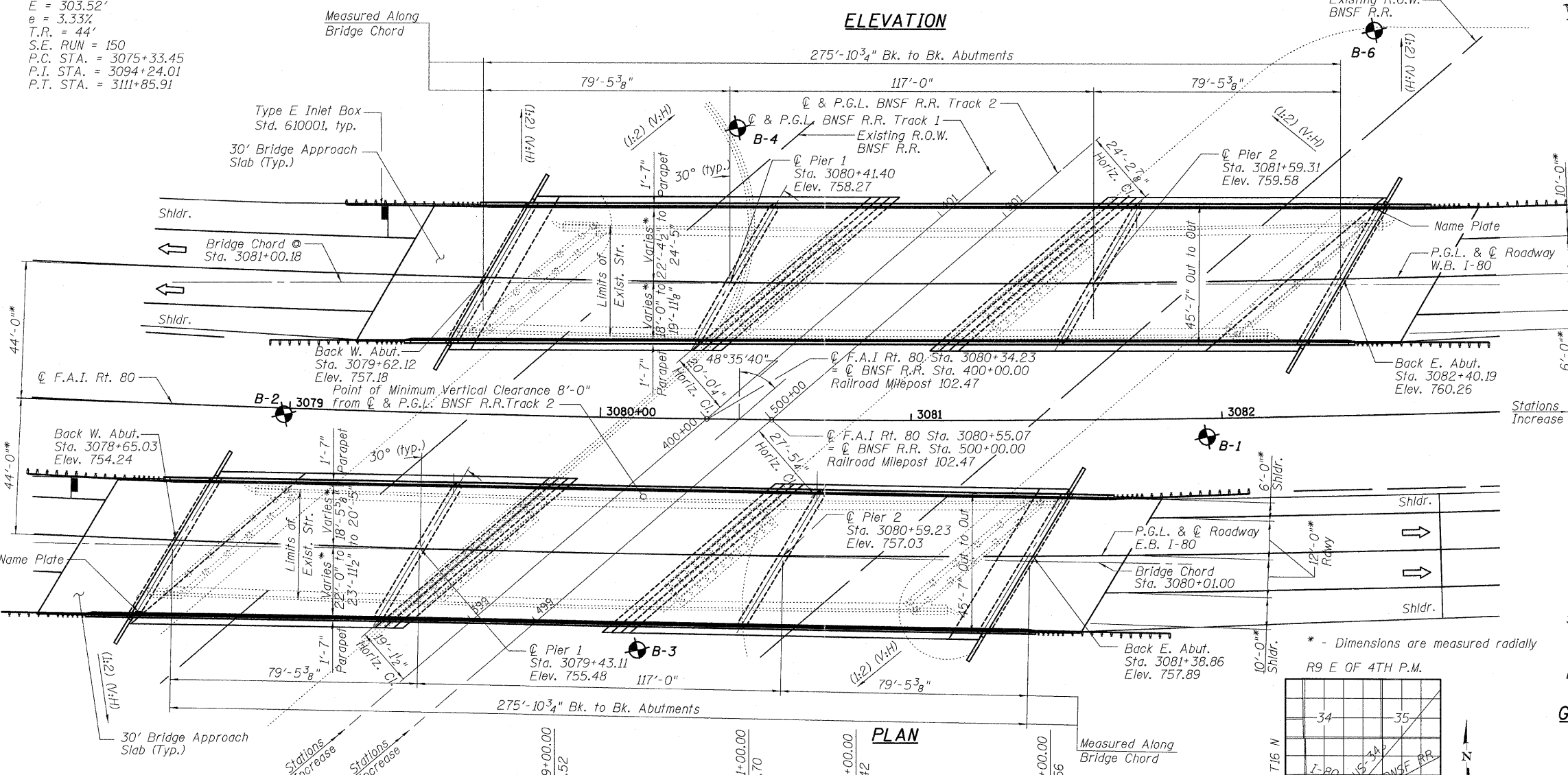
☉ F.A.I. Rt. 80

Δ = 36° 28' 59" (LT)
D = 0° 59' 56"
R = 5,736.15'
T = 1,890.56'
L = 3,652.49'
E = 303.52'
e = 3.332'
T.R. = 44'
S.E. RUN = 150
P.C. STA. = 3075+33.45
P.I. STA. = 3094+24.01
P.T. STA. = 3111+85.91

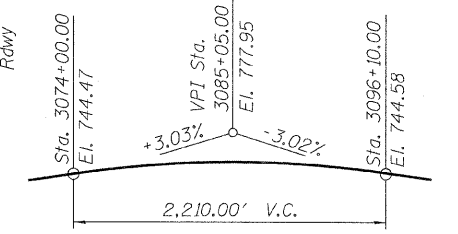
DESIGN SPECIFICATIONS
AASHTO 2002 Standard Specifications
For Highway Bridges
LOADING HS20-44 & ALT. MILITARY
Allow 50 #/sq. ft. for
Future Wearing Surface.
DESIGN STRESSES
FIELD UNITS
f'c = 3,500 psi
fy = 60,000 psi (Reinforcement)
fy = 50,000 psi (M270 Grade 50)
SEISMIC DATA
Seismic Performance Category (SPC) = A
Bedrock Acceleration Coefficient = 0.036g
Site Coefficient = 1.0



ELEVATION



PROFILE GRADE
I-80 Eastbound

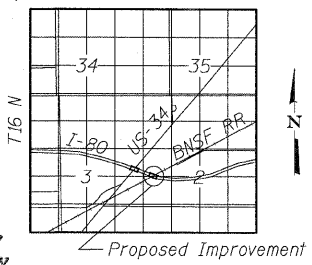


PROFILE GRADE
I-80 Westbound



Signed Phillip D. Frey
Phillip D. Frey, S.E. II, Lic. No. 081-004826
Expires 11-30-2012.
Date 9/14/2011

GENERAL PLAN AND ELEVATION
I-80 OVER BNSF RR
F.A.I. RTE 80,
SEC. [(06-5)HBR-1,VBR;(06-6)]RS-3 & I)
BUREAU COUNTY
STATION 3080+44.64
STRUCTURE NO. 006-0176 EB
AND 006-0177 WB



LOCATION SKETCH
I-80 over BNSF RR

APPROVED
FOR STRUCTURAL ADEQUACY ONLY
[Signature]
BUREAU OF BRIDGES AND STRUCTURES

LEGEND:
☉ Boring Location E.B. East Bound
P.G.L. Profile Grade Line W.B. West Bound

PROFILE GRADE
BNSF RR Track 1 +0.09%
PROFILE GRADE
BNSF RR Track 2 +0.07%

FILE NAME =	USER NAME =	DESIGNED - DY	REVISED -	STATE OF ILLINOIS DEPARTMENT OF TRANSPORTATION	F.A.I. RTE. 80	SECTION [(06-5)HBR-1,VBR;(06-6)]RS-3&I	COUNTY BUREAU	TOTAL SHEETS 2491/105	SHEET NO. 1 OF 43 SHEETS
TYLIN INTERNATIONAL	PLOT SCALE =	CHECKED - PF	REVISED -		CONTRACT NO. 66686	ILLINOIS FED. AID PROJECT			
	PLOT DATE = 09/13/2011	DRAWN - DY	REVISED -						
		CHECKED - PF	REVISED -						