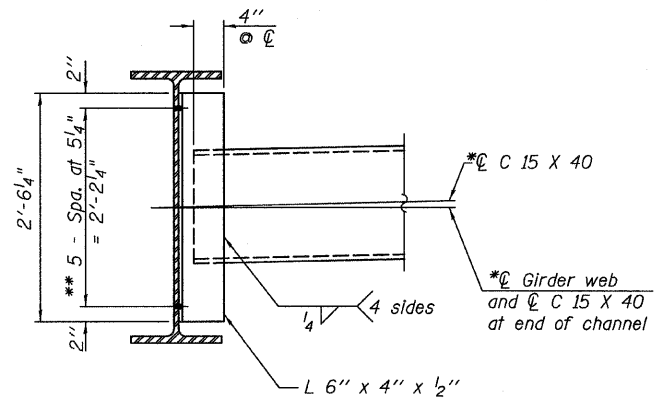


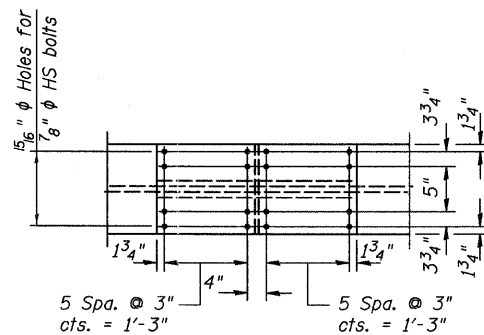
SECTION A-A



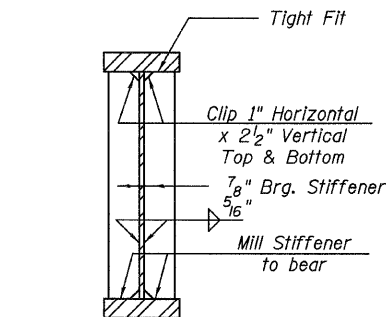
DIAPHRAGM D

(70 Req'd. WB, 70 Req'd. EB)

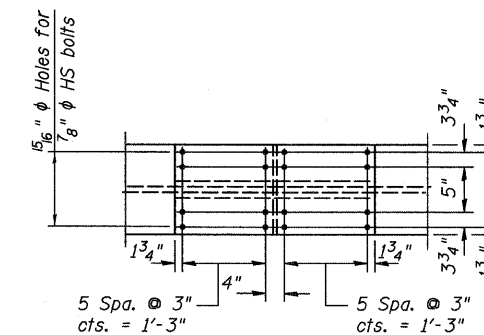
Note:
Two hardened washers required for each set of oversized holes.
*Alternate C 15 X 50 channels are permitted to facilitate material acquisition. Calculated weight of structural steel is based on the lighter section. The alternate, if utilized, shall be provided at no additional cost to the Department.
**3/4" ϕ HS bolts, 15/16" ϕ holes



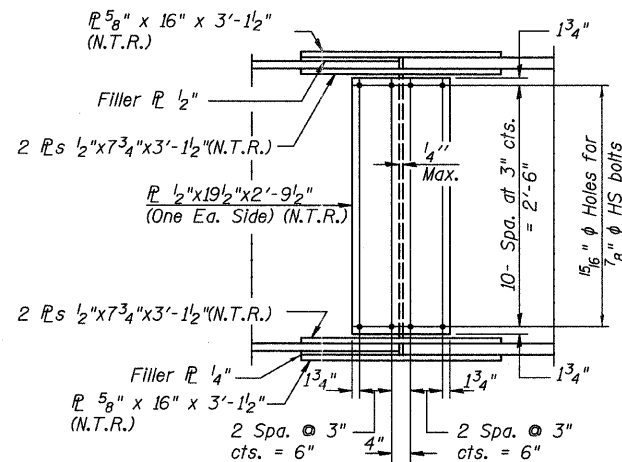
PLAN



BEARING STIFFENER AT ABUT. & PIER



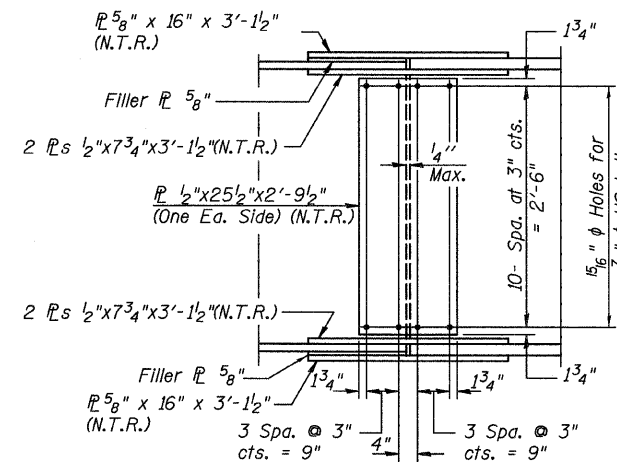
PLAN



ELEVATION

FIELD SPLICE 1 & 4 DETAIL

(F.S. 1 Shown, F.S. 4 Opp. Hand)



ELEVATION

FIELD SPLICE 2 & 3 DETAIL

(F.S. 3 Shown, F.S. 2 Opp. Hand)

Load carrying components designated "NTR" shall conform to the Supplemental Requirements for Notch Toughness, Zone 2.

FILE NAME =	USER NAME =	DESIGNED - DY	REVISED -	STATE OF ILLINOIS DEPARTMENT OF TRANSPORTATION	STRUCTURAL STEEL DETAILS STRUCTURE NO. 006-0176 EB AND 006-0177 WB	F.A.I. RTE.	SECTION	COUNTY	TOTAL SHEETS	SHEET NO.	
TYLIN INTERNATIONAL	PLOT SCALE =	CHECKED - PF	REVISED -			80	[(06-5)MHR-1, VBR, (06-6)RS-3&I	BUREAU	249	122	
PLOT DATE = 09/13/2011	CHECKED - PF	DRAWN - DY	REVISED -			CONTRACT NO. 66686					
						ILLINOIS FED. AID PROJECT					