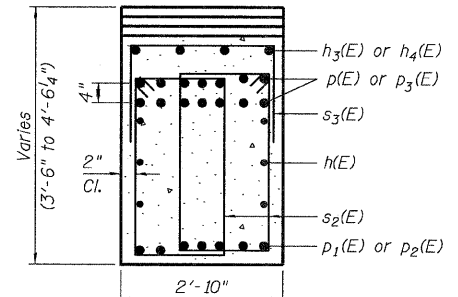
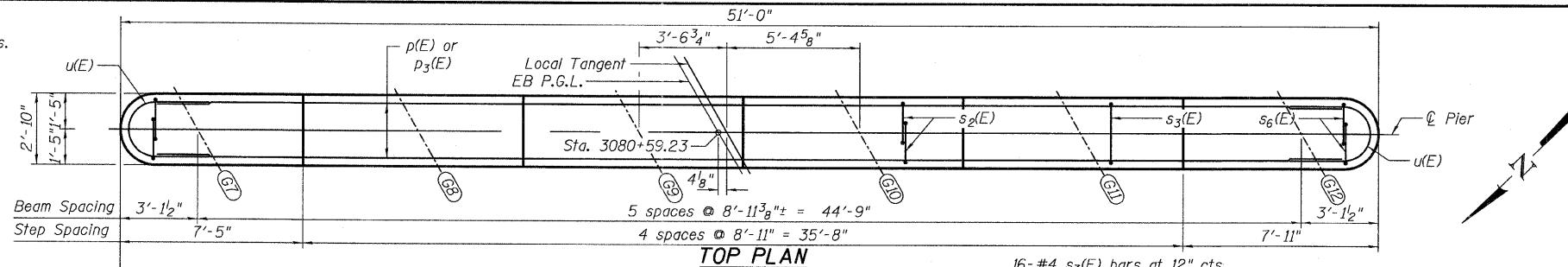


**NOTES:**

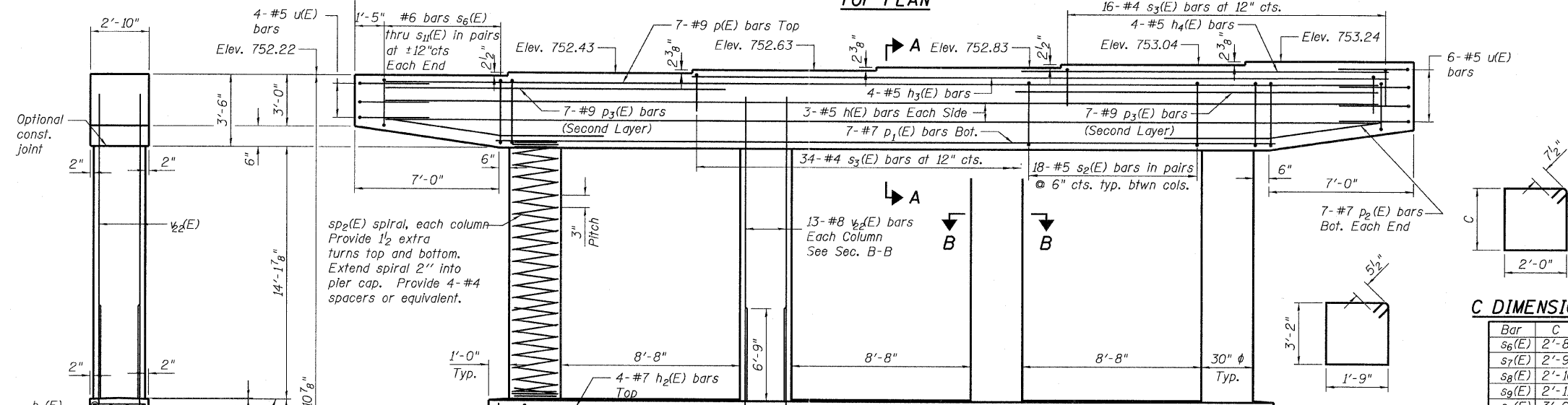
1. Space reinforcement in cap to miss anchor bolts.
2. Pour steps monolithically with cap.
3. For details of piles, see sheet 34 of 43.
4. For anchor bolt layout, see sheet 30 of 43.

**PILE DATA**

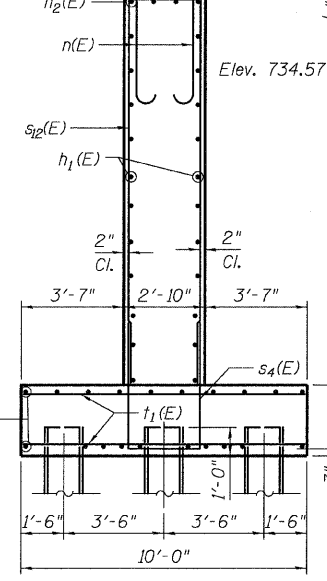
Type:	Steel HP 14x73
Nominal Required Bearing:	381 kips
Allowable Resistance Available:	127 kips
Est. Length:	51'-0"
No. Production Piles:	23
No. Test Piles:	1



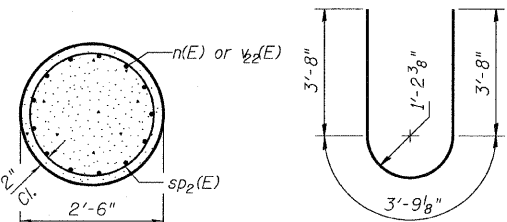
**SECTION A-A**



**ELEVATION**  
(Looking East)

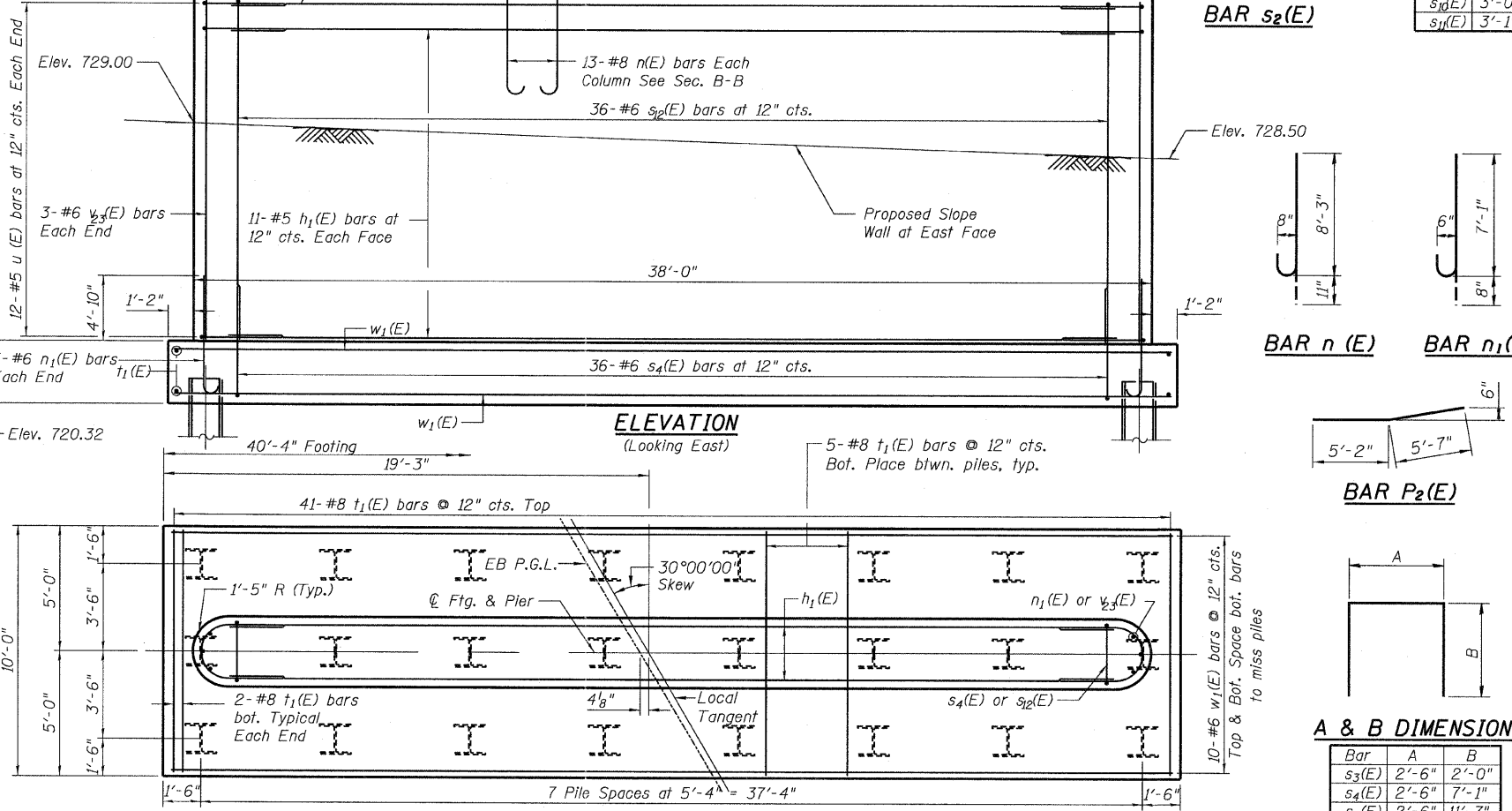


**END VIEW**



**SECTION B-B**

**BAR u(E)**



**FOOTING PLAN**

**C DIMENSIONS**

Bar	C
s6(E)	2'-8"
s7(E)	2'-9"
s8(E)	2'-10"
s9(E)	2'-11"
s10(E)	3'-0"
s11(E)	3'-1"

**BAR n(E)**

**BAR n1(E)**

**BAR P2(E)**

**A & B DIMENSIONS**

Bar	A	B
s3(E)	2'-6"	2'-0"
s4(E)	2'-6"	7'-1"
s12(E)	2'-6"	11'-7"

**BILL OF MATERIAL**

Bar	No.	Size	Length	Shape
h(E)	6	#5	48'-2"	—
h1(E)	22	#5	35'-2"	—
h2(E)	4	#7	35'-2"	—
h3(E)	4	#5	33'-1"	—
h4(E)	4	#5	15'-2"	—
n(E)	52	#8	9'-2"	U
n1(E)	6	#6	7'-9"	U
p(E)	7	#9	48'-2"	—
p1(E)	7	#7	37'-0"	—
p2(E)	14	#7	10'-9"	—
p3(E)	14	#9	17'-3"	—
s2(E)	108	#5	10'-9"	□
s3(E)	50	#4	6'-6"	□
s4(E)	36	#6	16'-8"	□
s6(E)	4	#6	9'-6"	□
s7(E)	4	#6	9'-8"	□
s8(E)	4	#6	9'-10"	□
s9(E)	4	#6	10'-0"	□
s10(E)	4	#6	10'-2"	□
s11(E)	4	#6	10'-4"	□
s12(E)	36	#6	25'-8"	□
sp2(E)	4	#4	14'-4"	~
t1(E)	80	#8	9'-8"	—
u(E)	34	#5	11'-2"	U
v2(E)	52	#8	17'-5"	—
v3(E)	6	#6	11'-5"	—
w1(E)	20	#6	40'-0"	—
Structure Excavation	CU YD		234	
Concrete Structures	CU YD		115.2	
Reinforcement Bars, Epoxy Coated	POUND		17,150	
Furnishing Steel Piles HP14x73	Foot		1173	
Driving Piles	Foot		1173	
Test Pile Steel HP14x73	Each		1	

\*\*Length is height of spiral.

FILE NAME =	USER NAME =	DESIGNED - SP	REVISED -	<b>STATE OF ILLINOIS DEPARTMENT OF TRANSPORTATION</b>	<b>PIER 2 - EASTBOUND STRUCTURE NO. 006-0176 EB AND 006-0177 WB</b>	F.A.I. RTE. 80	SECTION [106-5HBR-1VBR]06-6]RS-3&1	COUNTY BUREAU	TOTAL SHEETS 249	SHEET NO. 133	
TYLIN INTERNATIONAL	PLOT SCALE =	CHECKED - PF	REVISED -			SHEET NO. 29 OF 43 SHEETS		CONTRACT NO. 66686		ILLINOIS FED. AID PROJECT	
	PLOT DATE = 09/13/2011	DRAWN - DY	REVISED -								
		CHECKED - PF	REVISED -								