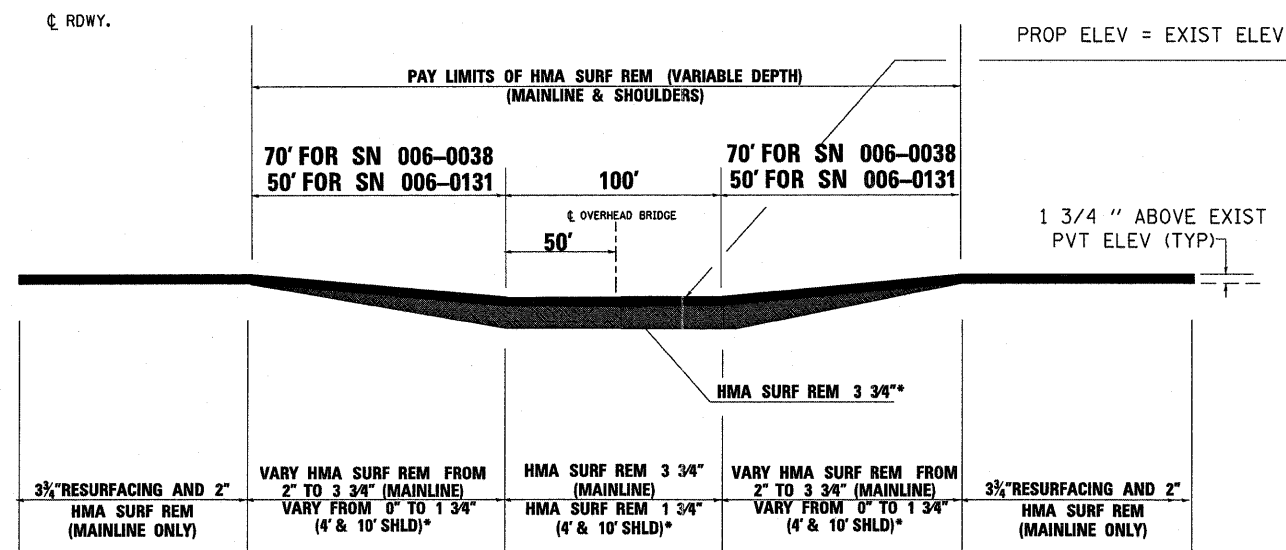


PCC SURF REMOVAL-BUTT JOINT



*MILL TO A DEPTH OF 2 1/2" UNDER SN 006-0131. THE PROPOSED TOTAL OVERLAY TOTAL RESURFACING THICKNESS SHALL BE 2 1/2" UNDER SN 006-0131. PLACE TWO LIFTS OF SURFACE COURSE WITH EACH LIFT 1 1/4"

TREATMENT UNDER STRUCTURES TO MAINTAIN EXISTING ELEVATIONS UNDER SN 006-0031 & 006-0038

FOR S.N.'S 006-0038 (SB I-180 BRIDGE) AND 006-0131 ONLY (EB & WB)
 FOR SN'S 006-0039 (NB I-180 BRIDGE), AND 006-0162, OVERLAY THE SAME AS THE REST OF THE MAINLINE
 (R.E. TO VERIFY CLEARANCES OF ALL BRIDGES PRIOR TO CONSTRUCTION)

| | | | | | | | | | | | |
|---|-----------------------------|------------|-----------|---|----------------|---------------------------|--------------------------------|--------|--------------|-----------|--|
| FILE NAME = | USER NAME = braboypc | DESIGNED - | REVISED - | STATE OF ILLINOIS DEPARTMENT OF TRANSPORTATION | DETAILS | F.A. RTE. | SECTION | COUNTY | TOTAL SHEETS | SHEET NO. | |
| c:\pw\work\pwt\dot\braboypc\d212731\0366586-sht-cover.dgn | PLOT SCALE = 50.0550' / in. | DRAWN - | REVISED - | | | 80 | [(06-5)HBR-1, VBR(06-6)JRS-3&1 | BUREAU | 249 | 171 | |
| PLOT DATE = 9/18/2011 | DATE - | CHECKED - | REVISED - | | | CONTRACT NO. 66686 | | | | | |
| | | DATE - | REVISED - | | | ILLINOIS FED. AID PROJECT | | | | | |