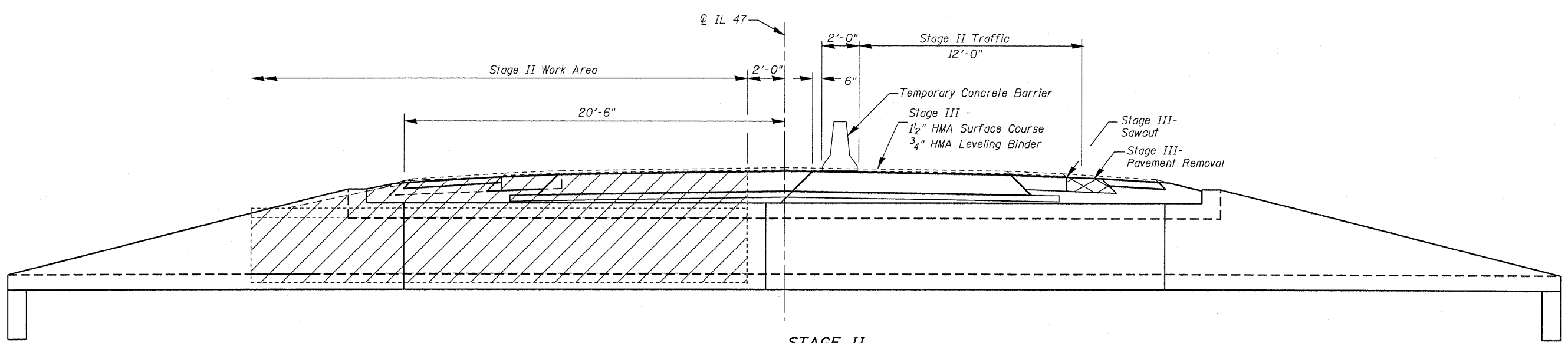


STAGE I
(Looking North)

Removal Area



STAGE II
(Looking North)

STAGE CONSTRUCTION DETAILS
STRUCTURE NO. 053-2578

FILE NAME =	USER NAME = schwankerg	DESIGNED -	REVISED -	STATE OF ILLINOIS DEPARTMENT OF TRANSPORTATION	STAGE CONSTRUCTION DETAILS	F.A.P. RTE.	SECTION	COUNTY	TOTAL SHEETS	SHEET NO.	
c:\pwork\pwork\schwankerg\dms66821\0366869-sht-details.dgn	PLOT SCALE = 3.0000' / in.	DRAWN -	REVISED -			326	(12)I	LIVINGSTON	27	16	
PLOT DATE = 8/19/2011	DATE -	CHECKED -	REVISED -			CONTRACT NO. 66869					
						ILLINOIS FED. AID PROJECT					