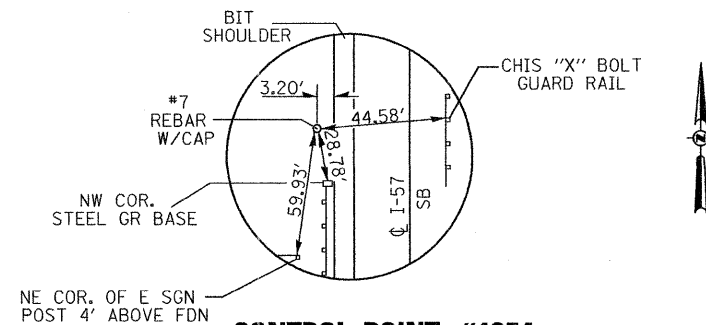


**CONTROL POINT #1341**

CONCRETE MONUMENT  
 LOCATED ON 1ST DITCH CHECK NORTH OF BRIDGES.  
 STA 1357+52.48  
 "X" ON DISC IS 0.09' RT. OF TRUE C.  
 N 1,423,050.166  
 E 1,060,065.927  
 NO TIE INCLUDED  
 ELEV. 705.192

**CONTROL POINT #1377**

CONCRETE MONUMENT  
 LOCATED ON 1ST DITCH CHECK SOUTH OF BRIDGES.  
 STA 1357+52.48  
 "X" ON PLUG IS 0.12' LT. OF TRUE C.  
 N 1,419,381.184  
 E 1,060,123.597  
 NO TIE INCLUDED  
 ELEV. 708.577



**CONTROL POINT #1354**

**#7 REBAR WITH CAP**

STA 1354+71.80, 69.79' RT  
 ELEV 702.786  
 N 1,421,692.487  
 E 1,060,017.482

CONTROL POINTS AND BENCHMARKS WILL BE CONFIRMED BY THE CONTRACTOR PRIOR TO WORK.

**benesch**  
 engineers · scientists · planners  
 Alfred Benesch & Company  
 205 North Michigan Avenue, Suite 2400  
 Chicago, Illinois 60601  
 312-565-0450  
 Job No. 3938.08

FILE NAME = ...D366948-sht-Tiepoints.dgn	USER NAME = kholt	DESIGNED - JDC	REVISED -	<b>STATE OF ILLINOIS DEPARTMENT OF TRANSPORTATION</b>	<b>TIE POINTS</b>			F.A.I. RTE.	SECTION	COUNTY	TOTAL SHEETS	SHEET NO.
	PLOT SCALE = #SCALE#	DRAWN - JDC	REVISED -		SCALE: NONE	SHEET NO. 1 OF 1 SHEETS	STA. 1352+20 TO STA. 1362+80	57	(38-8) BR & BR-1	IROQUOIS	73	8
	PLOT DATE = 8/19/2011	CHECKED - JMS	REVISED -					CONTRACT NO. 66948				
		DATE - 08/19/2011	REVISED -				FED. ROAD DIST. NO. ILLINOIS FED. AID PROJECT					