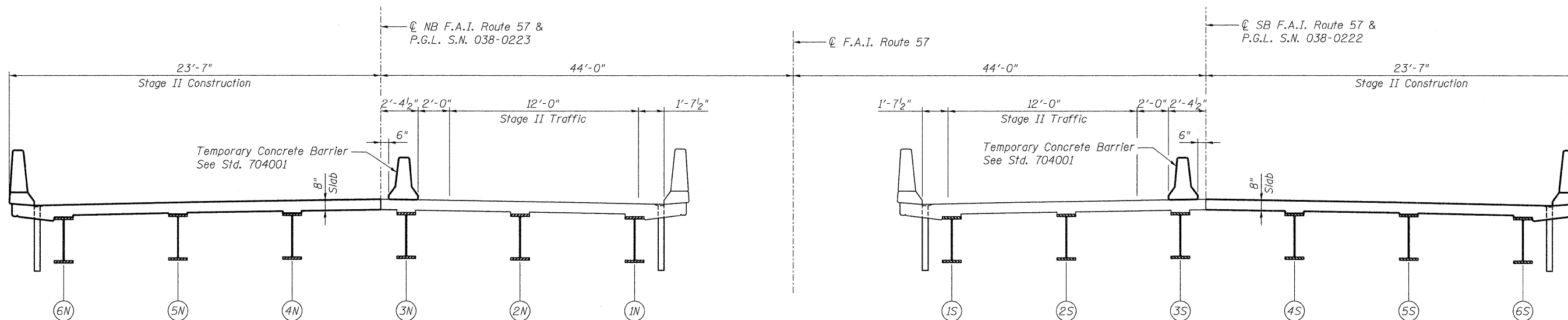


**STAGE II REMOVAL**



**STAGE II CONSTRUCTION**

**LEGEND**

Indicates Removal of Existing Structures

**NOTES:**

1. Cross Sections are shown looking South.
2. See sheet S6 of S41 for details of Temporary Concrete Barrier. For quantity, see Roadway Plans.

**benesch**  
engineers · scientists · planners  
Alfred Benesch & Company  
205 North Michigan Avenue, Suite 2400  
Chicago, Illinois 60601  
312-565-0450 Job No. 3938.09

FILE NAME =	USER NAME = rgrimm	DESIGNED - JLS	REVISED -
0380222&0223.66948.005.staging2.dgn		CHECKED - AAY	REVISED -
	PLOT SCALE =	DRAWN - RMG	REVISED -
	PLOT DATE = 08/18/2011	CHECKED - KJN	REVISED -

**STATE OF ILLINOIS  
DEPARTMENT OF TRANSPORTATION**

**STAGE II CONSTRUCTION DETAILS  
STRUCTURE NO. 038-0222/0223**

SHEET NO. S5 OF S41 SHEETS

F.A.I. RTE.	SECTION	COUNTY	TOTAL SHEETS	SHEET NO.
57	(38-8) BR & BR-1	IROQUOIS	73	20
			CONTRACT NO. 66948	
ILLINOIS FED. AID PROJECT				

x:\3900s\3938\structures\1-57over-springcreek\final\plans\0380222&0223.66948.005\_staging2.dgn

08/18/2011 08:51:07