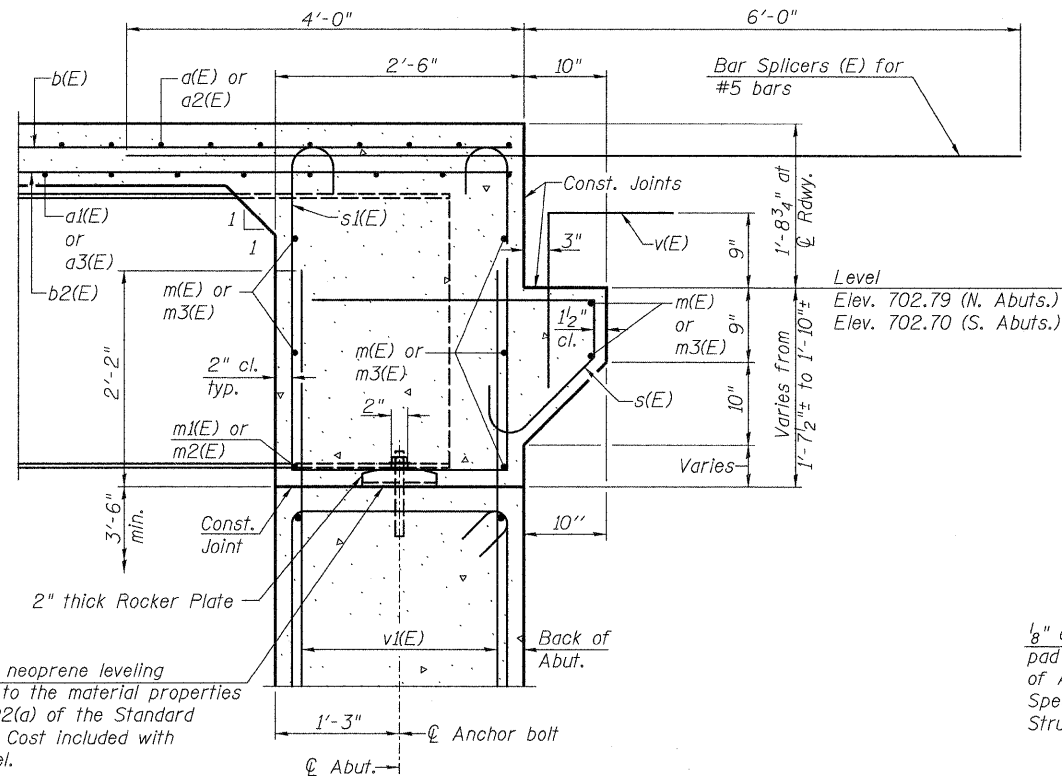


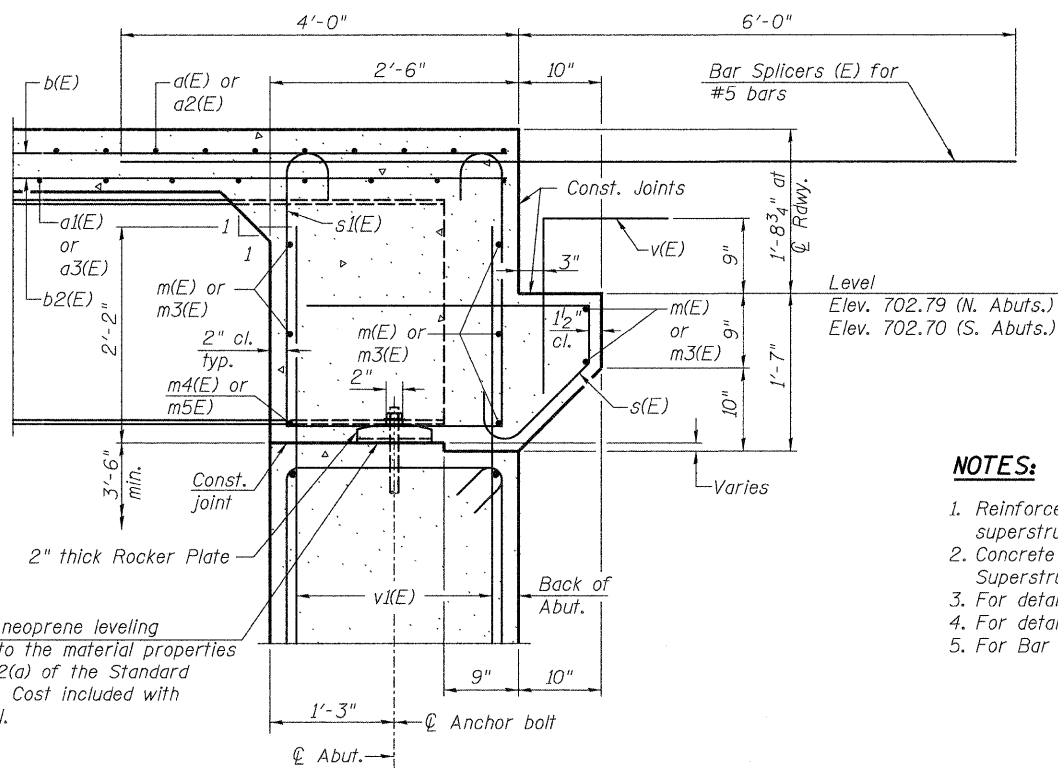
DIAPHRAGM ELEVATION AT ABUTMENT

(SB N. Abutment shown looking North - NB N. Abutment opposite hand)



SECTION A-A

(Beams 1, 2, 5 and 6)
(Diaphragms at S. Abutments similar)



SECTION B-B

(Beams 3 and 4)
(Diaphragms at S. Abutments similar)

NOTES:

1. Reinforcement bars in diaphragm are billed with superstructure on sheet S13 of S41.
2. Concrete in diaphragm is included with Concrete Superstructure on sheet S13 of S41.
3. For details of bars s(E) & s1(E), see sheet S13 of S41.
4. For details of v(E) bars, see sheets S20 and S21 of S41.
5. For Bar Splicer Details, see sheet S25 of S41.

MINIMUM BAR LAP

#6 bar = 3'-4"

benesch
engineers • scientists • planners
Alfred Benesch & Company
205 North Michigan Avenue, Suite 2400
Chicago, Illinois 60601
312-565-0450 Job No. 3938.09

FILE NAME =	USER NAME = fgrimm	DESIGNED - JLS	REVISED -
0380222&0223_66948_014_intabutdiaph.dgn	PLOT SCALE =	CHECKED - AAY	REVISED -
	PLOT DATE = 08/18/2011	DRAWN - RMG	REVISED -
		CHECKED - KJN	REVISED -

**STATE OF ILLINOIS
DEPARTMENT OF TRANSPORTATION**

**INTEGRAL ABUTMENT DIAPHRAGM DETAILS
STRUCTURE NO. 038-02220223**

SHEET NO. S14 OF S41 SHEETS

F.A.I. RTE.	SECTION	COUNTY	TOTAL SHEETS	SHEET NO.
57	(38-8) BR & BR-1	IROQUOIS	73	29
CONTRACT NO. 66948				
ILLINOIS FED. AID PROJECT				

x:\3900s\3938_structures\1-57everspringcreek\final\plans\0380222&0223_66948_014_intabutdiaph.dgn 08/18/2011