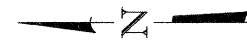


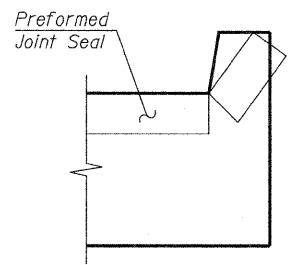
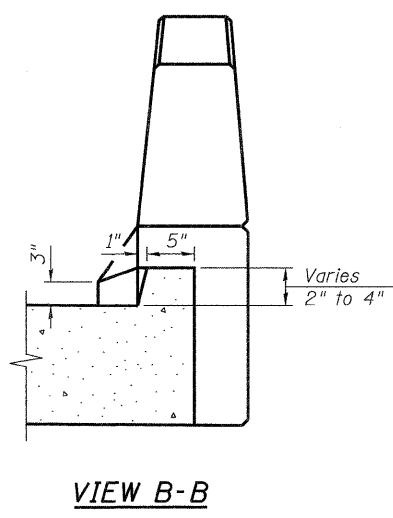
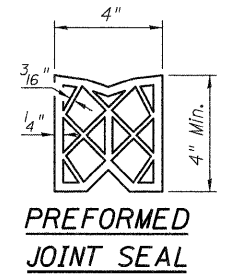
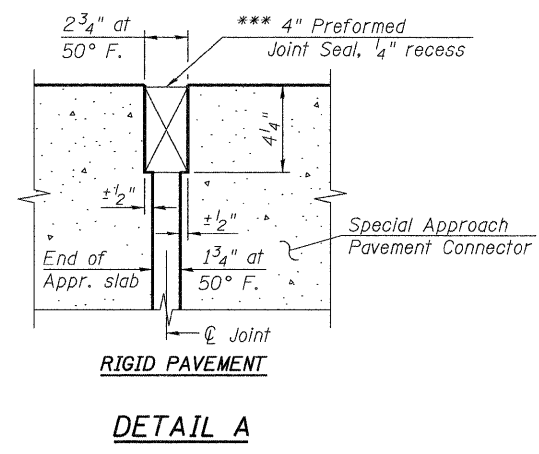
**PLAN**

(NB South Approach shown, NB North Approach similar)  
(SB South & North Approaches symmetrical about ⊙ F.A.I. Route 57)

\* Tilt #9 b4(E) bars as required to maintain clearance.  
\*\* Space between a5(E) or a7(E) bars, typ. ea. parapet.



\*\*\* Cost included with Concrete Superstructure.



Angle Preformed Joint Seal at 45° at curbs when req'd for drainage.

**NOTE:**

See sheet S16 of S41 for Sections C-C & D-D and View E-E.  
a5(E), a6(E), a7(E) and a8(E) bar spacings measured along ⊙ Rdwy.

**benesch**  
engineers • scientists • planners

Alfred Benesch & Company  
205 North Michigan Avenue, Suite 2400  
Chicago, Illinois 60601  
312-565-0450 Job No. 3938.09

FILE NAME =	USER NAME = rgrimm	DESIGNED - JLS	REVISED -
0380222&0223.66948_015_brapprdet1.dgn	PLOT SCALE =	CHECKED - AAY	REVISED -
	PLOT DATE = 08/18/2011	DRAWN - RMG	REVISED -
		CHECKED - KJN	REVISED -

**STATE OF ILLINOIS  
DEPARTMENT OF TRANSPORTATION**

**BRIDGE APPROACH SLAB DETAILS (1 OF 2)  
STRUCTURE NO. 038-02220223**

SHEET NO. S15 OF S41 SHEETS

F.A.I. RTE.	SECTION	COUNTY	TOTAL SHEETS	SHEET NO.
57	(38-8) BR & BR-1	IROQUOIS	73	30
CONTRACT NO. 66948			ILLINOIS FED. AID PROJECT	

x:\3900s\3938\_structures\1-57everspringcreek\final\plans\0380222&0223.66948\_015\_brapprdet1.dgn 08/18/2011