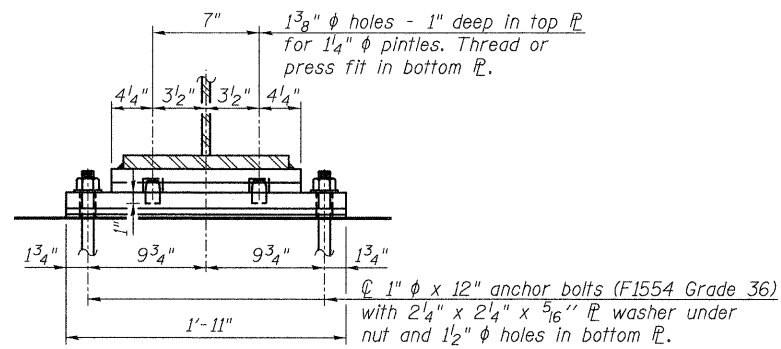
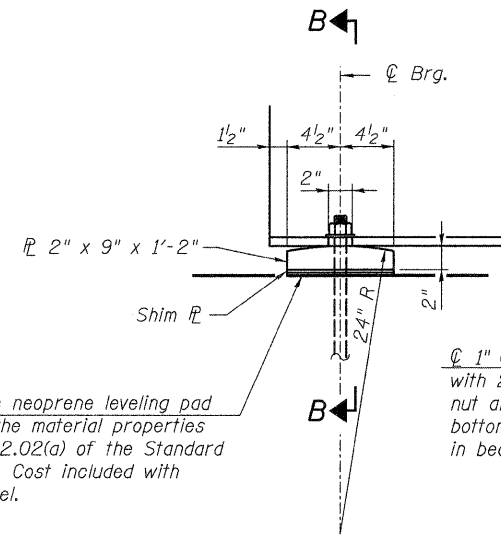


ELEVATION

FIXED BEARING AT PIER

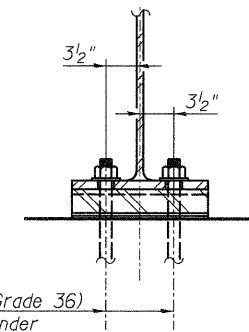


SECTION A-A

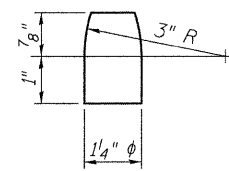


ELEVATION

FIXED BEARING AT ABUTMENT



SECTION B-B



PINTLE

NOTES:

- Anchor bolts shall be ASTM F1554 all-thread (or an Engineer-approved alternate material) of the grade(s) and diameter(s) specified. ASTM A307 Grade C anchor bolts may be used in lieu of ASTM F1554 Grade 36 (Fy=36ksi). The corresponding specified grade of AASHTO M314 anchor bolts may be used in lieu of ASTM F1554.
- Anchor bolts at fixed bearings may be either cast in place or installed in holes drilled after the supported member is in place.
- Drilled and set anchor bolts shall be installed according to Article 521.06 of the Standard Specifications.
- Steel members required for the bearing assembly shall be included in the cost of Structural Steel.
- Two 1/8 in. adjusting shims shall be provided for each bearing in addition to all other plates or shims and placed as shown on bearing details.
- Work this sheet with sheets S14, S17, S18 and S20 through S23 of S41.

benesch
engineers · scientists · planners

Alfred Benesch & Company
205 North Michigan Avenue, Suite 2400
Chicago, Illinois 60601
312-566-0450 Job No. 3938.09

FILE NAME =	USER NAME = rgrimm	DESIGNED - JLS	REVISED -	STATE OF ILLINOIS DEPARTMENT OF TRANSPORTATION	BEARING DETAILS STRUCTURE NO. 038-0222/0223	F.A.I. RTE.	SECTION	COUNTY	TOTAL SHEETS	SHEET NO.	
0380222&0223_66948_019_brgdet.dgn	PLOT SCALE =	CHECKED - AAY	REVISED -			57	(38-8) BR & BR-1	IROQUOIS	73	34	
PLOT DATE = 06/18/2011	CHECKED - KJN	DRAWN - RMG	REVISED -			CONTRACT NO. 66948					
						ILLINOIS FED. AID PROJECT					

x:\3900s\3938\structures\1-57\overspringcreek\1-57\plans\0380222&0223_66948_019_brgdet.dgn 06/18/2011