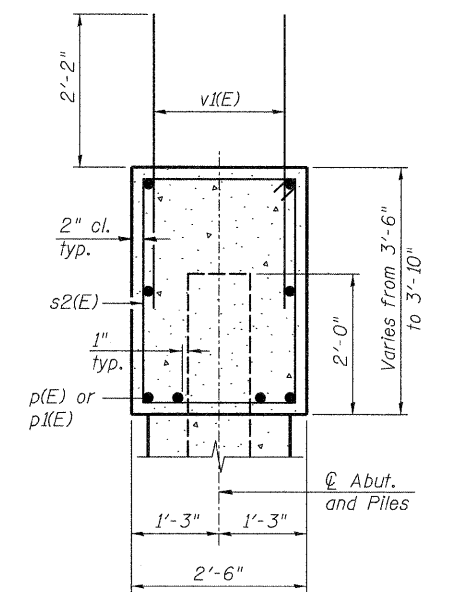


ELEVATION

(Looking North)
(NB N. Abut. shown, SB N. Abut. Opposite Hand)



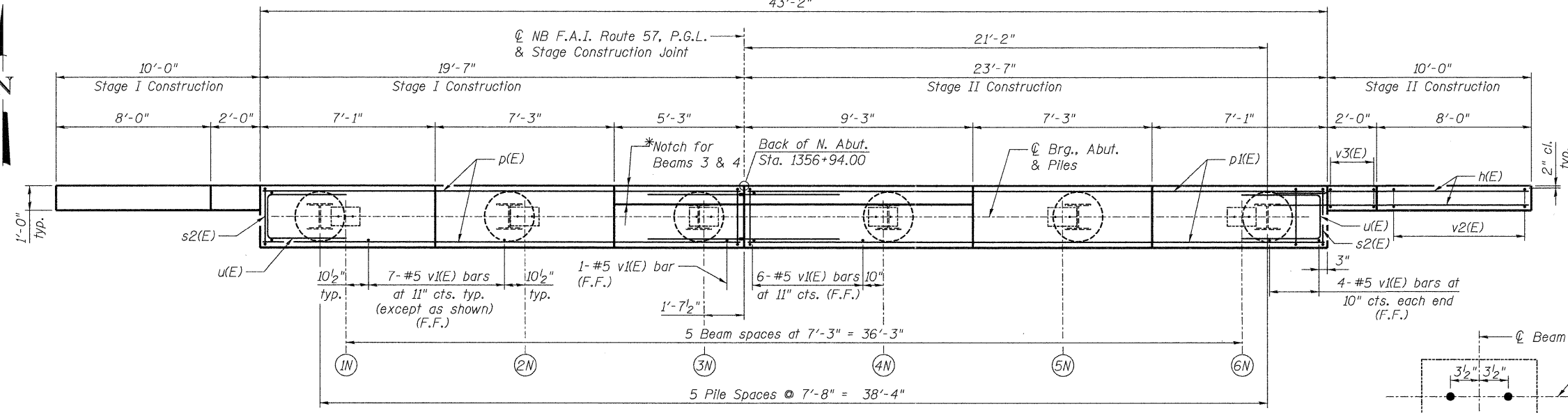
SECTION THRU ABUT.

(Notch at Beams 3 and 4 not shown. See Sec. B-B on sheet S14 of S41 for notch details.)

TWO ABUTMENTS

BILL OF MATERIAL

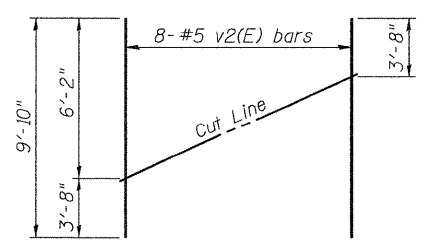
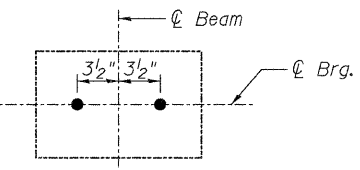
Bar	No.	Size	Length	Shape
h(E)	104	#6	14'-2"	—
p(E)	16	#7	19'-5"	—
p1(E)	16	#7	23'-5"	—
s2(E)	92	#4	11'-5"	□
u(E)	16	#6	9'-9"	—
v1(E)	178	#5	4'-4"	—
v2(E)	32	#5	9'-10"	—
v3(E)	24	#5	6'-6"	—
Structure Excavation			Cu. Yd.	166
Concrete Structures			Cu. Yd.	37.8
Reinforcement Bars, Epoxy Coated			Pound	5,850
Furnishing Steel Piles, HP12x53			Foot	154
Driving Piles			Foot	154
Test Pile Steel, HP12x53			Each	1
Pile Shoes			Each	12
Concrete Encasement			Cu. Yd.	4.2



PLAN

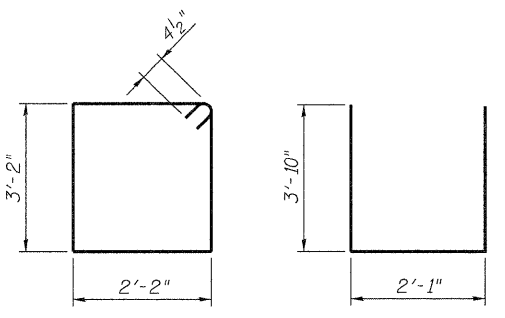
(NB N. Abut. shown, SB N. Abut. Opposite Hand)

ANCHOR BOLT LAYOUT DETAIL



FIELD CUTTING DIAGRAM

Order v2(E) full length. Cut as shown and use remainder of bars in opposite face.



BAR s2(E)

BAR u(E)

PILE DATA (SB)

Type: HP12x53 with pile shoes
Nominal Required Bearing: 178 kips
Factored Resistance Available: 98 kips
Est. Length: 14 feet
No. Production Piles: 5
No. Test Piles: 1

PILE DATA (NB)

Type: HP12x53 with pile shoes
Nominal Required Bearing: 178 kips
Factored Resistance Available: 98 kips
Est. Length: 14 feet
No. Production Piles: 6
No. Test Piles: 0

benesch
engineers · scientists · planners
Alfred Benesch & Company
205 North Michigan Avenue, Suite 2400
Chicago, Illinois 60601
312-565-0450 Job No. 3938.09

FILE NAME =	USER NAME = rgrimm	DESIGNED - JLS	REVISED -
0380222&0223.66948.020_nabutdet.dgn	PLOT SCALE =	CHECKED - AAY	REVISED -
	PLOT DATE = 08/18/2011	DRAWN - RMG	REVISED -
		CHECKED - KJN	REVISED -

STATE OF ILLINOIS
DEPARTMENT OF TRANSPORTATION

NORTH ABUTMENT DETAILS
STRUCTURE NO. 038-02220223

SHEET NO. S20 OF S41 SHEETS

F.A.I. RTE. 57	SECTION (38-8) BR & BR-1	COUNTY IROQUOIS	TOTAL SHEETS 73	SHEET NO. 35
ILLINOIS FED. AID PROJECT			CONTRACT NO. 66948	

x:\3900s\structures\1-57 overspringcreek\final\plans\0380222&0223.66948.020_nabutdet.dgn 08/18/2011