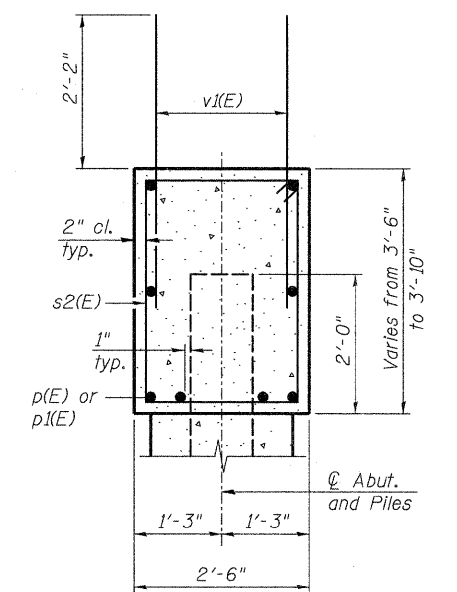


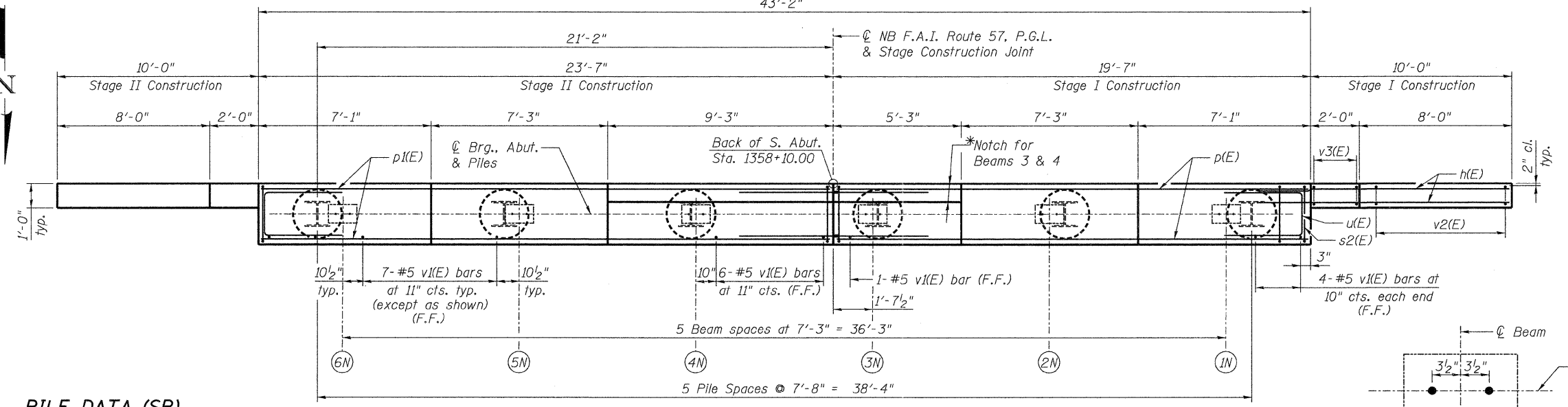
ELEVATION
(Looking South)
(NB S. Abut. shown, SB S. Abut. Opposite Hand)



SECTION THRU ABUT.
(Notch at Beams 3 and 4 not shown. See Sec. B-B on sheet S14 of S41 for notch details.)

**TWO ABUTMENTS
BILL OF MATERIAL**

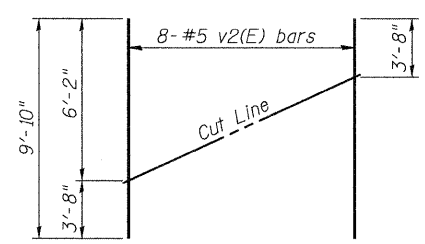
Bar	No.	Size	Length	Shape
h(E)	104	#6	14'-2"	—
p(E)	16	#7	19'-5"	—
p1(E)	16	#7	23'-5"	—
s2(E)	92	#4	11'-5"	□
u(E)	16	#6	9'-9"	—
v1(E)	178	#5	4'-4"	—
v2(E)	32	#5	9'-10"	—
v3(E)	24	#5	6'-6"	—
Structure Excavation			Cu. Yd.	166
Concrete Structures			Cu. Yd.	37.8
Reinforcement Bars, Epoxy Coated			Pound	5,850
Furnishing Steel Piles, HP12x53			Foot	185
Driving Piles			Foot	185
Test Pile Steel, HP12x53			Each	1
Pile Shoes			Each	12
Concrete Encasement			Cu. Yd.	4.2



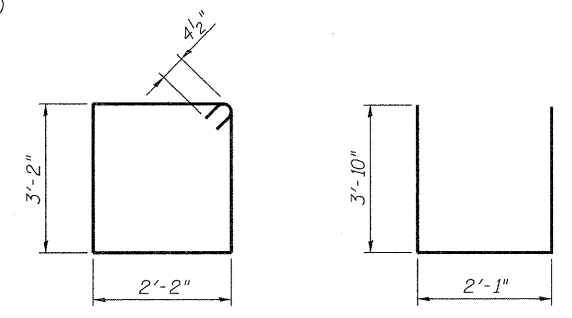
PLAN
(NB S. Abut. shown, SB S. Abut. Opposite Hand)

PILE DATA (SB)
Type: HP12x53 with pile shoes
Nominal Required Bearing: 179 kips
Factored Resistance Available: 98 kips
Est. Length: 15 feet
No. Production Piles: 6
No. Test Piles: 0

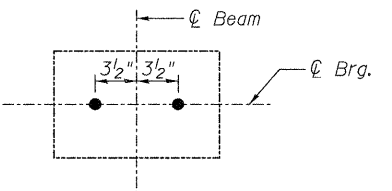
PILE DATA (NB)
Type: HP12x53 with pile shoes
Nominal Required Bearing: 178 kips
Factored Resistance Available: 98 kips
Est. Length: 19 feet
No. Production Piles: 5
No. Test Piles: 1



FIELD CUTTING DIAGRAM
Order v2(E) full length. Cut as shown and use remainder of bars in opposite face.



BAR s2(E) **BAR u(E)**



ANCHOR BOLT LAYOUT DETAIL

- NOTES:**
1. Pour steps monolithically with cap.
 2. E.F. denotes Each Face, F.F. denotes Front Face and B.F. denotes Back Face.
 3. For details of Bar Splicers, see sheet S25 of S41.
 4. For details of piles and concrete encasement, see sheet S24 of S41.

benesch
engineers - scientists - planners
Alfred Benesch & Company
205 North Michigan Avenue, Suite 2400
Chicago, Illinois 60601
312-565-0450 Job No. 3938.09

FILE NAME =	USER NAME = rgr:mmm	DESIGNED - JLS	REVISED -
0380222&0223.66948.021.sabutdet.dgn		CHECKED - AAY	REVISED -
	PLOT SCALE =	DRAWN - RMG	REVISED -
	PLOT DATE = 08/19/2011	CHECKED - KJN	REVISED -

**STATE OF ILLINOIS
DEPARTMENT OF TRANSPORTATION**

**SOUTH ABUTMENT DETAILS
STRUCTURE NO. 038-0222/0223**
SHEET NO. S21 OF S41 SHEETS

F.A.I. RTE. 57	SECTION (38-B) BR & BR-1	COUNTY IROQUOIS	TOTAL SHEETS 73	SHEET NO. 36
			CONTRACT NO. 66948	
ILLINOIS FED. AID PROJECT				

x:\3900s\3938\structures\1-57oversprngcreek\final\plans\0380222&0223.66948.021.sabutdet.dgn 08/18/2011 08:51:15