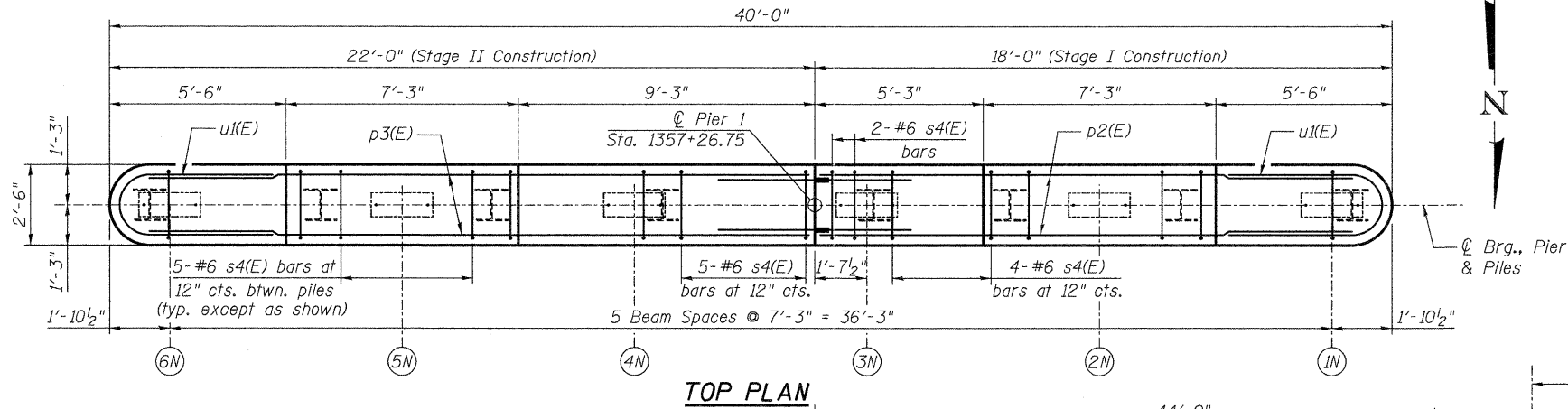


PILE DATA (SB)

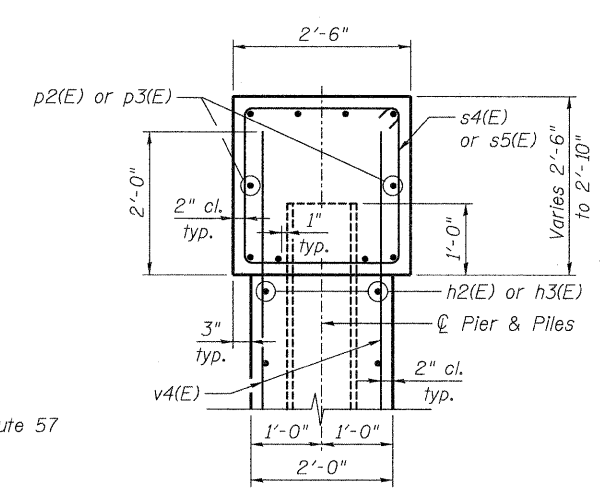
Type: HP12x53 with pile shoes
 Nominal Required Bearing: 296 kips
 Factored Resistance Available: 163 kips
 Est. Length: 36 feet
 No. Production Piles: 7
 No. Test Piles: 1

PILE DATA (NB)

Type: HP12x53 with pile shoes
 Nominal Required Bearing: 295 kips
 Factored Resistance Available: 163 kips
 Est. Length: 36 feet
 No. Production Piles: 7
 No. Test Piles: 1



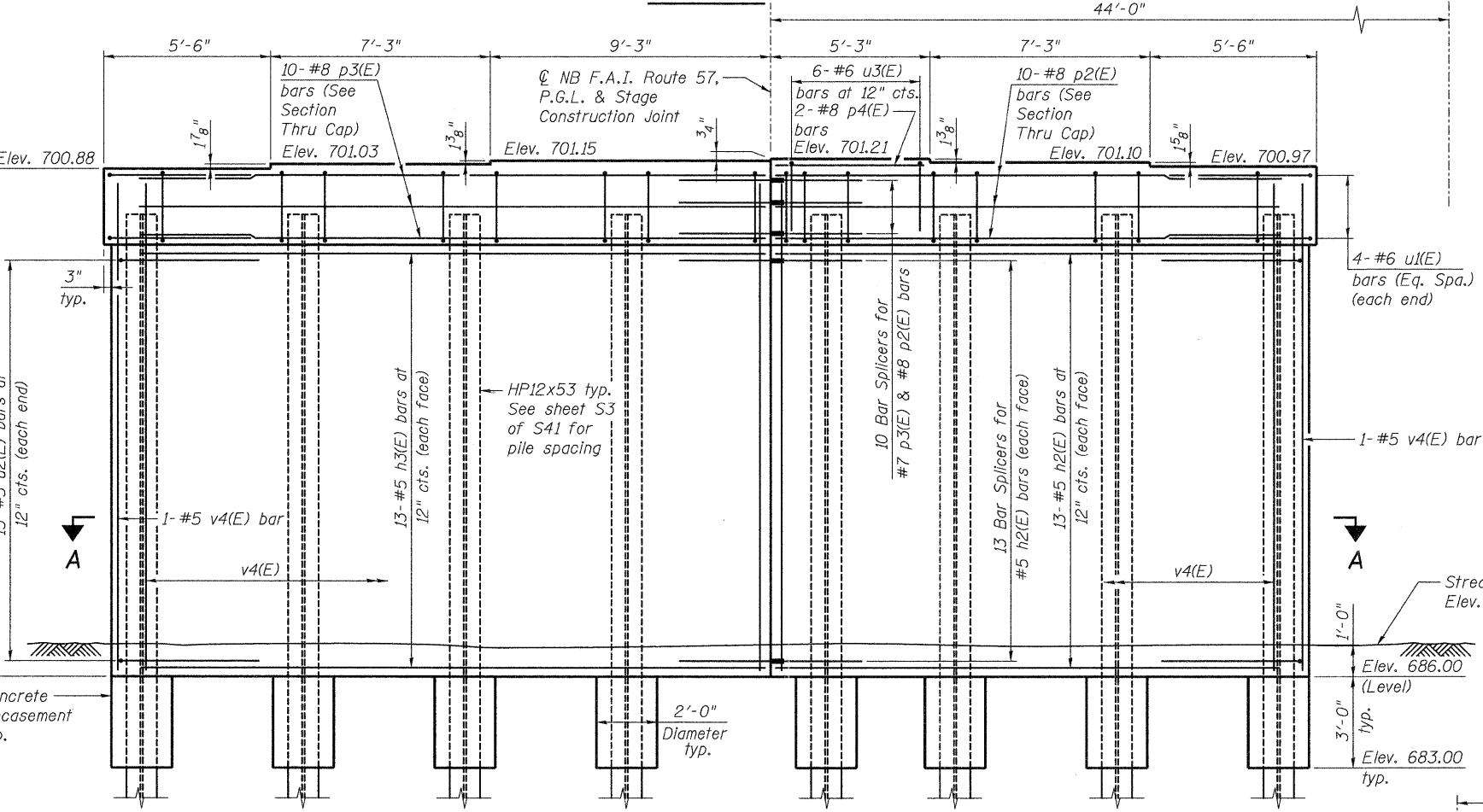
TOP PLAN



SECTION THRU CAP

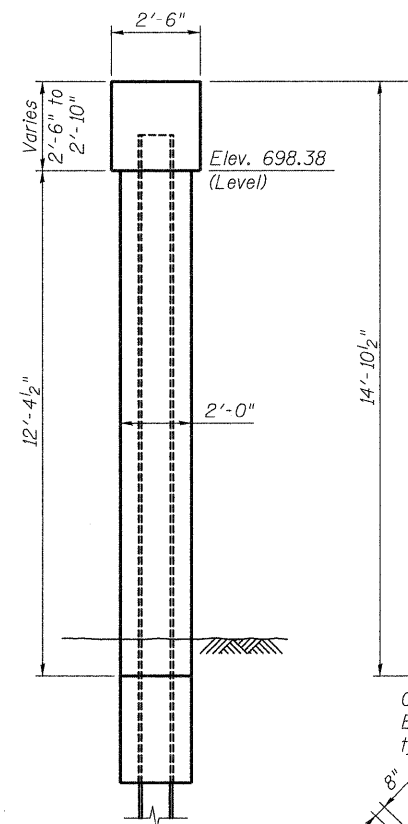
**TWO PIERS
BILL OF MATERIAL**

Bar	No.	Size	Length	Shape
h2(E)	52	#5	16'-9"	—
h3(E)	52	#5	20'-9"	—
p2(E)	20	#8	16'-9"	—
p3(E)	20	#8	20'-9"	—
p4(E)	4	#8	4'-11"	—
s4(E)	72	#6	10'-0"	□
u1(E)	16	#6	10'-10"	U
u2(E)	52	#5	8'-10"	U
u3(E)	12	#6	6'-8"	U
v4(E)	164	#5	14'-2"	—
Structure Excavation Cu. Yd. 72				
Concrete Structures Cu. Yd. 89.2				
Reinforcement Bars, Epoxy Coated Pound 8,420				
Furnishing Steel Piles, HP12x53 Foot 504				
Driving Piles Foot 504				
Test Pile Steel, HP12x53 Each 2				
Pile Shoes Each 16				
Underwater Structure Excavation Protection - Location 1 Each 1				
Underwater Structure Excavation Protection - Location 3 Each 1				
Concrete Encasement Cu. Yd. 5.6				

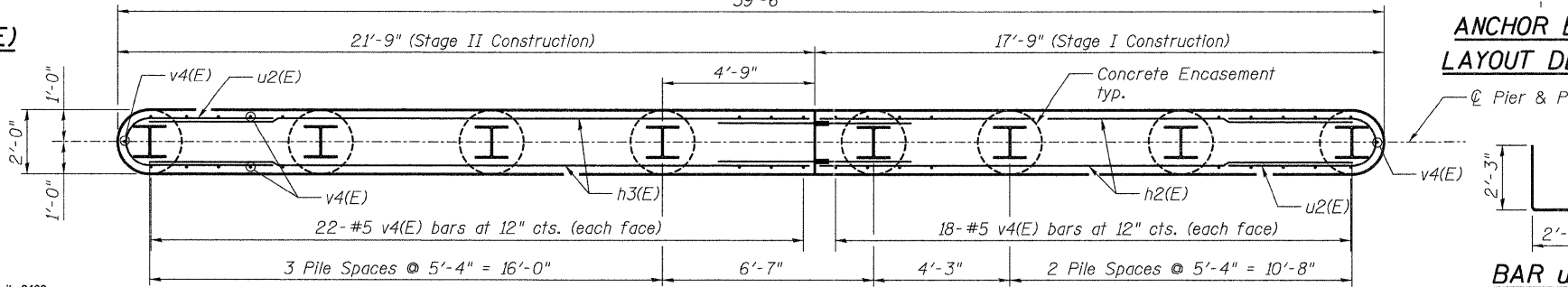


ELEVATION

(Looking South)
 (NB Pier 1 shown, SB Pier 1 Opposite Hand)
 39'-6"

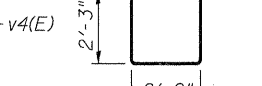
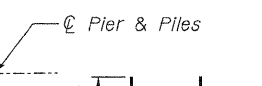


END VIEW

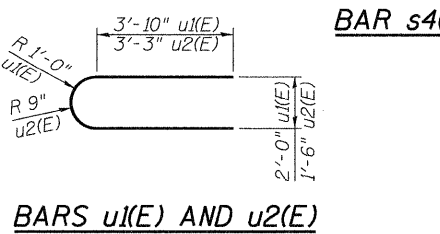


SECTION A-A

ANCHOR BOLT LAYOUT DETAIL



BAR u3(E)



BARS u1(E) AND u2(E)

BAR s4(E)



NOTES:

- If a portion of the pier wall or concrete encasement is under water, reinforcement may be placed underwater into forms. Concrete shall be tremied according to Article 503.08 of the Standard Specifications to an elevation of 1'-0" above the water line at time of construction.
- For details of piles and reinforcement of Concrete Encasement, see sheet S24 of S41.
- For details of Bar Splicers, see sheet S25 of S41.

benesch
 Alfred Benesch & Company
 205 North Michigan Avenue, Suite 2400
 Chicago, Illinois 60601
 312-565-0450 Job No. 3938.09

FILE NAME =	USER NAME = rgrimm	DESIGNED - JLS	REVISED -
0380222&0223_66948_022_pier1det.dgn	PLOT SCALE =	CHECKED - AAY	REVISED -
	PLOT DATE = 08/18/2011	DRAWN - RMG	REVISED -
		CHECKED - KJN	REVISED -

**STATE OF ILLINOIS
DEPARTMENT OF TRANSPORTATION**

**PIER 1 DETAILS
STRUCTURE NO. 038-02220223
SHEET NO. S22 OF S41 SHEETS**

F.A.I. RTE.	SECTION	COUNTY	TOTAL SHEETS	SHEET NO.
57	(38-8) BR & BR-1	IROQUOIS	73	37
				CONTRACT NO. 66948
ILLINOIS FED. AID PROJECT				

x:\3900s\3938\structures\1-57-ever-springcreek\final\plans\0380222&0223_66948_022_pier1det.dgn 08/18/2011