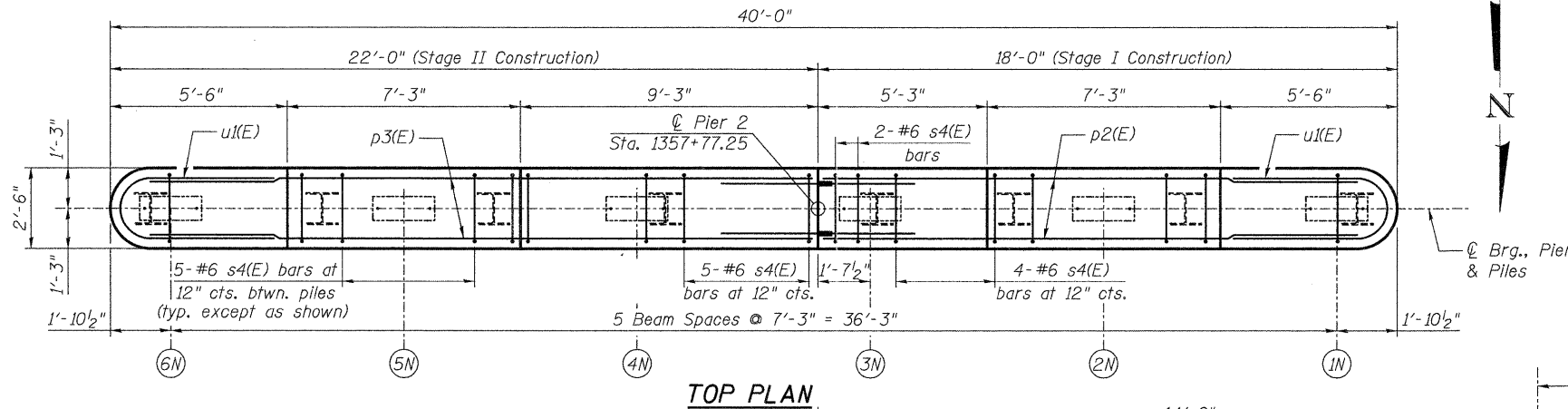


PILE DATA (SB)

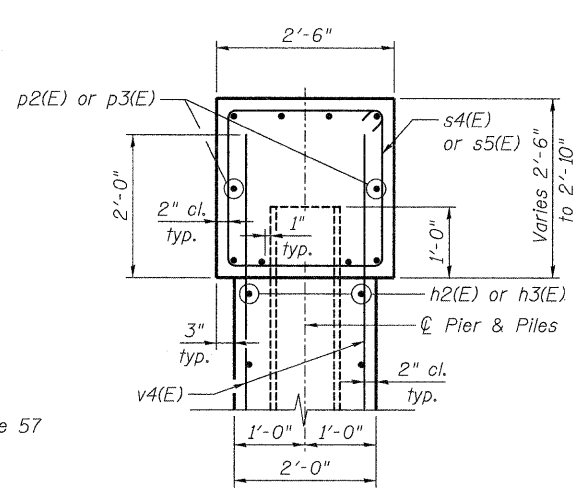
Type: HP12x53 with pile shoes
 Nominal Required Bearing: 296 kips
 Factored Resistance Available: 163 kips
 Est. Length: 36 feet
 No. Production Piles: 7
 No. Test Piles: 1

PILE DATA (NB)

Type: HP12x53 with pile shoes
 Nominal Required Bearing: 295 kips
 Factored Resistance Available: 163 kips
 Est. Length: 36 feet
 No. Production Piles: 7
 No. Test Piles: 1



TOP PLAN

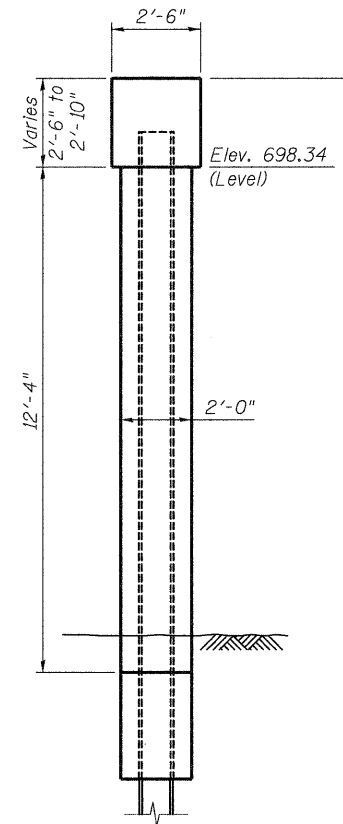


SECTION THRU CAP

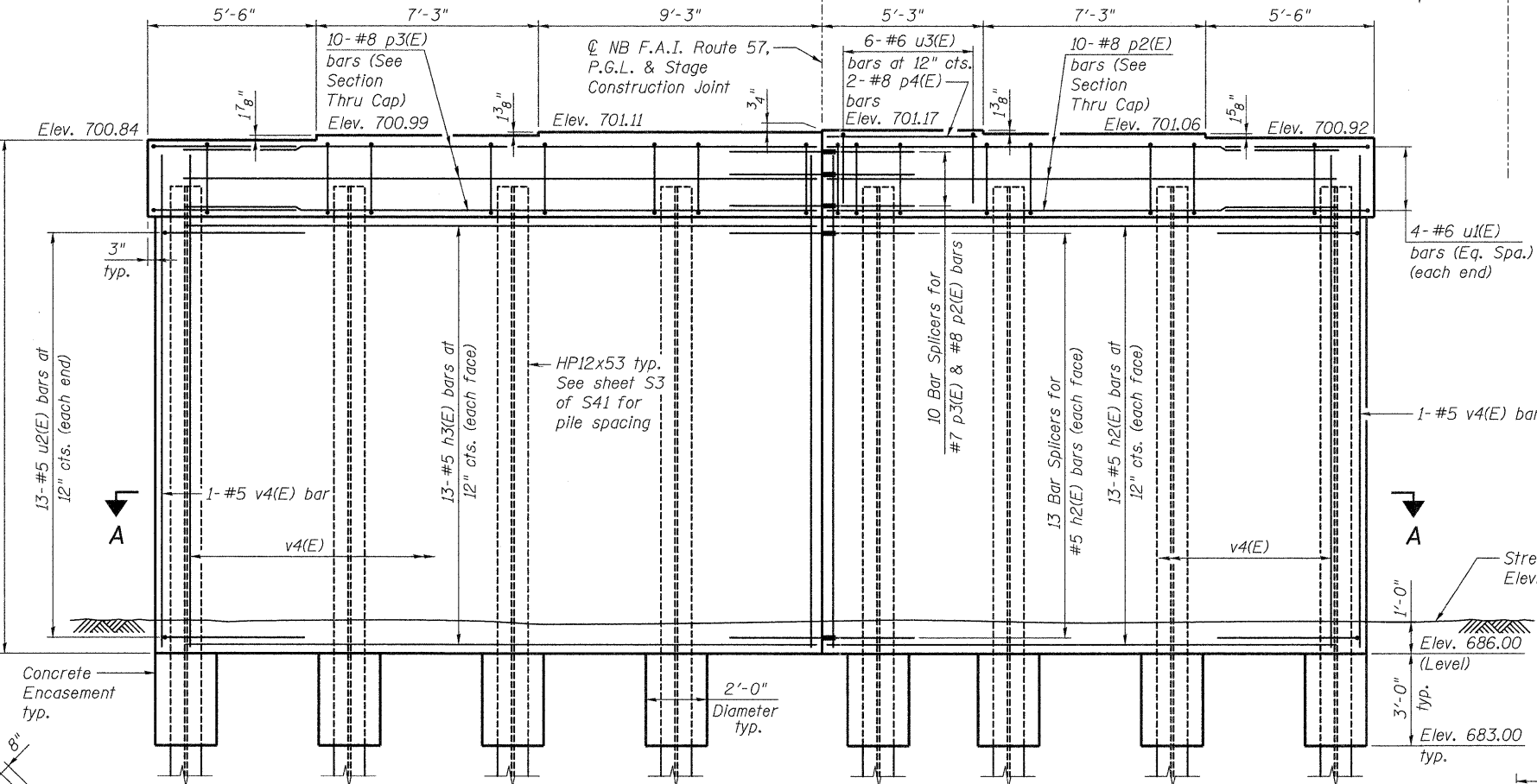
**TWO PIERS
BILL OF MATERIAL**

Bar	No.	Size	Length	Shape
h2(E)	52	#5	16'-9"	—
h3(E)	52	#5	20'-9"	—
p2(E)	20	#8	16'-9"	—
p3(E)	20	#8	20'-9"	—
p4(E)	4	#8	4'-11"	—
s4(E)	72	#6	10'-0"	□
u1(E)	16	#6	10'-10"	U
u2(E)	52	#5	8'-10"	U
u3(E)	12	#6	6'-8"	U
v4(E)	164	#5	14'-2"	—

Structure Excavation	Cu. Yd.	68
Concrete Structures	Cu. Yd.	89.0
Reinforcement Bars, Epoxy Coated	Pound	8,420
Furnishing Steel Piles, HP12x53	Foot	504
Driving Piles	Foot	504
Test Pile Steel, HP12x53	Each	2
Pile Shoes	Each	16
Underwater Structure Excavation Protection - Location 2	Each	1
Underwater Structure Excavation Protection - Location 4	Each	1
Concrete Encasement	Cu. Yd.	5.6

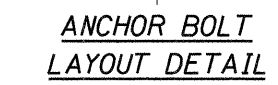


END VIEW

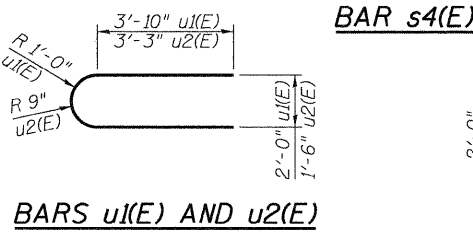


ELEVATION

(Looking South)
 (NB Pier 2 shown, SB Pier 2 Opposite Hand)
 39'-6"

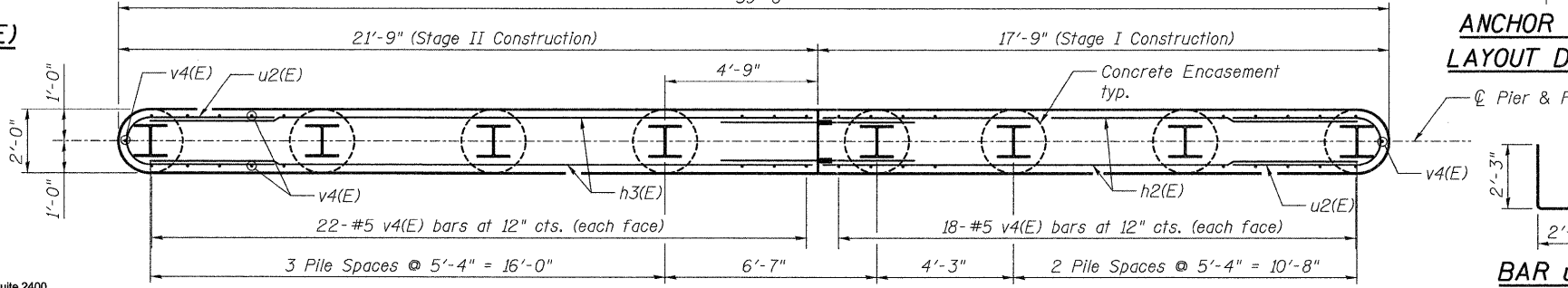


ANCHOR BOLT LAYOUT DETAIL



BARS u1(E) AND u2(E)

BAR s4(E)



SECTION A-A

BAR u3(E)

NOTES:

- If a portion of the pier wall or concrete encasement is under water, reinforcement may be placed underwater into forms. Concrete shall be tremied according to Article 503.08 of the Standard Specifications to an elevation of 1'-0" above the water line at time of construction.
- For details of piles and reinforcement of Concrete Encasement, see sheet S24 of S41.
- For details of Bar Splicers, see sheet S25 of S41.

benesch
 engineers · scientists · planners
 Alfred Benesch & Company
 205 North Michigan Avenue, Suite 2400
 Chicago, Illinois 60601
 312-565-0450 Job No. 3938.09

FILE NAME =	USER NAME = rgrmm	DESIGNED - JLS	REVISED -
8380222&0223.66948.023.pier2det.dgn		CHECKED - AAY	REVISED -
	PLOT SCALE =	DRAWN - RMG	REVISED -
	PLOT DATE = 08/18/2011	CHECKED - KJN	REVISED -

**STATE OF ILLINOIS
DEPARTMENT OF TRANSPORTATION**

**PIER 2 DETAILS
STRUCTURE NO. 038-0222/0223**
 SHEET NO. S23 OF S41 SHEETS

F.A.I. RTE. 57	SECTION (38-8) BR & BR-1	COUNTY IROQUOIS	TOTAL SHEETS 73	SHEET NO. 38
			CONTRACT NO. 66948	
ILLINOIS FED. AID PROJECT				

x:\3900s\3938\structures\1-57\over-springcreek\final\plans\0380222&0223.66948.023.pier2det.dgn 08/18/2011 08:51:16