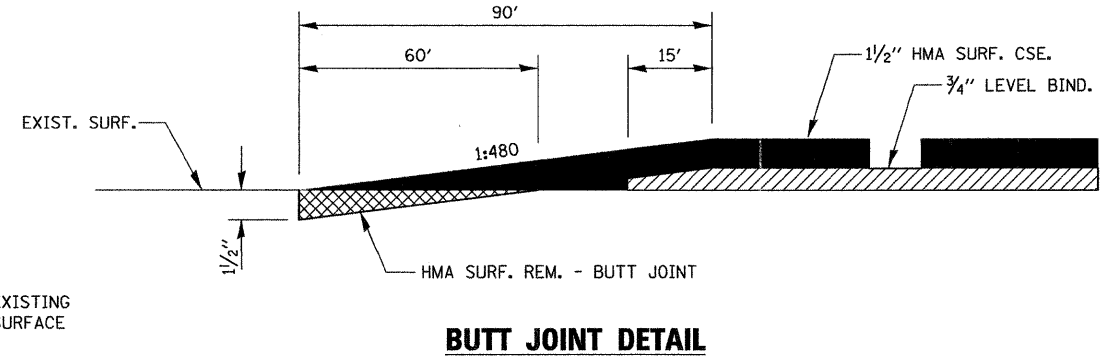
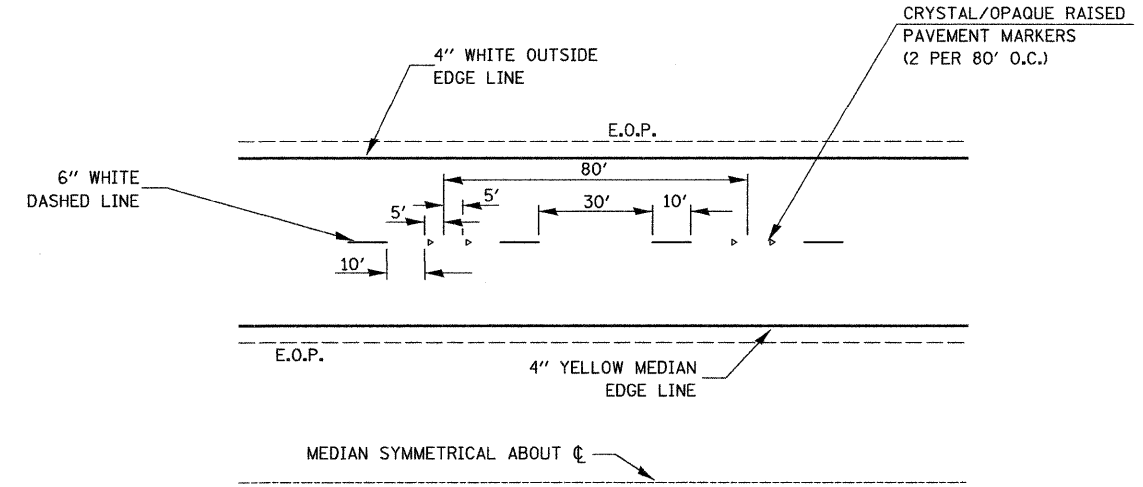


WHEN MILLING OPERATIONS PRODUCE A ROUNDED EDGE, THEN A SAW CUT SHALL BE USED TO MANUFACTURE A PERPENDICULAR EDGE AS SHOWN IN THE DETAIL. THE ENGINEER SHALL BE THE SOLE JUDGE CONCERNING THE USE OF THIS DETAIL.

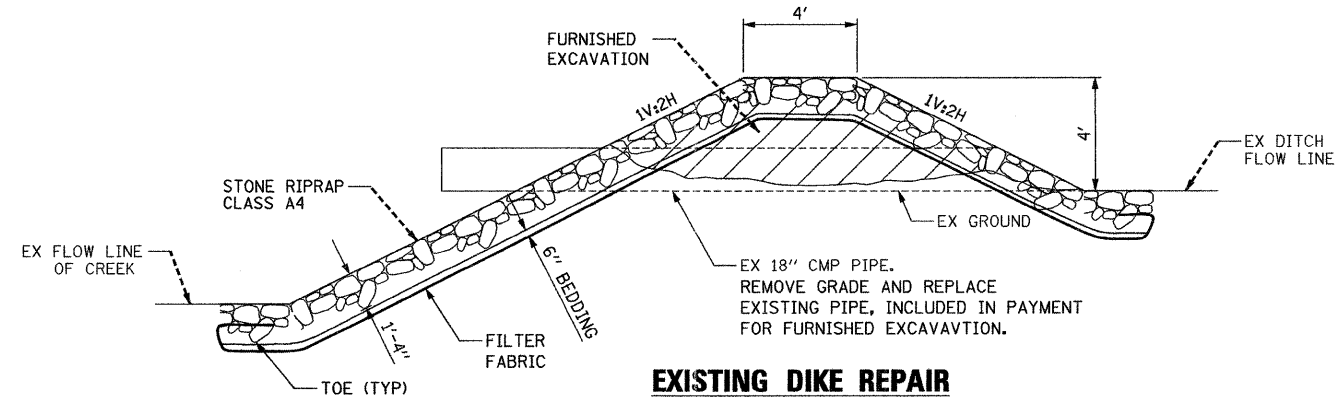
HMA DETAIL AT BUTT JOINTS



BUTT JOINT DETAIL

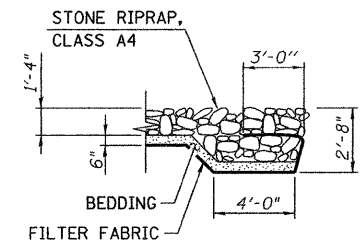


TYPICAL PAVEMENT MARKINGS



EXISTING DIKE REPAIR

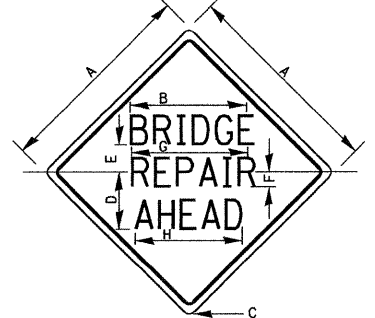
APPROX WIDTH IS 10'.
 APPROX LOCATIONS:
 FAI-57 STA 1357+12, 98' RT
 FAI-57 STA 1357+12, 120' LT
 FAI-57 STA 1357+92, 105' RT
 FAI-57 STA 1357+92, 132' LT



TOE DETAIL

(ALONG SIDES AND ENDS)

ILLINOIS STANDARD W21-1102



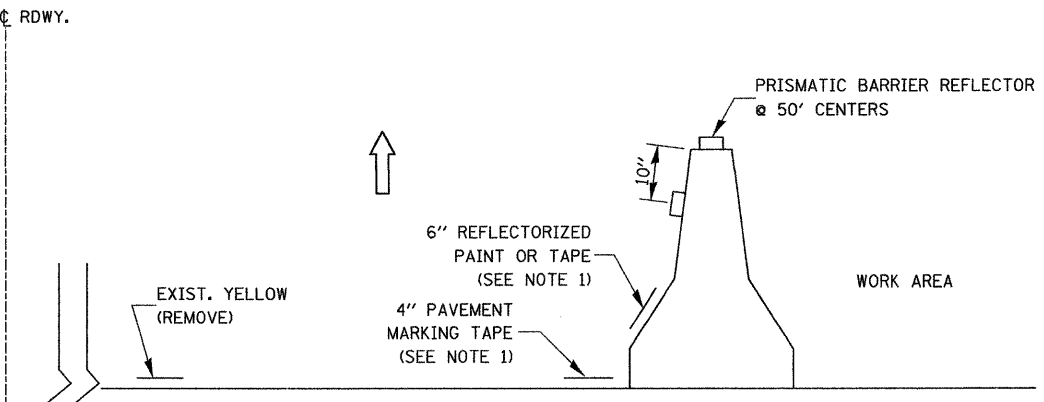
COLOR: LEGEND AND BORDER BLACK BACKGROUND ORANGE NON-REFLECTORIZED REFLECTORIZED

SIGN SIZE	DIMENSIONS							
	A	B	C	D	E	F	G	H
36 x 36	36.0	22.3	2.25	10.8	5.6	3.0	21.9	20.7
48 x 48	48.0	26.0	3.0	14.5	7.5	3.5	25.5	24.1

SIGN SIZE	SERIES LINES			MARGIN	BORDER	BLANK STD.
	1	2	3			
	36 x 36	5C	5C			
48 x 48	7C	7C	7C	0.8	1.2	B4-48D

ALL DIMENSIONS IN INCHES.

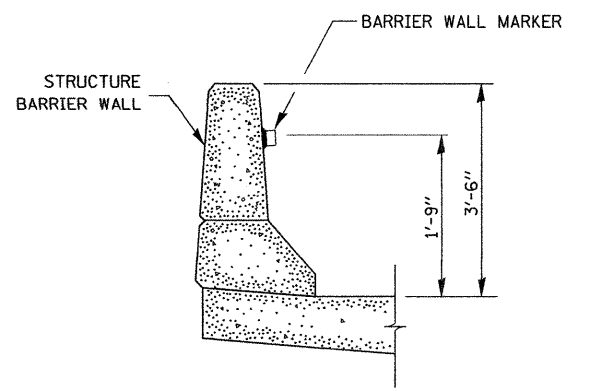
SIGN DETAIL AT BRIDGE



NOTES:

1. THE CONTRACTOR HAS THE OPTION OF USING EITHER THE LINE ON THE TEMPORARY CONCRETE BARRIER OR ON THE PAVEMENT.
2. THE COLOR OF THE REFLECTORS AND PAVEMENT/BARRIER MARKING LINE WILL VARY WITH STAGING AND SHALL MATCH THE EXISTING LINE IN THE WORK AREA.
3. THE COST OF THE REFLECTORS AND THE PAVEMENT/BARRIER MARKING LINE IS INCLUDED IN THE COST OF THE TEMPORARY CONCRETE BARRIER.

TEMPORARY BARRIER REFLECTOR DETAIL



BARRIER WALL MARKER

benesch
 engineers - scientists - planners
 Alfred Benesch & Company
 205 North Michigan Avenue, Suite 2400
 Chicago, Illinois 60601
 312-565-0450
 Job No. 3938.08