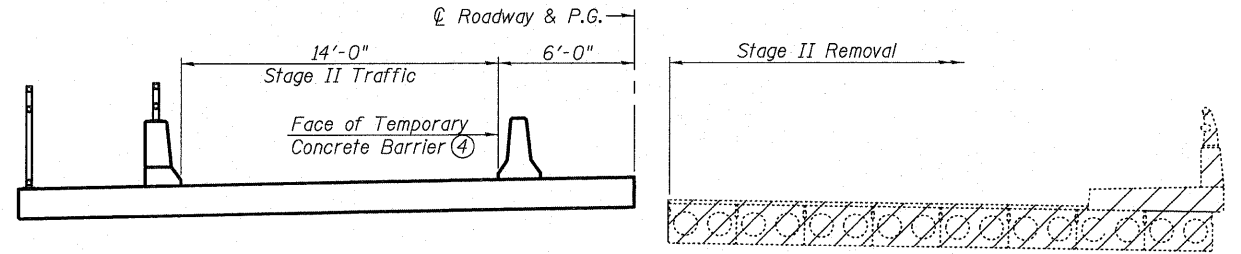
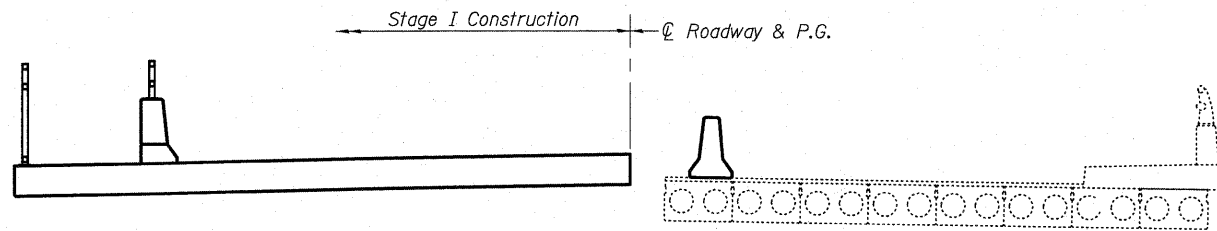


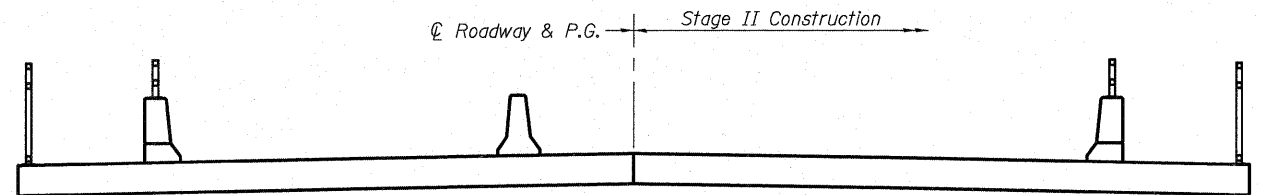
STAGE I REMOVAL ①



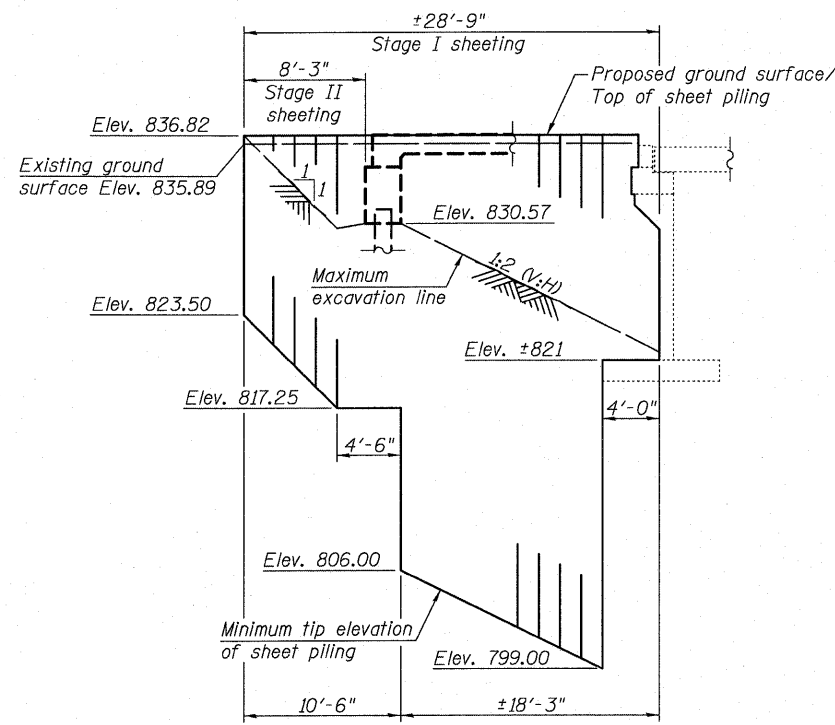
STAGE II REMOVAL ①



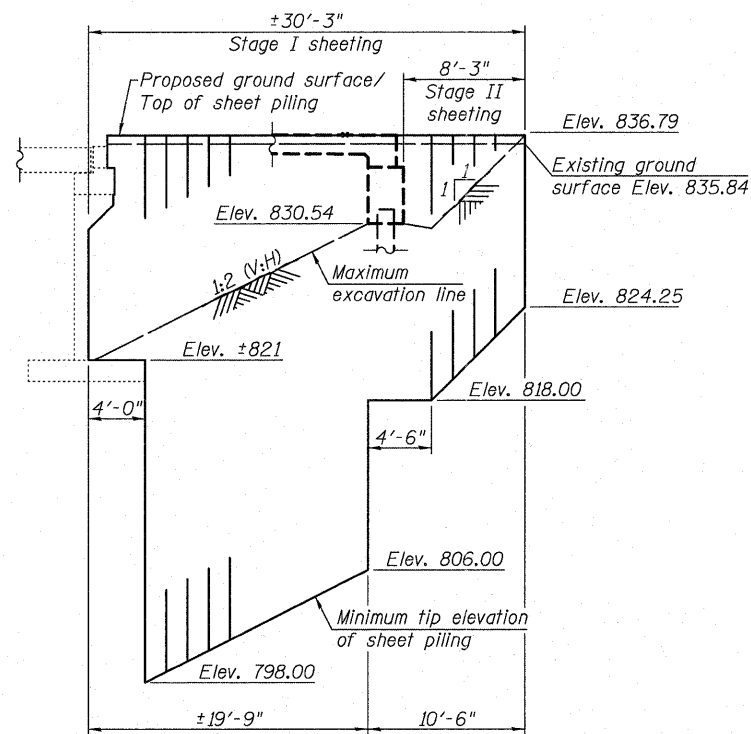
STAGE I CONSTRUCTION ①



STAGE II CONSTRUCTION ①



WEST ABUTMENT
Minimum Section
Modulus = 48 in³/ft



EAST ABUTMENT
Minimum Section
Modulus = 51 in³/ft

TEMPORARY SHEET PILING DETAIL ②③

Notes:

- ① All views shown looking east.
- ② If the Contractor chooses to alter the temporary cantilevered sheet piling design requirements shown on the plans, a design submittal including plan details and calculations will be required for review and acceptance by the Engineer.
- ③ The Contractor shall connect the first sheet to the existing abutment wall to ensure stability of sheets driven to the top of the existing footing. This connection shall be reviewed and accepted by the Engineer and included in the cost for Temporary Sheet Piling.
- ④ For details of Temporary Concrete Barrier, see sheet 4 of 20. For quantity of Temporary Concrete Barrier, see Roadway Plans.



ILLINOIS
Fidelity Business Center 1
100 Lamar Court, Suite 1
Columbia, IL 62204
Tel: 618.342.2200
Fax: 618.342.7329
www.datesassociates.com

MISSOURI
Lynch Gas Building
720 Olive, Suite 1000
St. Louis, MO 63101
Tel: 314.268.8381
Fax: 314.268.9529

USER NAME =
PLOT SCALE =
PLOT DATE =

DESIGNED - JAD
CHECKED - SJN
DRAWN - JAD
CHECKED - SJN

REVISED -
REVISED -
REVISED -
REVISED -

**STATE OF ILLINOIS
DEPARTMENT OF TRANSPORTATION**

**STAGE CONSTRUCTION DETAILS
STRUCTURE NO. 019-0048**

SHEET NO. 3 OF 20 SHEETS

F.A.P. RTE.	SECTION	COUNTY	TOTAL SHEETS	SHEET NO.
307	126(B)-1(BR)	DEKALB	62	21
				CONTRACT NO. 66987
ILLINOIS FED. AID PROJECT				