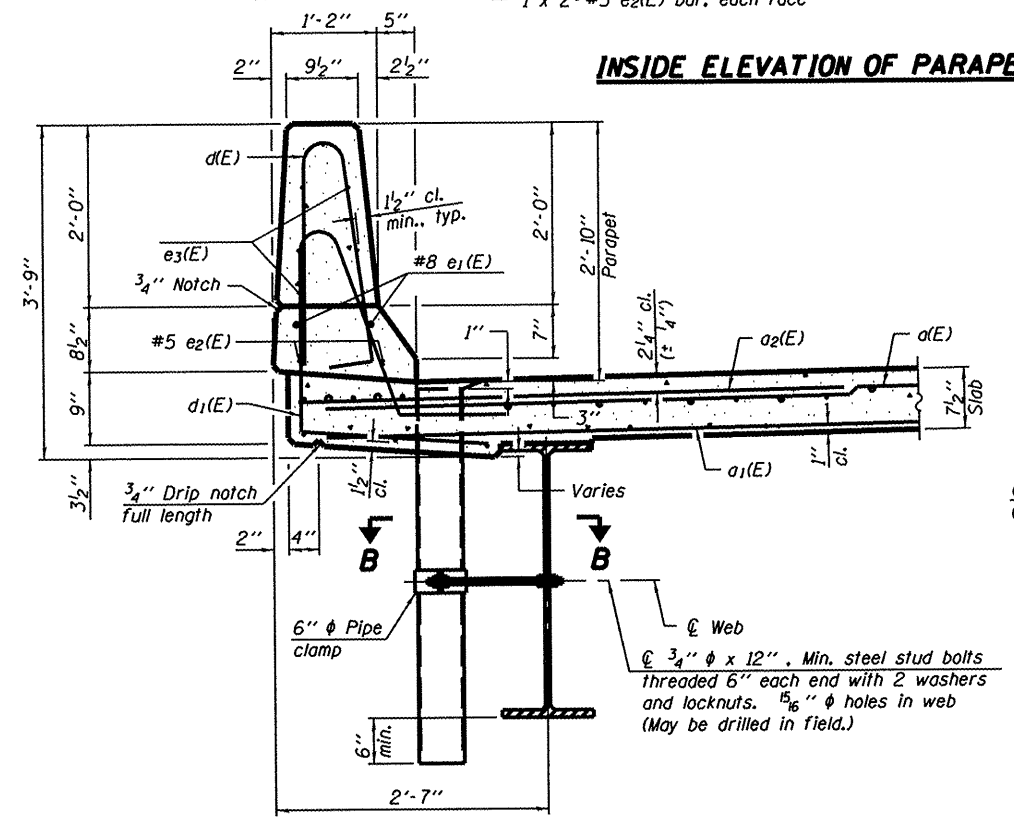


Note:
All edges shall have 3/4" chamfer.

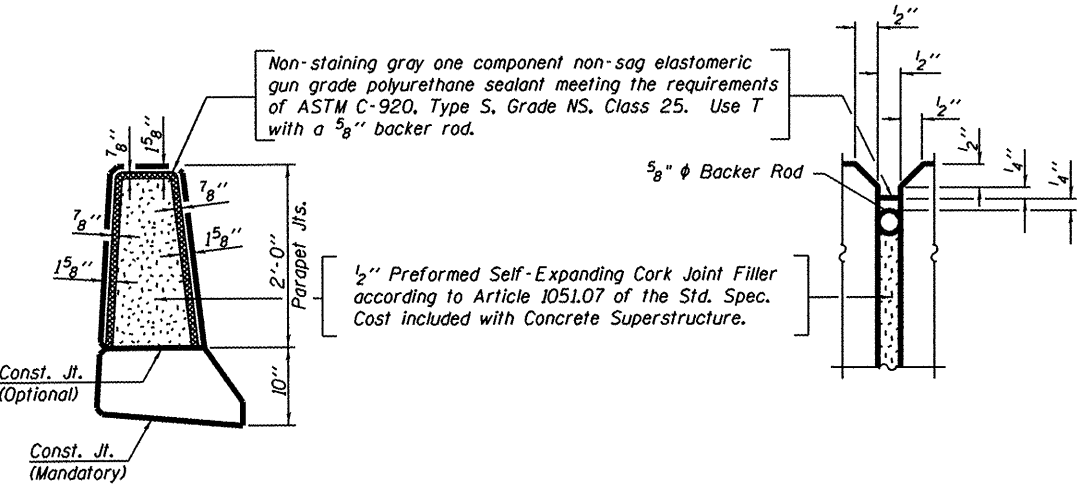
MIN. BAR LAPS

- #4 bar = 1'-4"
- #5 bar = 1'-8"
- #8 bar = 3'-5"

INSIDE ELEVATION OF PARAPET



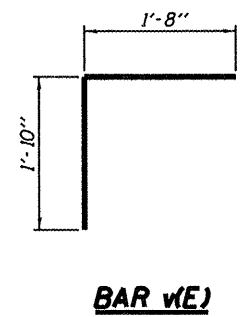
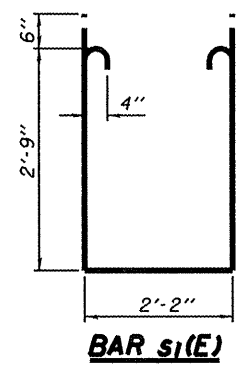
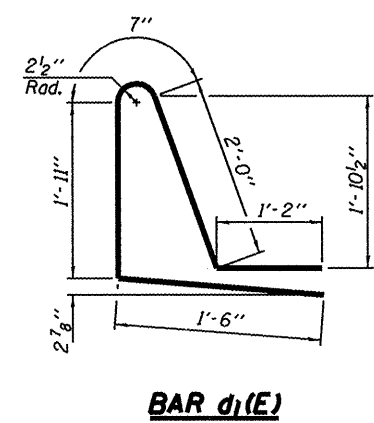
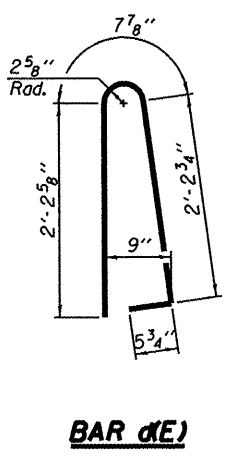
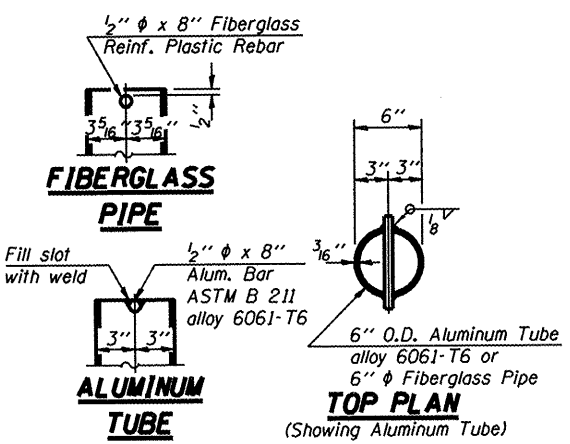
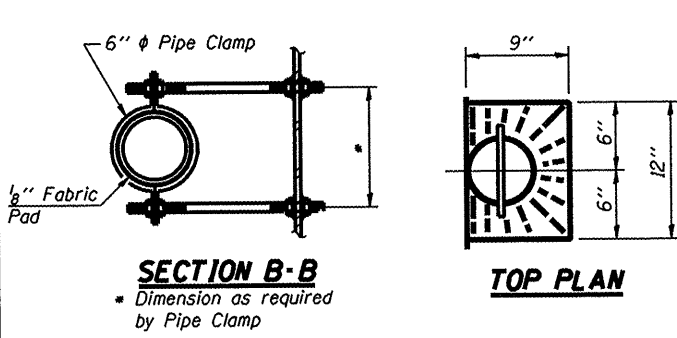
Non-staining gray one component non-sag elastomeric gun grade polyurethane sealant meeting the requirements of ASTM C-920, Type S, Grade NS, Class 25. Use T with a 5/8" backer rod.



PARAPET JOINT DETAILS

Notes:
Floor drains need not be painted.
Fiberglass pipe shall conform to ASTM D 2996, with short-time rupture strength hoop tensile stress of 30,000 p.s.i. minimum.

SECTION THRU PARAPET



SUPERSTRUCTURE BILL OF MATERIAL

Bar	No.	Size	Length	Shape
a1(E)	202	#5	17'-1"	—
a2(E)	152	#5	16'-9"	—
a3(E)	102	#6	4'-6"	—
a4(E)	8	#5	17'-3"	—
b1(E)	80	#5	32'-2"	—
b2(E)	96	#5	22'-0"	—
m1(E)	8	#6	16'-6"	—
m2(E)	12	#6	17'-3"	—
m3(E)	24	#6	8'-2"	—
m4(E)	8	#6	5'-9"	—
m5(E)	4	#6	2'-3"	—
m6(E)	4	#6	2'-8"	—
d1(E)	144	#5	5'-7"	┌
d2(E)	144	#5	7'-2"	└
e1(E)	12	#8	23'-2"	—
e2(E)	8	#5	32'-2"	—
e3(E)	56	#4	15'-4"	—
s1(E)	76	#5	6'-10"	┌
s2(E)	62	#4	8'-8"	└
w(E)	68	#5	3'-6"	—
Reinforcement Bars, Epoxy Coated		Pound		17,530
Concrete Superstructure		Cu. Yds.		89.9

Reinforcement bars designated (E) shall be epoxy coated.
Bars indicated thus 1 x -#5 etc. indicates 1 line of bars with lengths per line.

