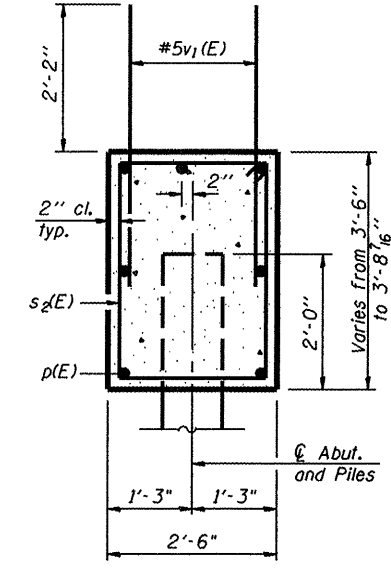
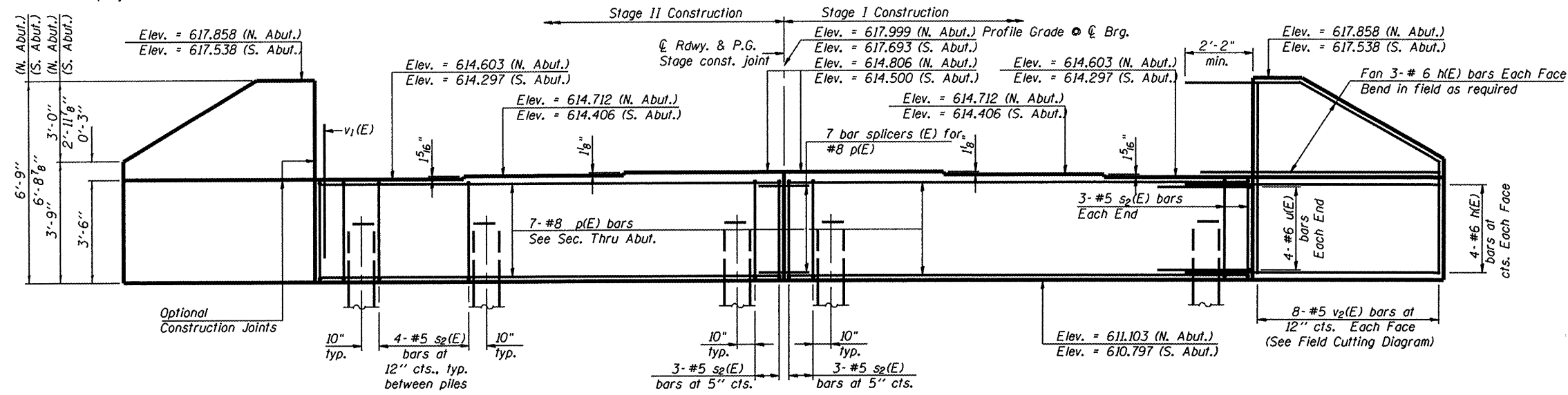
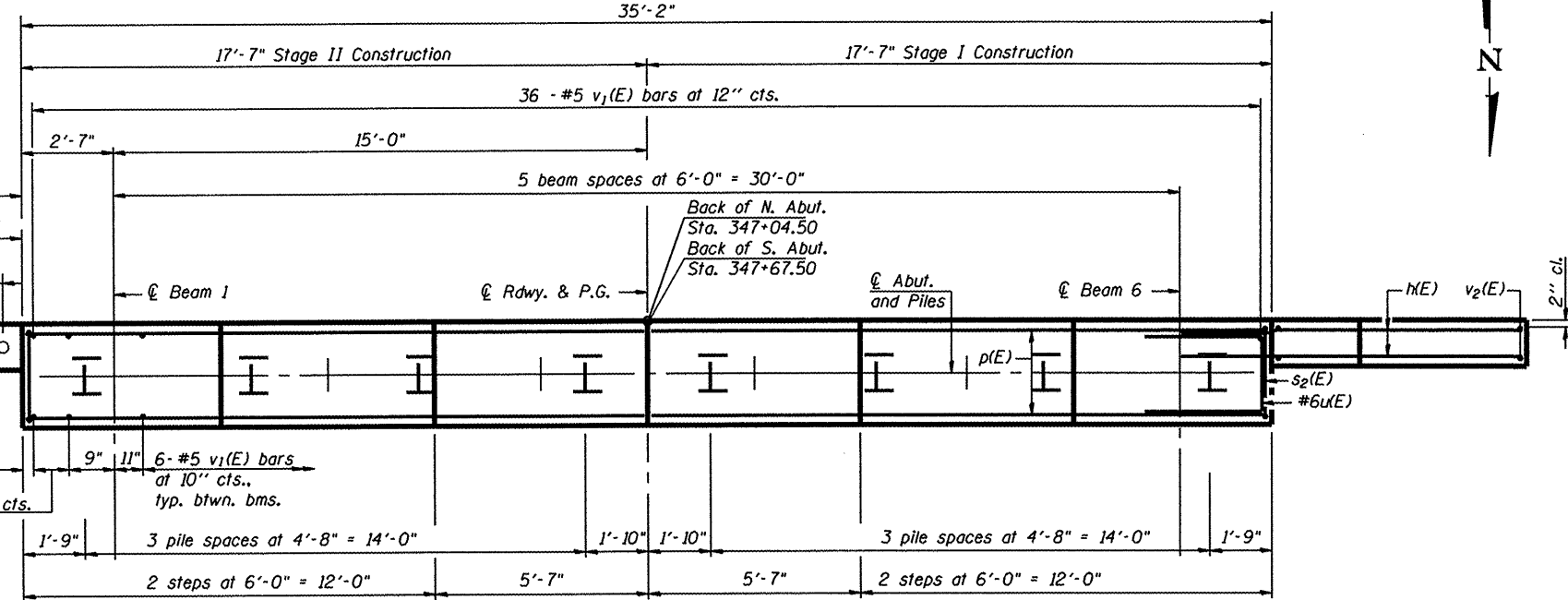


Notes: Four steps monolithically with cap.  
Reinforcement bars designated (E)  
shall be epoxy coated.



**PILE DATA**

Type & Size: Steel HP 10x42  
Nominal Required Bearing: 334 kips  
Allowable Resistance Available: 111 kips  
Est. Length: 35 Ft.  
No. Required: 14+2 Test Piles



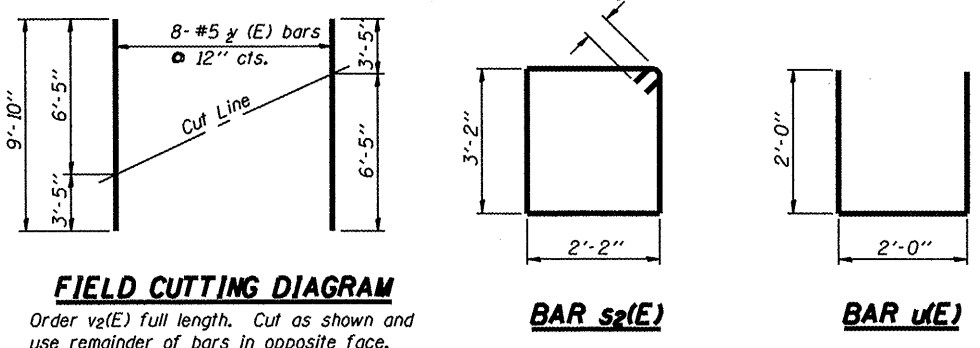
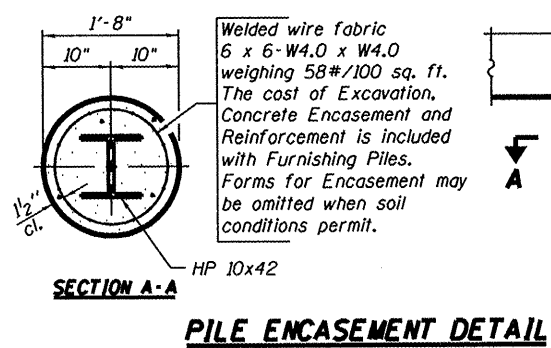
**MIN. BAR LAPS**

#4 bar = 1'-4"  
#5 bar = 1'-8"  
#6 bar = 2'-0"

**BILL OF MATERIAL TWO ABUTMENTS**

| Bar                              | No.     | Size | Length | Shape |
|----------------------------------|---------|------|--------|-------|
| h(E)                             | 56      | #6   | 10'-8" | —     |
| p(E)                             | 28      | #8   | 17'-3" | —     |
| s <sub>2</sub> (E)               | 72      | #5   | 11'-7" | □     |
| u(E)                             | 16      | #6   | 6'-0"  | ┌     |
| v <sub>1</sub> (E)               | 144     | #5   | 4'-4"  | —     |
| v <sub>2</sub> (E)               | 32      | #5   | 9'-10" | —     |
| Concrete Structures              | Cu. Yd. | 30.0 |        |       |
| Reinforcement Bars, Epoxy Coated | Pound   | 4180 |        |       |
| Structure Excavation             | Cu. Yd. | 138  |        |       |
| Furnish Steel Piles HP10x42      | Foot    | 490  |        |       |
| Driving Piles                    | Foot    | 490  |        |       |
| Test Pile Steel HP10x42          | Each    | 2    |        |       |

Notes:  
Space reinforcement in cap to miss anchor bolts.  
Reinforcement bars designated (E) shall be epoxy coated.  
Four steps monolithically with cap. See sheet 11 of 15 for bar splicer details.



|                     |                      |            |           |                                                           |                                                                           |                 |                           |                  |                    |              |                           |
|---------------------|----------------------|------------|-----------|-----------------------------------------------------------|---------------------------------------------------------------------------|-----------------|---------------------------|------------------|--------------------|--------------|---------------------------|
| FILE NAME : #FILEL* | USER NAME : #USER*   | DESIGNED - | REVISED - | <b>STATE OF ILLINOIS<br/>DEPARTMENT OF TRANSPORTATION</b> | <b>NORTH AND SOUTH ABUTMENTS<br/>IL 94 OVER DIXON CREEK S.N. 036-0054</b> | F.A.P. RTE. 534 | SECTION 109B (BR2)        | COUNTY HENDERSON | TOTAL SHEETS 88    | SHEET NO. 50 |                           |
|                     | PLOT SCALE : #SCALE* | CHECKED -  | REVISED - |                                                           |                                                                           | SCALE:          | SHEET NO. 10 OF 15 SHEETS | STA. 347+36      | CONTRACT NO. 68083 |              | ILLINOIS FED. AID PROJECT |
|                     |                      | DATE -     | REVISED - |                                                           |                                                                           |                 |                           |                  |                    |              |                           |
|                     |                      |            |           |                                                           |                                                                           |                 |                           |                  |                    |              |                           |